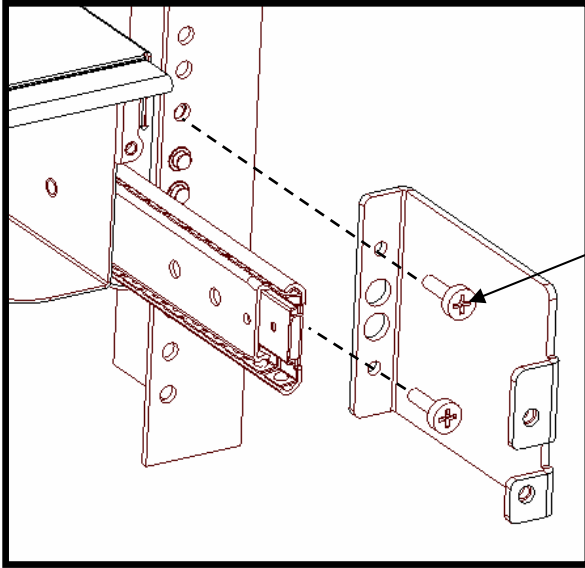


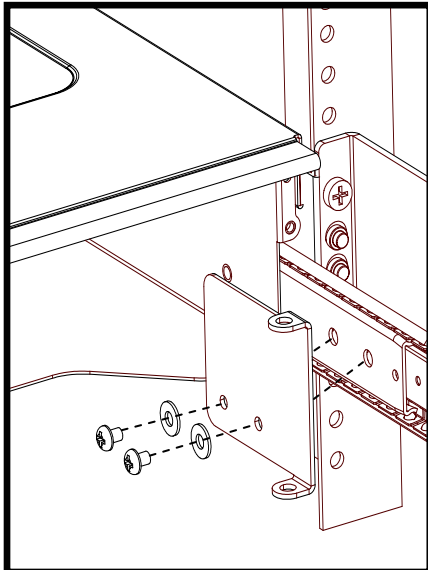
Cable Carrier Installation Instructions

Step 1.



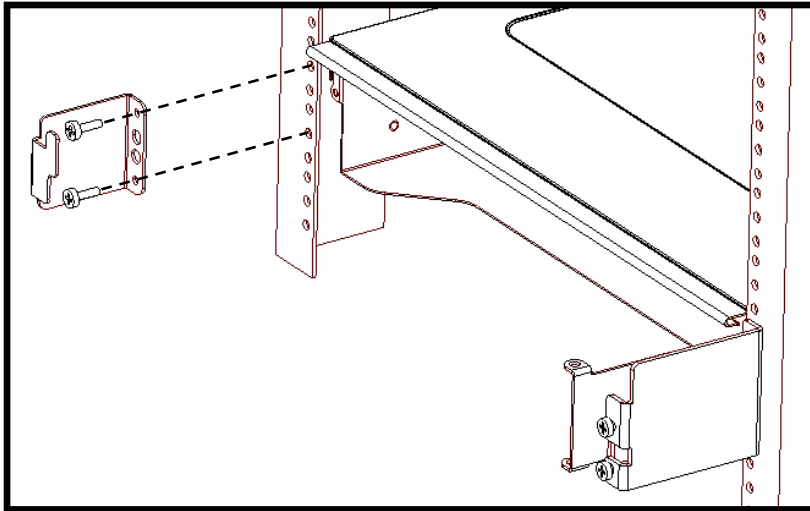
Remove the #10-32 screws from the rear attachment points of the rail kit as shown and use them to install the Rack Extension Bracket.

Step 2.



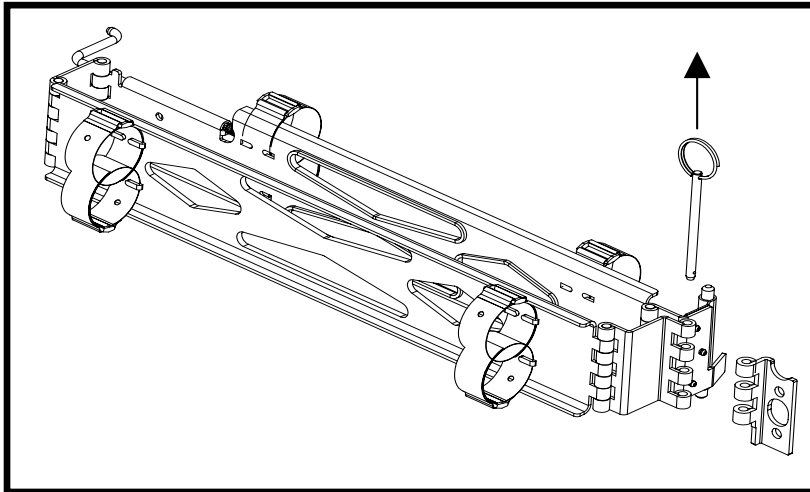
Attach the Rail Kit Attachment Bracket to the inner member of the chassis rail kit using the two ¼ inch long pan head machine screws and washers.

Step 3.



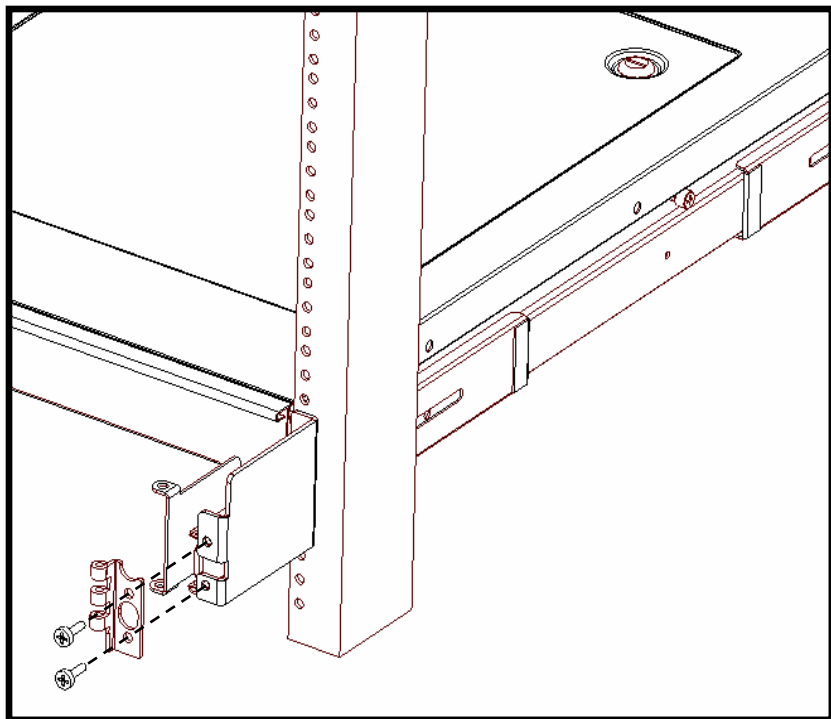
Remove the #10-32 screws from the rear attachment points of the rail kit as shown and use them to install the Cable Carrier Arm Stop Bracket.

Step 4.



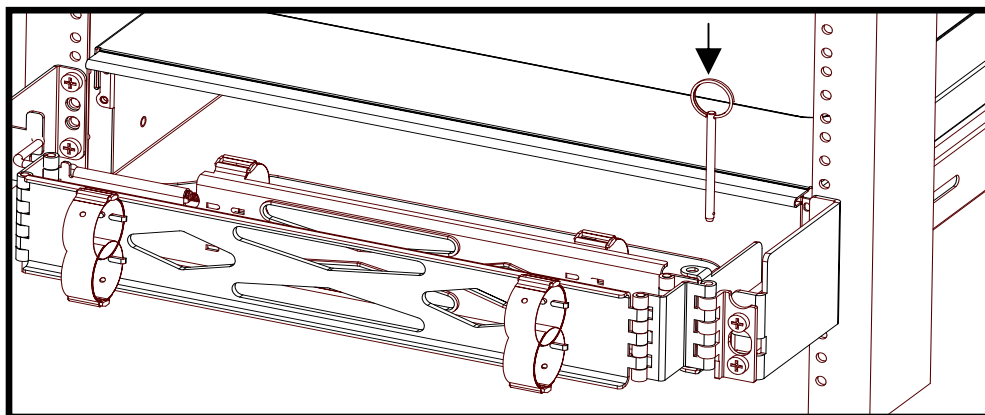
Pull the pin from the Cable Carrier assembly as shown and remove the attachment bracket.

Step 5.



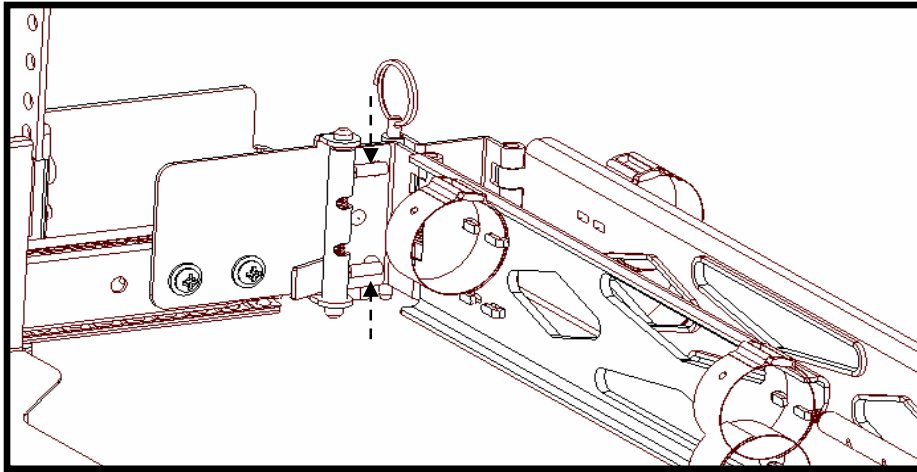
Assemble the Cable Carrier attachment bracket to the Rack Extension Bracket with two #10-32 screws from the Cable Carrier Kit.

Step 6.



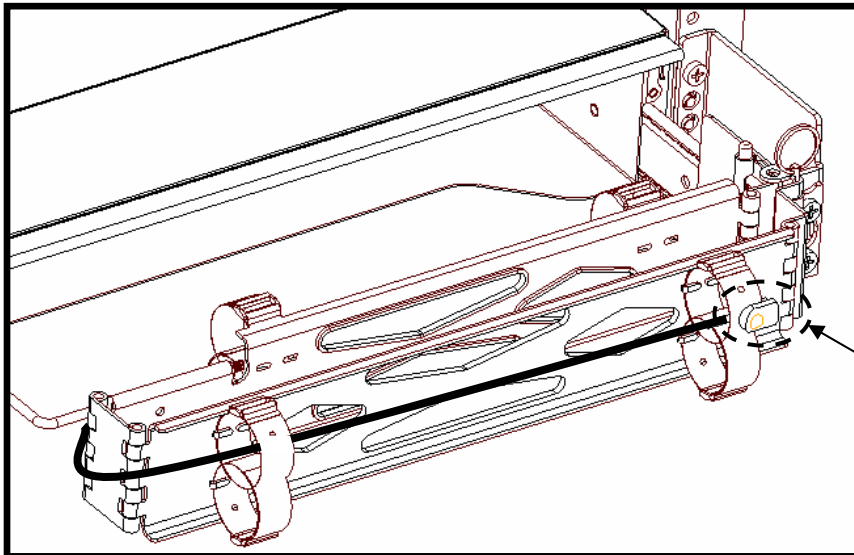
Install the Cable Carrier assembly as shown to the attachment bracket with the pin removed in Step # 4.

Step 7.



Depress the spring loaded pins to snap the front arm of the Cable Carrier to the Rail Kit Attachment Bracket.

Rear Status Indicator LED



Locate Rear Status Indicator LED as shown attached to the velcro strap so that the LED is visible from the rear of the unit.