

Intel® Server Chassis and Platform Bracket Kit Installation Guide

**For Intel® Server Chassis and Platforms SR1400,
SR1400JR2, SR1435VP2, SR2400, and SR2400JR2**

Order Number: C78599-001



Disclaimer

Information in this document is provided in connection with Intel® products. No license, express or implied, by estoppel or otherwise, to any intellectual property rights is granted by this document. Except as provided in Intel's Terms and Conditions of Sale for such products, Intel assumes no liability whatsoever, and Intel disclaims any express or implied warranty, relating to sale and/or use of Intel products including liability or warranties relating to fitness for a particular purpose, merchantability, or infringement of any patent, copyright or other intellectual property right. Intel products are not designed, intended or authorized for use in any medical, life saving, or life sustaining applications or for any other application in which the failure of the Intel product could create a situation where personal injury or death may occur. Intel may make changes to specifications and product descriptions at any time, without notice.

Intel is a registered trademark of Intel Corporation or its subsidiaries in the United States and other countries.

* Other names and brands may be claimed as the property of others.

Copyright © 2004 Intel Corporation. All Rights Reserved.

Contents

Safety Guidelines	5
Installation Precautions	5
Bracket Kit Installation Procedures.....	7
Required Tools.....	7
Kit Contents.....	7
Mounting in a Four-Post Rack System.....	8
Remove the Chassis Handles	8
Attach Brackets to Chassis	9
Attach Disks to Chassis.....	10
Attach Brackets to Rear Posts	11
Install Chassis in Rack	12
Install Chassis Handles	14
Mid-Mounting in a Two-Post Rack System	15
Remove the Chassis Handles	15
Attach Brackets to Chassis	16
Attach L Brackets to Center Posts	17
Install Chassis in Rack	18
Front-Mount-Only in a Two-Post Rack System.....	20
Remove the Chassis Handles	20
Attach Brackets to Chassis	21
Attach L Brackets to Center Posts	22
Install Chassis in Rack	23
Install Chassis Handles	25

Figures

Figure 1. Fastener Pack Contents	7
Figure 2. Removing a Handle from the Chassis	8
Figure 3. Installing a Chassis Bracket in the Front-mount Position.....	9
Figure 4. Attaching a Chassis Disk to the Chassis	10
Figure 5. Attaching a Rear Bracket to a Rear Post.....	11
Figure 6. Installing the Chassis in the Rear Brackets	12
Figure 7. Attaching a Front Bracket to a Front Post.....	13
Figure 8. Attaching a Chassis Handle to a Front Post	14
Figure 9. Removing a Handle from the Chassis	15
Figure 10. Installing a Chassis Bracket in the Mid-mount Position	16
Figure 11. Attaching an L Bracket to a Center Post.....	17
Figure 12. L Brackets Inserted into Chassis Mounting Brackets (Front View)	18
Figure 13. Installing the Chassis in the Rack	19
Figure 14. Removing a Handle from the Chassis	20
Figure 15. Installing a Chassis Bracket in the Front-mount Position.....	21
Figure 16. Attaching an L Bracket to a Center Post.....	22
Figure 17. L Brackets Inserted into Chassis Mounting Brackets (Rear View).....	23
Figure 18. Installing the Chassis in the Rack	24
Figure 19. Attaching a Chassis Handle to a Front Post	25

Safety Guidelines

Installation Precautions

WARNINGS

SERVER POWER ON/OFF: The push-button on/off power switch on the front panel of the server does not turn off the AC power. To remove AC power from the server, you must unplug the AC power cord from either the power supply or wall outlet.

HAZARDOUS CONDITIONS—POWER SUPPLY: Hazardous voltage, current, and energy levels are present inside the power supply enclosure. There are no user-serviceable parts inside it; servicing should only be done by technically qualified personnel.

HAZARDOUS CONDITIONS—DEVICES AND CABLES: Hazardous electrical conditions may be present on power, telephone, and communication cables. Turn off the server and disconnect telecommunications systems, networks, modems, and the power cord attached to the server before opening it. Otherwise, personal injury or equipment damage can result.

AVOID INJURY: Lifting the server chassis and attaching it to the rack is a two-person job. If needed, use an appropriate lifting device. A fully loaded SR1400 server weighs approximately 13.9 kg (30.6 lbs.) and a fully loaded SR2400 server weighs approximately 23.4 kg (51.5 lbs.).

CAUTIONS

Temperature: The operating temperature of the server, when installed in an equipment rack, must not go below 5 °C (41 °F) or rise above 35 °C (95 °F). Extreme fluctuations in temperature can cause a variety of problems in your server.

- **Ventilation:** The equipment rack must provide sufficient airflow to the front of the server to maintain proper cooling.

Bracket Kit Installation Procedures

This bracket kit allows you to install the following chassis and server platform in most four-post rack and cabinet systems.

- SR1400 1U chassis
- SR1400JR2 1U server platform
- SR1435VP2 1U server platform
- SR2400 2U chassis
- SR2400JR2 2U server platform

⇒ NOTE

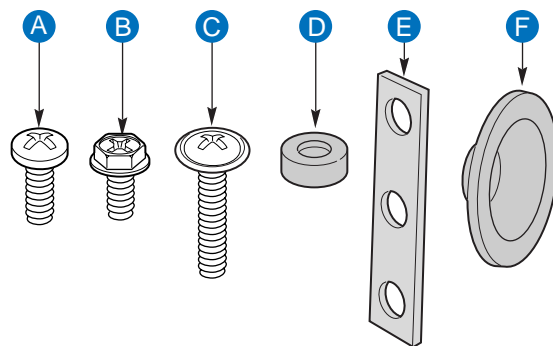
The illustrations show the SR1400 1U chassis, but the instructions apply to each chassis and system listed above.

Required Tools

- Cross (Phillips*) screwdriver

Kit Contents

- Chassis brackets—qty. 2
- Rear brackets—qty. 2
- L brackets—qty. 2
- Fastener pack—qty. 1



TP01006

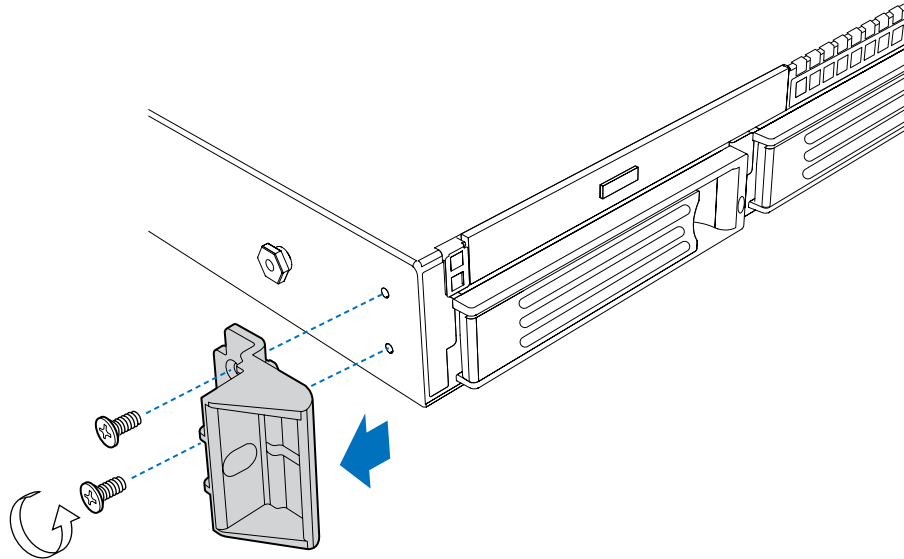
- A. Screw, #10-32 x 1/2-inch—qty. 8
- B. Screw, hex head—qty. 6
- C. Screw, #10-32 x 7/8-inch—qty. 2
- D. Handle spacers—qty. 2
- E. Nut bar—qty. 4
- F. Chassis disks—qty. 2

Figure 1. Fastener Pack Contents

Mounting in a Four-Post Rack System

Remove the Chassis Handles

1. Remove two screws (Figure 2) from each handle.
2. Set the handles and screws aside for reattachment later.

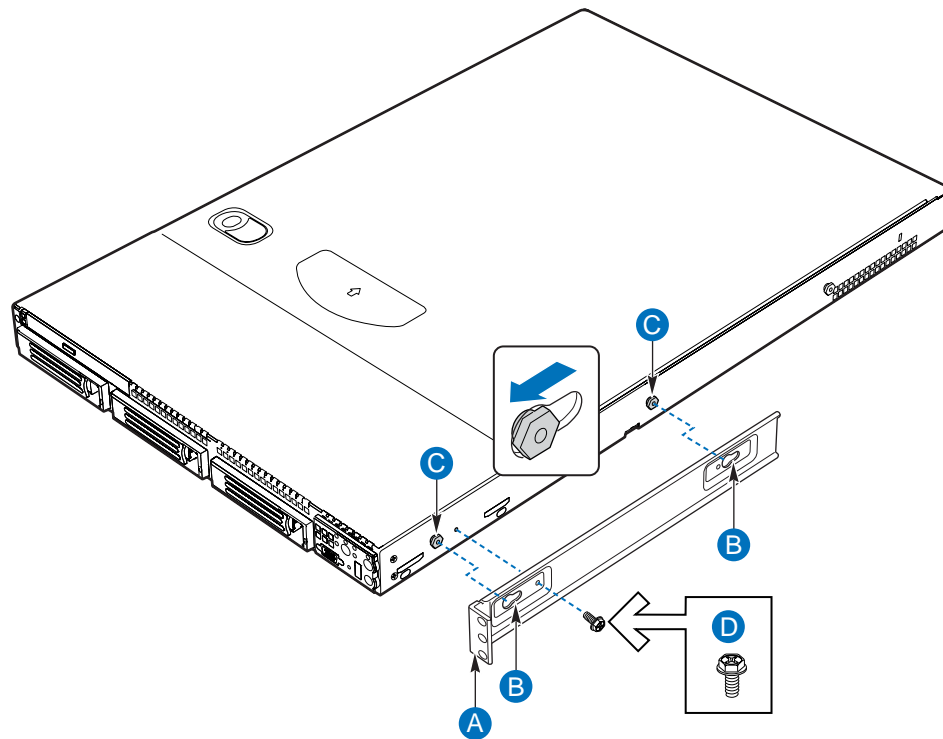


TP01007

Figure 2. Removing a Handle from the Chassis

Attach Brackets to Chassis

1. Place a chassis bracket along one side of the chassis in the front-mount position (Figure 3, A).
2. Align the holes (B) in the bracket with the tabs (C) on the chassis and place the bracket against the chassis.
3. Slide the bracket as far as it will go toward the front of the chassis.
4. Fasten the bracket to the chassis using screw (D).
5. In the same manner, attach a chassis bracket to the other side of the chassis.



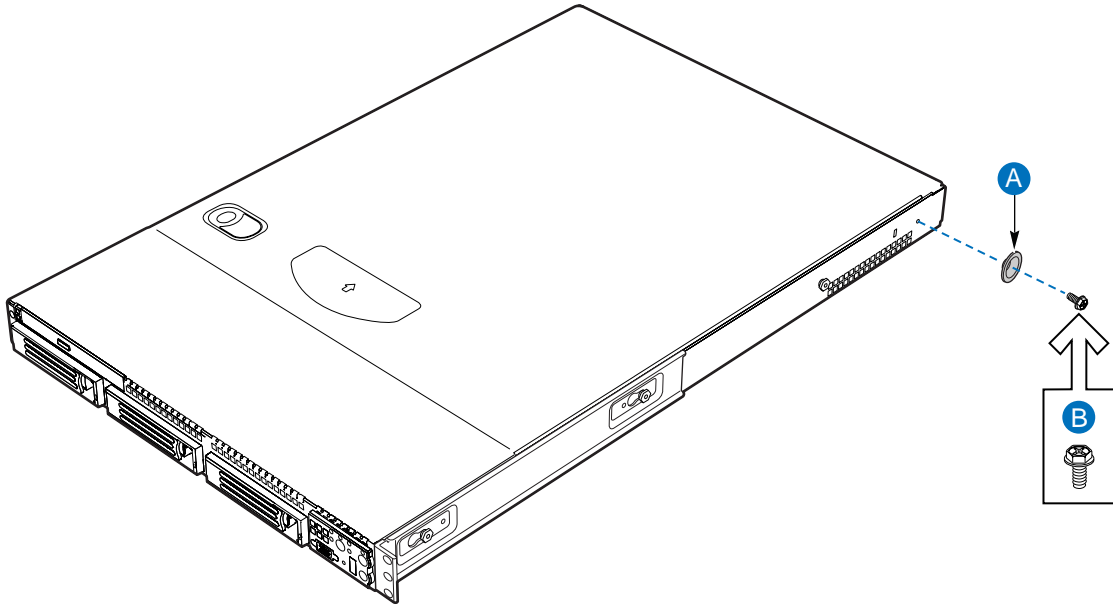
TP01008

- A. Chassis bracket in front-mount position
- B. Bracket holes
- C. Chassis tabs
- D. Hex head screw

Figure 3. Installing a Chassis Bracket in the Front-mount Position

Attach Disks to Chassis

1. Place a chassis disk at the side of the chassis towards the rear (see Figure 4, A).
2. Install screw (B) and tighten.
3. In the same manner, attach a chassis disk to the opposite side of the chassis.



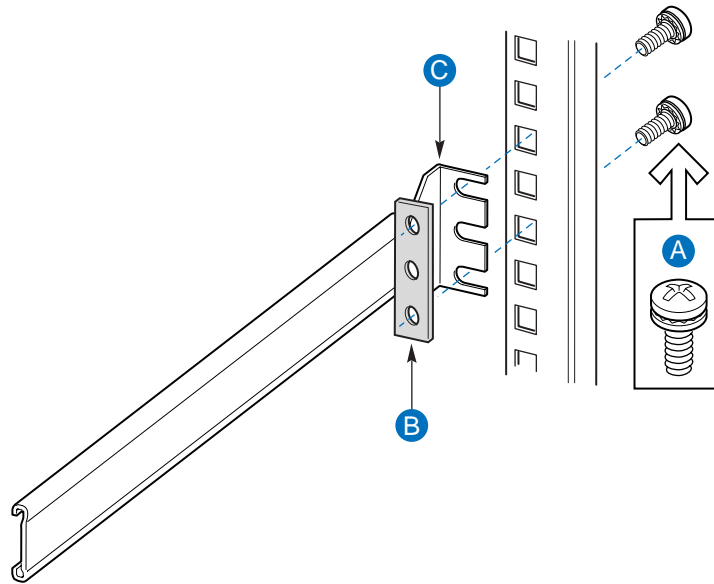
TP01009

- A. Chassis disk
- B. Hex head screw

Figure 4. Attaching a Chassis Disk to the Chassis

Attach Brackets to Rear Posts

1. Attach a nut bar (Figure 5, C) on the inside of the two rear rack posts using screws (A). Do not completely tighten the screws—leave them loose enough to allow insertion of the brackets in step 2.
2. Insert the slotted foot of a rear bracket (B) between each nut bar and post.
3. Align the face of the bracket foot with the edge of the rack post and firmly tighten the screws.



TP01010

- A. #10-32 x 1/2-inch screw
- B. Nut bar
- C. Rear bracket

Figure 5. Attaching a Rear Bracket to a Rear Post

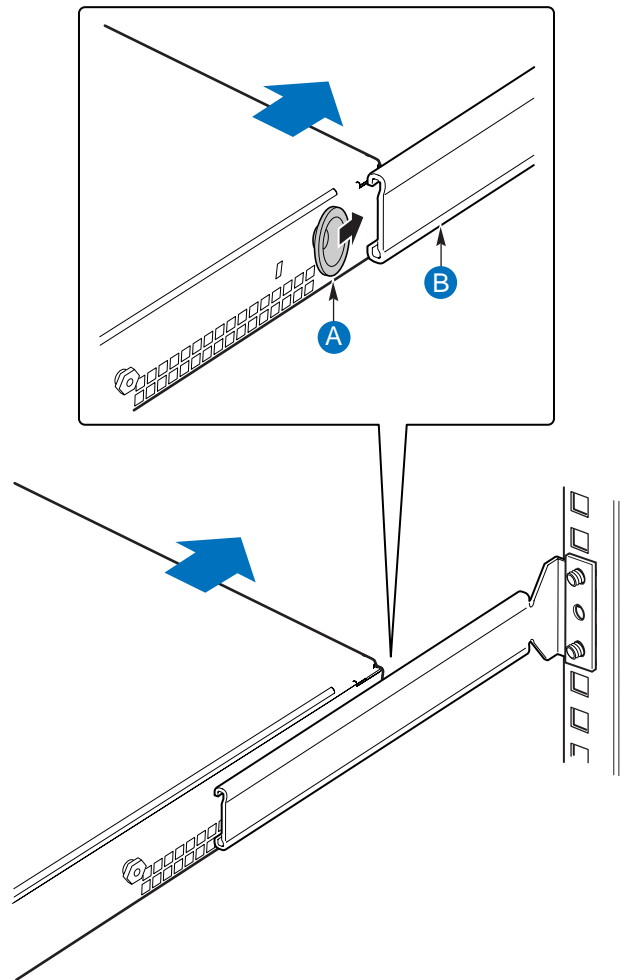
Install Chassis in Rack



CAUTION

Lifting the chassis and attaching it to the rack is a two-person job. If needed, use an appropriate lifting device. A fully loaded SR1400 server weighs approximately 13.9 kg (30.6 lbs.) and a fully loaded SR2400 server weighs approximately 23.4 kg (51.5 lbs.).

1. With the chassis front facing you, lift the chassis and position the chassis disks (Figure 6, A) so they fit in the rear brackets (B).



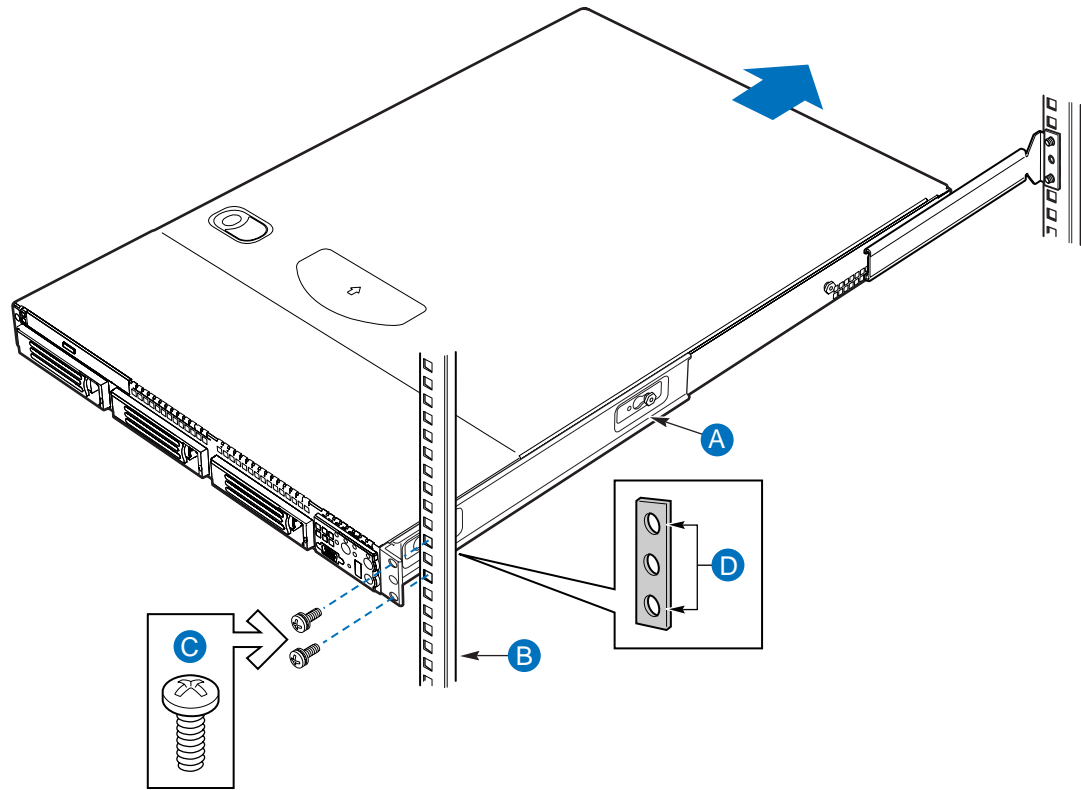
TP01011

- A. Chassis disk
- B. Rear bracket

Figure 6. Installing the Chassis in the Rear Brackets

2. Slide the chassis toward the rear of the rack until the front of the chassis brackets contact the front posts.

3. Attach the chassis brackets (Figure 7, A) to the front posts (B) using two screws (C) and one nut bar (E) per side.



TP01012

- A. Chassis bracket
- B. Front post
- C. #10-32 x 1/2-inch screw
- D. Nut bar

Figure 7. Attaching a Front Bracket to a Front Post

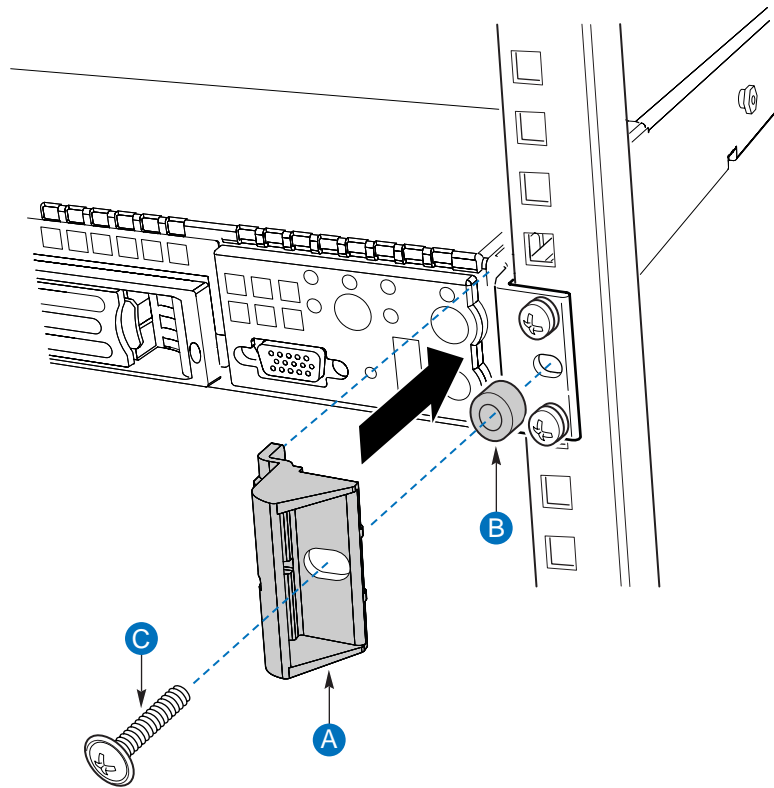
Install Chassis Handles

⇒ NOTE

The handles are required to hold the bezel on. If you will not be installing a bezel, you do not need to install the handles.

1. Slide a handle (Figure 8, A) between the chassis and the chassis bracket.
2. Align the hole in the handle with the unused hole in the chassis bracket.
3. Install a spacer (B) between the handle and the chassis bracket.
4. Install and tighten screw (C) to secure the handle.
5. In the same manner, attach the other handle to the opposite side.

You have completed the installation of your chassis in a four-post rack system.



TP01013

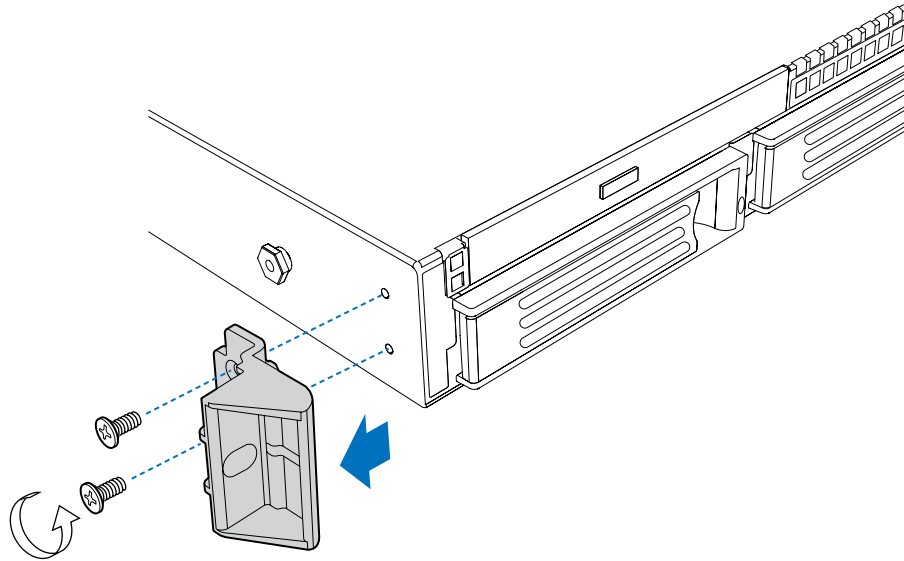
- A. Chassis handle
- B. Spacer
- C. #10-32 x 7/8-inch screw with washer

Figure 8. Attaching a Chassis Handle to a Front Post

Mid-Mounting in a Two-Post Rack System

Remove the Chassis Handles

1. Remove two screws (Figure 9) from each handle.
2. Save the handles and screws for possible future reattachment. You will not reattach them as part of this process.

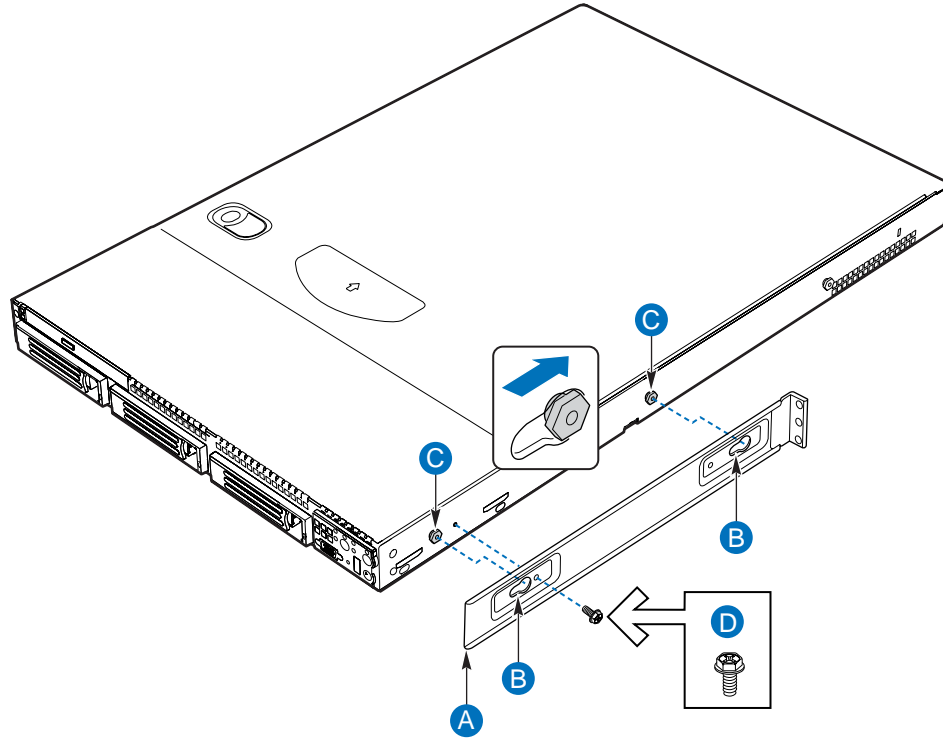


TP01007

Figure 9. Removing a Handle from the Chassis

Attach Brackets to Chassis

1. Place a mounting bracket (Figure 10, A) along one side of the chassis in the mid-mount position.
2. Align the holes (B) in the bracket with the tabs (C) on the chassis and place the bracket against the chassis.
3. Slide the bracket as far as it will go toward the front of the chassis.
4. Fasten the bracket to the chassis using screw (D).
5. In the same manner, attach a bracket to the other side of the chassis.



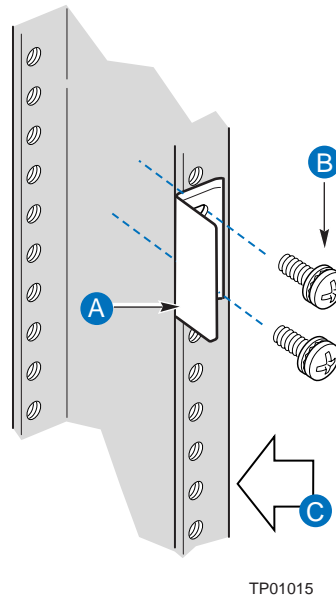
TP01014

- A. Chassis bracket in mid-mount position
- B. Bracket holes
- C. Chassis tabs
- D. Hex head screw

Figure 10. Installing a Chassis Bracket in the Mid-mount Position

Attach L Brackets to Center Posts

1. Position an L bracket (Figure 11, A) on the backside of the center post (C).
2. Attach the L bracket to the center post using the screws (B) supplied with your rack. Do not fully tighten at this time.
3. In the same manner, attach an L bracket to the other center post.



- A. L bracket
- B. Screw
- C. Front side of typical right center post

Figure 11. Attaching an L Bracket to a Center Post

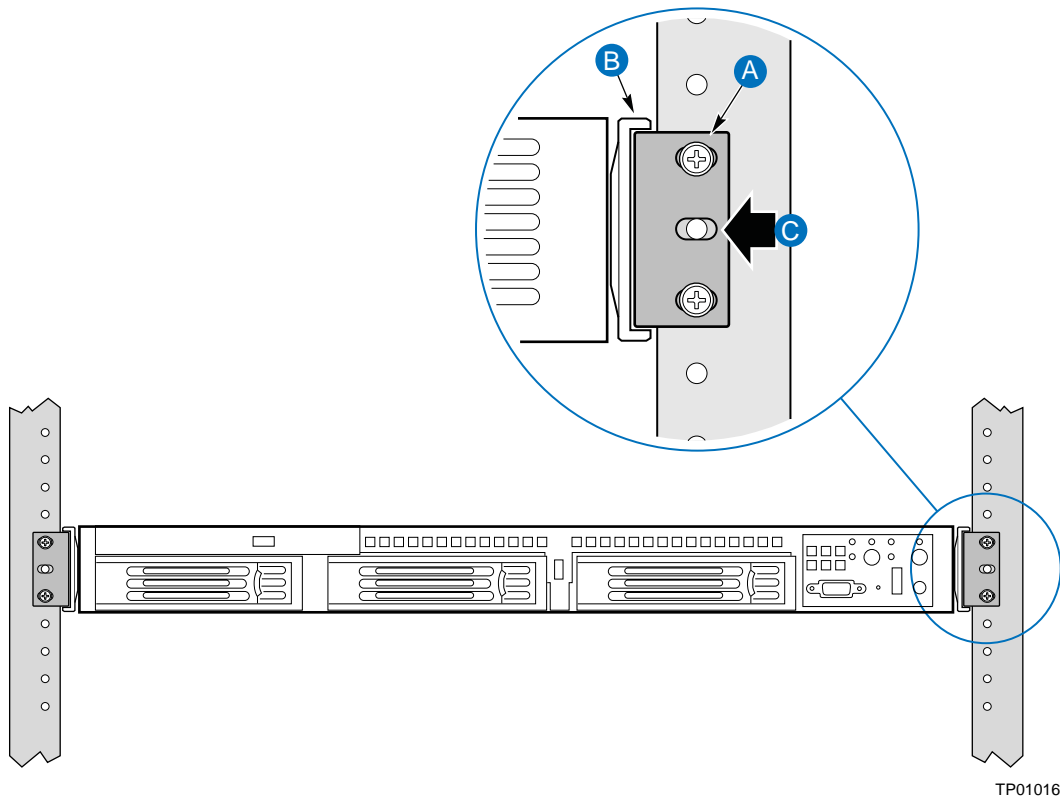
Install Chassis in Rack



CAUTION

Lifting the chassis and attaching it to the rack is a two-person job. If needed, use an appropriate lifting device. A fully loaded SR1400 server weighs approximately 13.9 kg (30.6 lbs.) and a fully loaded SR2400 server weighs approximately 23.4 kg (51.5 lbs.).

1. Locate one person at the front of the rack and one at the rear.
2. Position the chassis so that the L brackets (Figure 12, A) are inserted into the chassis mounting brackets (B).
3. While supporting the weight of the chassis, adjust the L brackets to fit tightly into the chassis brackets (C).

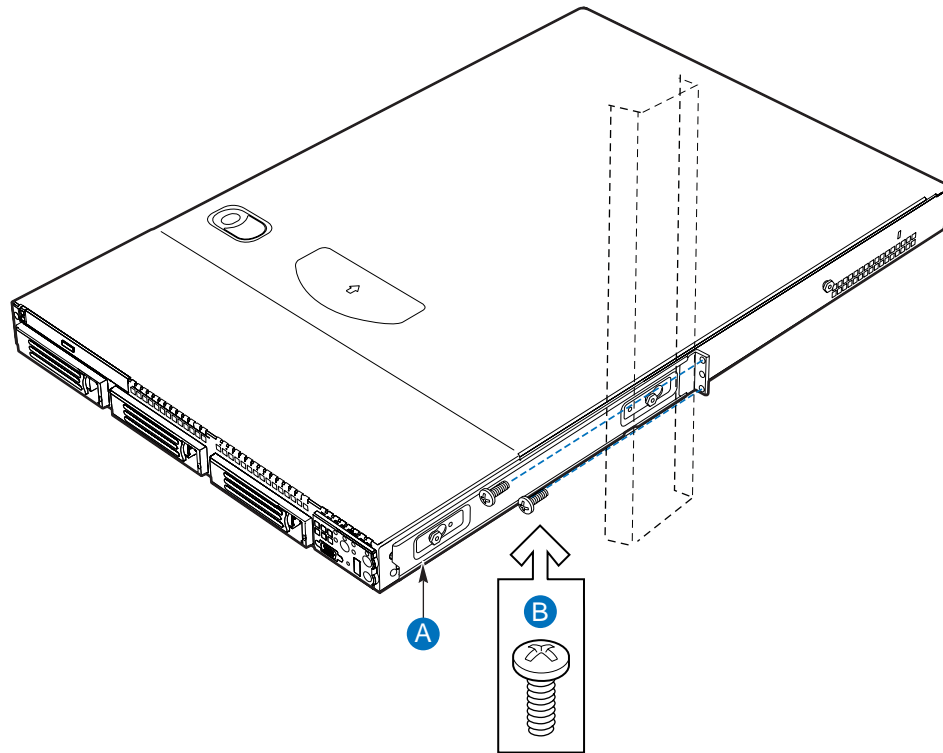


TP01016

Figure 12. L Brackets Inserted into Chassis Mounting Brackets (Front View)

4. Slide the chassis toward the front of the rack until the front of the chassis mounting brackets contact the rear of the center posts.
5. Using the screws (Figure 13, C) supplied with your rack, attach the front of the mounting brackets to the front of the center posts.

You have completed the mid-mount installation of your chassis in a two-post rack system.



TP01017

- A. Chassis bracket in mid-mount position
- B. L bracket
- C. Screw

Figure 13. Installing the Chassis in the Rack

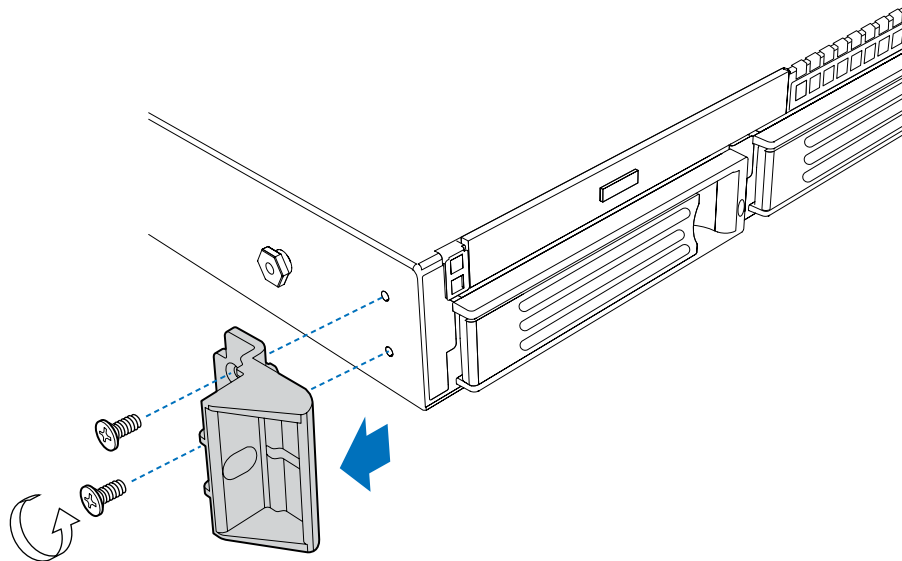
Front-Mount-Only in a Two-Post Rack System

WARNING

Your chassis' rack mount kit provides the option for mounting the system in a two post front-mount-only configuration. However, mounting your chassis using this option is not recommended for use in most rack systems. If a front-mount-only configuration is desired, it is highly recommended that you verify through your rack vendor that your specific rack is designed to support the excessive weight and stresses this type of mounting configuration imposes on the rack. Structural failure of the rack is likely if it is not designed for this type of load. A four-post or a two-post mid-mount configuration should be used when possible.

Remove the Chassis Handles

1. Remove two screws from each handle (see Figure 14).
2. Set the handles and screws aside for reattachment later.

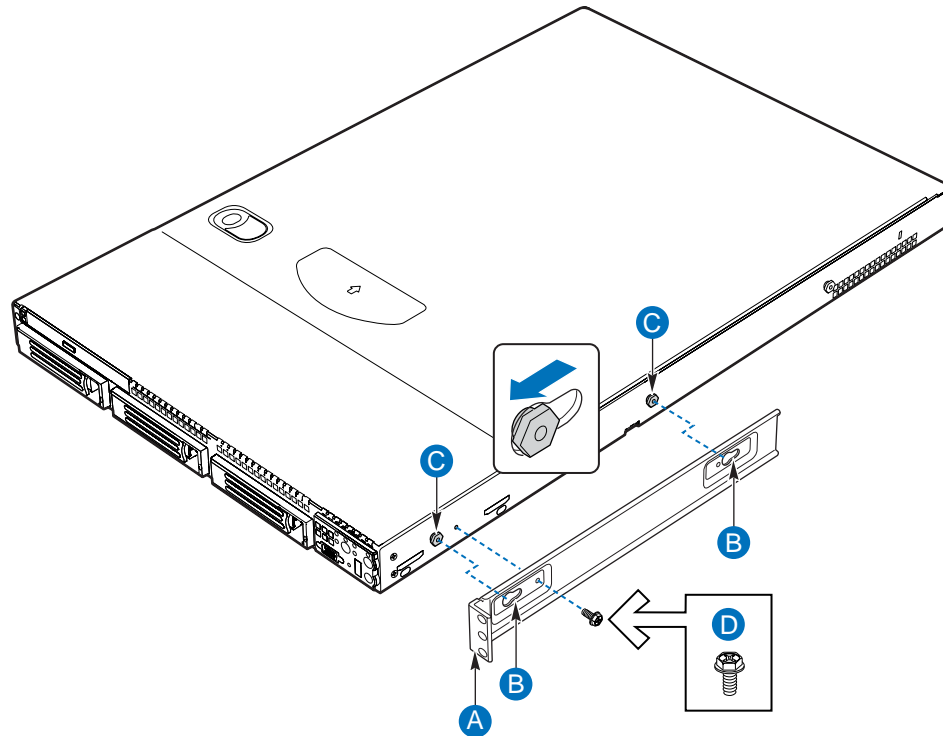


TP01018

Figure 14. Removing a Handle from the Chassis

Attach Brackets to Chassis

1. Place a mounting bracket (Figure 15, A) along one side of the chassis in the front-mount position.
2. Align the holes (B) in the bracket with the tabs (C) on the chassis and place the bracket against the chassis.
3. Slide the bracket as far as it will go toward the front of the chassis.
4. Attach the bracket to the chassis using screw (D).
5. In the same manner, attach a bracket to the other side of the chassis.



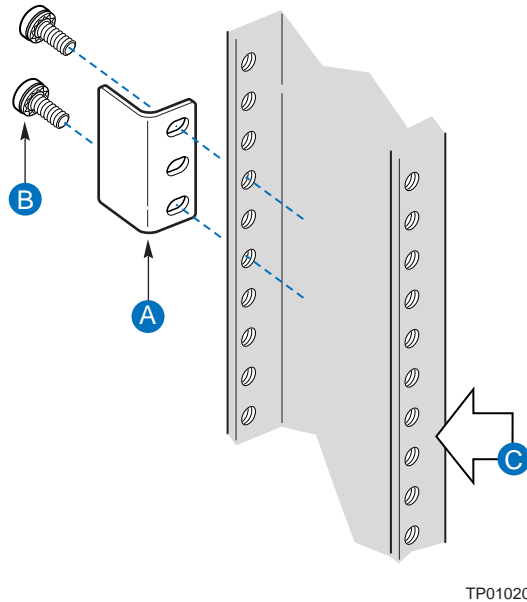
TP01019

- A. Chassis bracket in front-mount position
- B. Bracket holes
- C. Chassis tabs
- D. Hex head screw

Figure 15. Installing a Chassis Bracket in the Front-mount Position

Attach L Brackets to Center Posts

1. Position an L bracket (Figure 16, A) on the backside of the center post (C).
2. Attach the L bracket to the center post using the screws (B) supplied with your rack. Do not fully tighten at this time.
3. In the same manner, attach an L bracket to the other center post.



- A. L bracket
- B. Screw
- C. Front flange of typical right center post

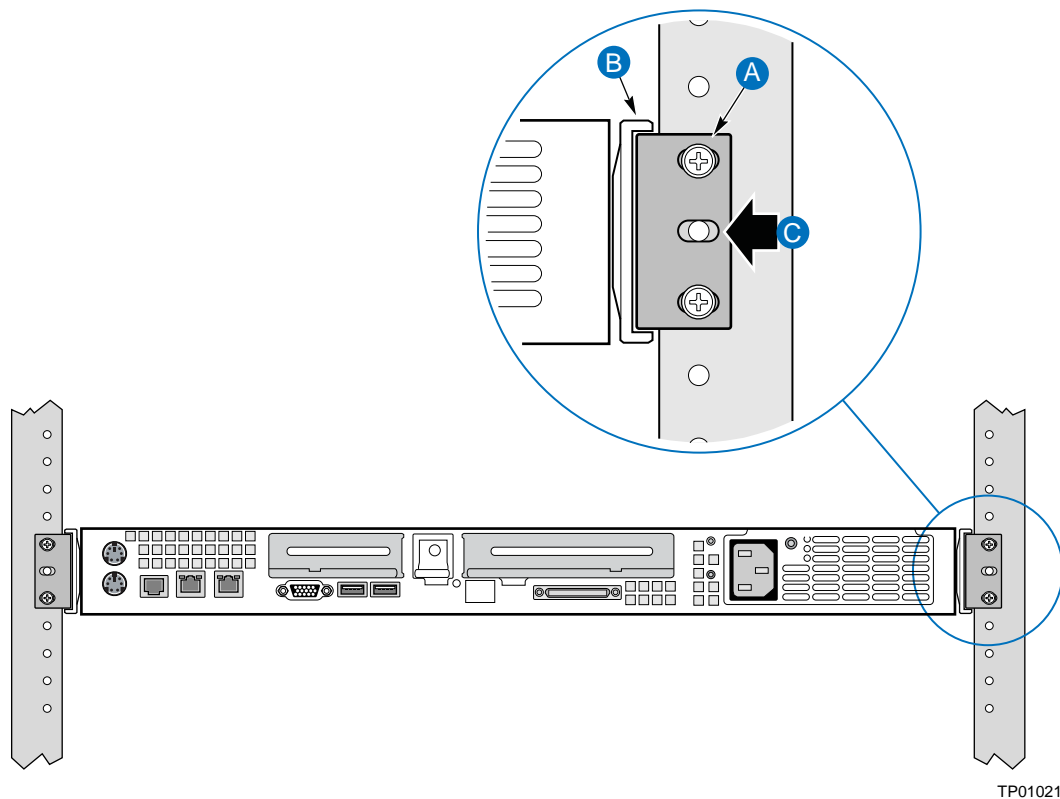
Figure 16. Attaching an L Bracket to a Center Post

Install Chassis in Rack

CAUTION

Lifting the chassis and attaching it to the rack is a two-person job. If needed, use an appropriate lifting device. A fully loaded SR1400 server weighs about 13.9 kg (30.6 lbs.) and a fully loaded SR2400 server weighs about 23.4 kg (51.5 lbs.).

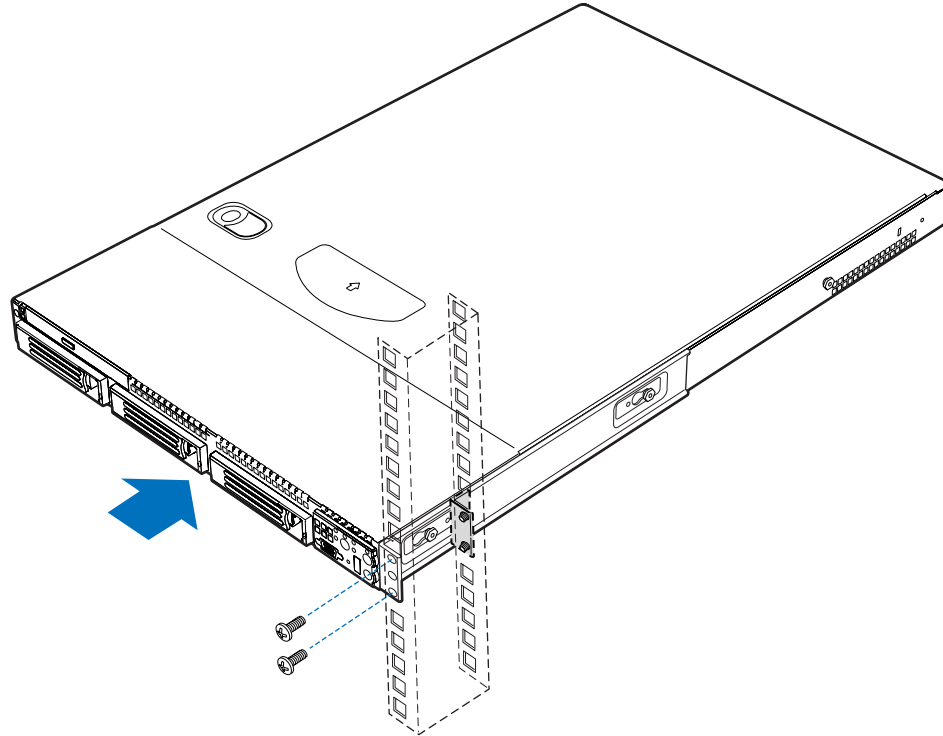
1. Locate one person at the front of the rack and one at the rear.
2. Position the chassis so that the L brackets (Figure 17, A) are inserted into the chassis mounting brackets (B).
3. While supporting the weight of the chassis, adjust the L brackets to fit tightly into the chassis brackets (C).



TP01021

Figure 17. L Brackets Inserted into Chassis Mounting Brackets (Rear View)

4. Slide the chassis toward the rear of the rack until the front of the chassis brackets contact the front of the center posts.
5. Using the fasteners (Figure 18, C) supplied with your rack, attach the front of the mounting brackets to the front of the center posts.



TP01022

- A. Chassis bracket in front-mount position
- B. L bracket
- C. Screw (supplied by rack manufacturer)

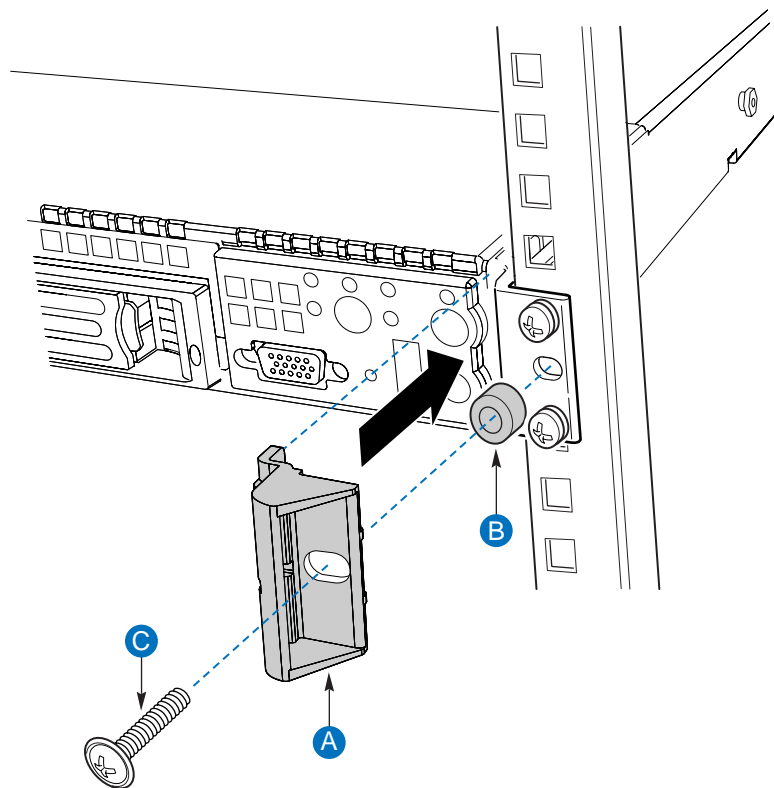
Figure 18. Installing the Chassis in the Rack

Install Chassis Handles

⇒ NOTE

The handles are only required to hold the bezel on. If you will not be installing a bezel, you do not need to install the handles.

1. Slide a handle (Figure 19, A) between the chassis and the chassis bracket.
2. Align the hole in the handle with the unused hole in the chassis bracket.
3. Install a spacer (B) between the handle and the bracket.
4. Install and tighten screw (C) to secure the handle.
5. In the same manner, attach the other handle to the opposite side.



TP01023

- A. Chassis handle
- B. Spacer
- C. #10-32 x 7/8-inch screw with washer

Figure 19. Attaching a Chassis Handle to a Front Post