



# Intel<sup>®</sup> Server Board S875WP1-E

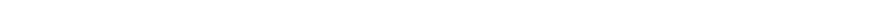
## *Technical Product Specification*

*Intel order number C40538-003*

**Revision 4.0**

**November 2003**

**Enterprise Platforms and Services Marketing**



## Revision History

Date	Revision Number	Modifications
May 2003	1.0	Initial Release.
June 2003	2.0	Updated mechanical drawing and I/O shield drawing.
June 2003	3.0	Added correct calculated MTBF numbers and additional notes about ATX12V power supply support.
November 2003	4.0	Additional notes regarding Serial ATA controller for S875WP1LX sku

This product specification applies to the Intel® Server Board S875WP1-E with BIOS identifier WP87510A.86B.

Changes to this specification will be published in the Intel Server Board S875WP1-E Specification Update before being incorporated into a revision of this document.

## ***Disclaimers***

Information in this document is provided in connection with Intel® products. No license, express or implied, by estoppel or otherwise, to any intellectual property rights is granted by this document. Except as provided in Intel's Terms and Conditions of Sale for such products, Intel assumes no liability whatsoever, and Intel disclaims any express or implied warranty, relating to sale and/or use of Intel products including liability or warranties relating to fitness for a particular purpose, merchantability, or infringement of any patent, copyright or other intellectual property right. Intel products are not intended for use in medical, life saving, or life sustaining applications. Intel may make changes to specifications and product descriptions at any time, without notice.

The S875WP1-E may contain design defects or errors known as errata which may cause the product to deviate from published specifications. Current characterized errata are available on request.

Intel, Pentium, Itanium, and Xeon are trademarks or registered trademarks of Intel Corporation.

\*Other brands and names may be claimed as the property of others.

Copyright © Intel Corporation 2003.

# Table of Contents

<b>1. Introduction .....</b>	<b>6</b>
<b>2. Server Board Overview .....</b>	<b>6</b>
2.1 S875WP1-E Feature Set .....	6
<b>3. Functional Architecture .....</b>	<b>6</b>
3.1 Processor and Memory Subsystem .....	6
3.1.1 Processor Support .....	6
3.1.2 Memory Subsystem .....	6
3.1.3 Memory Configurations .....	6
3.2 Intel 875P Chipset .....	6
3.2.1 AGP .....	6
3.2.2 USB .....	6
3.2.3 IDE Interfaces .....	6
3.2.4 Real-Time Clock, CMOS SRAM, and Battery .....	6
3.2.5 Intel 82802AC 8 Megabit Firmware Hub (FWH) .....	6
3.3 Serial ATA (SATA) Support .....	6
3.3.1 SATA Interfaces .....	6
3.3.2 SATA RAID with ICH5-R Controller .....	6
3.3.3 SATA RAID with Promise Technology' PDC20319 .....	6
3.4 I/O Controller .....	6
3.4.1 Serial Ports .....	6
3.4.2 Parallel Port .....	6
3.4.3 Diskette Drive Controller .....	6
3.4.4 Keyboard and Mouse Interface .....	6
3.5 Hardware Management Subsystem .....	6
3.5.1 Hardware Monitoring and Fan Control ASIC .....	6
3.5.2 Fan Monitoring .....	6
3.5.3 Chassis Intrusion and Detection .....	6
3.6 Power Management .....	6
3.6.1 Advanced Configuration and Power Interface (ACPI) .....	6
3.6.2 Hardware Support .....	6
3.6.3 Standby Power (+5 V) Indicator LED .....	6
3.7 Clock Generation and Distribution .....	6

3.8	PCI I/O Subsystem .....	6
3.8.1	32-bit, 33-MHz PCI Subsystem .....	6
3.8.2	Video Controller .....	6
3.9	Network Interface Controller (NIC) Subsystem.....	6
3.9.1	RJ-45 LAN Connectors with Integrated LEDs.....	6
<b>4.</b>	<b>Maps and Interrupts .....</b>	<b>6</b>
4.1	Memory Map.....	6
4.2	I/O Map .....	6
4.3	DMA Channels.....	6
4.4	PCI Configuration Space Map .....	6
4.5	Interrupts.....	6
4.6	PCI Interrupt Routing Map .....	6
<b>5.</b>	<b>Connectors and Jumper Blocks .....</b>	<b>6</b>
5.1	Power Connectors .....	6
5.2	PCI Bus Connectors .....	6
5.3	AGP Connector.....	6
5.4	Front Panel Connector.....	6
5.5	VGA Connector.....	6
5.6	NIC /USB Connector.....	6
5.7	SATA/SATA RAID Connectors .....	6
5.8	ICH5-R IDE Connectors .....	6
5.9	Front Panel USB Header .....	6
5.10	Floppy Connector .....	6
5.11	Serial Port Connector .....	6
5.12	Keyboard and Mouse Connector .....	6
5.13	Miscellaneous Headers .....	6
5.13.1	Fan Headers.....	6
5.14	System Recovery and Update Jumper.....	6
5.15	Clear CMOS Jumper .....	6
<b>6.</b>	<b>BIOS Features.....</b>	<b>6</b>
6.1	BIOS Flash Memory Organization .....	6
6.2	Resource Configuration .....	6
6.2.1	PCI Autoconfiguration .....	6
6.2.2	PCI IDE Support.....	6
6.3	System Management BIOS (SMBIOS) .....	6

6.4	Legacy USB Support .....	6
6.5	BIOS Updates.....	6
6.5.1	Language Support.....	6
6.5.2	Custom Splash Screen .....	6
6.6	Recovering BIOS Data .....	6
6.7	Boot Options.....	6
6.7.1	CD-ROM and Network Boot.....	6
6.7.2	Booting Without Attached Devices.....	6
6.8	Fast Booting Systems with Intel® Rapid BIOS Boot .....	6
6.8.1	Intel Rapid BIOS Boot .....	6
6.9	BIOS Security Features .....	6
<b>7.</b>	<b>BIOS Setup Program.....</b>	<b>6</b>
7.1.1	Maintenance Menu.....	6
7.1.2	Main Menu .....	6
7.1.3	Advanced Menu .....	6
7.1.4	Security Menu .....	6
7.1.5	Power Menu .....	6
7.1.6	Boot Menu.....	6
7.1.7	Exit Menu .....	6
<b>8.</b>	<b>Error Reporting and Handling.....</b>	<b>6</b>
8.1	Error Sources and Types.....	6
8.1.1	PCI Bus Errors .....	6
8.1.2	Processor Bus Errors .....	6
8.1.3	Single-Bit ECC Error Throttling Prevention .....	6
8.1.4	Memory Bus Errors .....	6
8.2	BIOS Error Messages, POST Codes, and BIOS Beep Codes .....	6
8.2.1	BIOS Error Messages .....	6
8.2.2	Port 80h POST Codes .....	6
8.3	Bus Initialization Checkpoints .....	6
<b>9.</b>	<b>General Specifications.....</b>	<b>6</b>
9.1	Absolute Maximum Ratings .....	6
9.2	S875WP1-E Power Budget .....	6
9.3	Product Regulatory Compliance .....	6
9.3.1	Product Safety Compliance.....	6

9.3.2	Product EMC Compliance .....	6
9.3.3	Product Regulatory Compliance Markings .....	6
9.4	Electromagnetic Compatibility Notices .....	6
9.4.1	FCC (USA) .....	6
9.4.2	INDUSTRY CANADA (ICES-003) .....	6
9.4.3	Europe (CE Declaration of Conformity) .....	6
9.4.4	Taiwan Declaration of Conformity .....	6
9.4.5	Korean RRL Compliance .....	6
9.4.6	Australia / New Zealand .....	6
9.5	Replacing the Back-Up Battery .....	6
9.6	Calculated Mean Time Between Failures (MTBF) .....	6
9.7	Mechanical Specifications .....	6
<b>Glossary</b>	.....	<b>VI</b>

## List of Figures

Figure 1. Intel Server Board S875WP1-E Diagram .....	6
Figure 2. Examples of Dual Channel Configuration with Dynamic Mode.....	6
Figure 3. Example of Dual Channel Configuration without Dynamic Mode .....	6
Figure 4. Examples of Single Channel Configuration with Dynamic Mode.....	6
Figure 5. Examples of Single Channel Configuration without Dynamic Mode .....	6
Figure 6. Intel 875P Chipset Block Diagram.....	6
Figure 7. USB Port Configuration .....	6
Figure 8. Location of the Standby Power Indicator LED (CR7J1).....	6
Figure 9. LAN Connector LED Locations.....	6
Figure 10. S875WP1-E Server Board Mechanical Drawing .....	6
Figure 11. Intel Server Board S875WP1-E I/O Shield Drawing.....	6

## List of Tables

Table 1. Processor Support Matrix .....	6
Table 2. Supported Memory Configurations .....	6
Table 3. Supported System Bus Frequency and Memory Speed Combinations .....	6
Table 4. Characteristics of Dual/Single Channel Configuration with/without Dynamic Mode .....	6
Table 5. Effects of Pressing the Power Switch .....	6
Table 6. Power States and Targeted System Power .....	6
Table 7. Wake-up Devices and Events .....	6
Table 8. Fan Connector Function/Operation.....	6
Table 9. PCI Bus Characteristics .....	6
Table 10. PCI Bus Configuration IDs .....	6
Table 11. Video Modes .....	6
Table 12. 10/100 Ethernet LAN Connector LEDs .....	6
Table 13. 10/100/1000 LAN Connector LED States .....	6
Table 14. System Memory Map .....	6
Table 15. I/O Map .....	6
Table 16. DMA Channels.....	6
Table 17. PCI Configuration Space Map .....	6
Table 18. Interrupts.....	6
Table 19. PCI Interrupt Routing Map .....	6
Table 20. Power Connector Pin-out (J2J2).....	6
Table 21. 12V CPU Power Connector (J4C1) .....	6
Table 22. Auxiliary Power Connector (J4J1).....	6
Table 23. PCI Bus Connectors .....	6
Table 24. AGP Connector.....	6
Table 25. High-Density Front Panel 34-Pin Header Pin Out (J7J1).....	6
Table 26. VGA Connector Pin-out (J3A1).....	6
Table 27. Magjack3 Connector (dual USB + RJ45, Gbe) Pin Out (JA4A1) .....	6
Table 28. Magjack3 Connector (dual USB + RJ45, 10/100) Pin Out (JA5A1) .....	6
Table 29. SATA 7-pin Connectors Pin Out (J9E1, J9F1, J9G1, J9H1, J9H2, J9J2).....	6
Table 30. ICH5-R IDE 40-pin Connector Pin Out (J5J1, J6J1).....	6
Table 31. Front Panel USB Connector Pin-out (J7E1) .....	6
Table 32. 34-pin Floppy Connector Pin Out (J3J1).....	6

Table 33. 9-pin Serial A Port Pin Out (J2A1) .....	6
Table 34. 10-pin Header Serial B Port Pin Out (J6J4) .....	6
Table 35. Keyboard /Mouse PS/2 Connector Pin Out (J1A1) .....	6
Table 36. Three-Pin Fan Headers Pin-Out .....	6
Table 37. BIOS Setup Configuration Jumper Settings (J8J2) .....	6
Table 38. Clear CMOS Jumper Settings (J8G1) .....	6
Table 39. Supervisor and User Password Functions .....	6
Table 40. BIOS Setup Program Menu Bar .....	6
Table 41. BIOS Setup Program Function Keys .....	6
Table 42. Maintenance Menu .....	6
Table 43. Main Menu .....	6
Table 44. Advanced Menu .....	6
Table 45. PCI Configuration Submenu .....	6
Table 46. Boot Configuration Submenu .....	6
Table 47. Peripheral Configuration Submenu .....	6
Table 48. Drive Configuration Submenu .....	6
Table 49. Primary/Secondary Master/Slave Submenus .....	6
Table 50. Floppy Configuration Submenu .....	6
Table 51. Event Log Configuration Submenu .....	6
Table 52. Video Configuration Submenu .....	6
Table 53. USB Configuration Submenu .....	6
Table 54. Chipset Configuration Submenu .....	6
Table 55. Fan Control Configuration Submenu .....	6
Table 56. Hardware Monitoring Submenu .....	6
Table 57. Remote Access Configuration Submenu .....	6
Table 58. Security Menu .....	6
Table 59. Power Menu .....	6
Table 60. ACPI Submenu .....	6
Table 61. Boot Menu .....	6
Table 62. Boot Device Priority Submenu .....	6
Table 63. Hard Disk Drives Submenu .....	6
Table 64. Removable Devices Submenu .....	6
Table 65. ATAPI CDROM Drives Submenu .....	6
Table 66. Exit Menu .....	6
Table 67. BIOS Error Messages .....	6

Table 68. Uncompressed INIT Code Checkpoints..... 6

Table 69 Boot Block Recovery Code Checkpoints ..... 6

Table 70. Runtime Code Uncompressed in F000 Shadow RAM..... 6

Table 71. BIOS Beep Codes..... 6

Table 72. Bus Initialization Checkpoints ..... 6

Table 73. Upper Nibble High Byte Functions..... 6

Table 74. Lower Nibble High Byte Functions..... 6

Table 75. Absolute Maximum Ratings ..... 6

Table 76. S875WP1-E Power Budget..... 6

**This page intentionally left blank**

# 1. Introduction

---

The S875WP1-E Technical Product Specification (TPS) provides a high-level technical description for the Intel® Server Board S875WP1-E. It details the architecture and feature set for all functional sub-systems that make up the server board.

This TPS covers both versions of the Intel Server Board S875WP1-E, which includes product codes: S875WP1 and S875WP1LX. When appropriate, the specific product code is used to relay information that pertains only to a specific version of the Intel Server Board S875WP1-E.

This document is divided into the following main categories:

**Chapter 2:** Server Board Overview

**Chapter 3:** Functional Architecture

**Chapter 4:** Technical Reference

**Chapter 5:** Connectors and Jumper Blocks

**Chapter 6:** Overview of BIOS Features

**Chapter 7:** BIOS Setup Program

**Chapter 8:** Error Reporting and Handling

**Chapter 9:** General Specifications

## 2. Server Board Overview

---

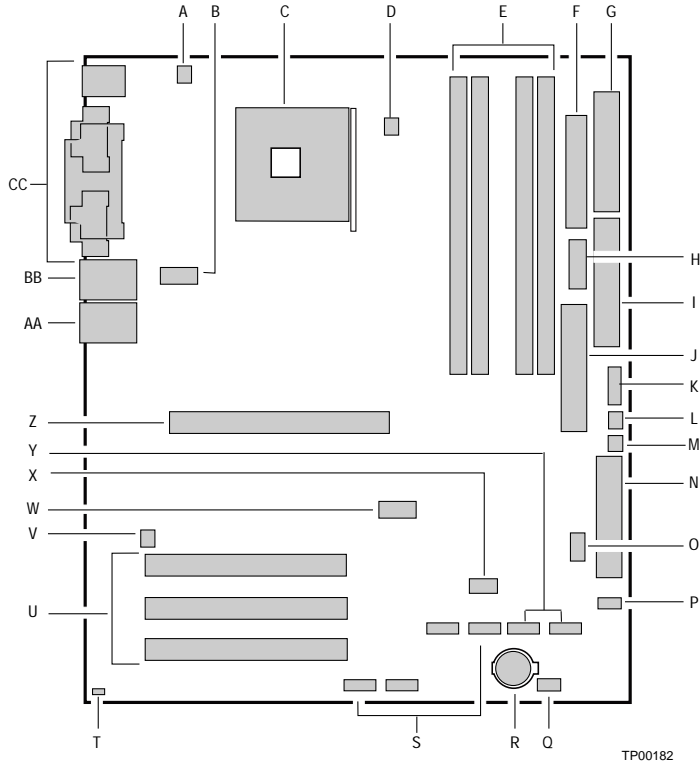
### 2.1 S875WP1-E Feature Set

The Intel Server Board S875WP1-E provides the following feature set:

- Support for an Intel® Pentium® 4 processor with hyper-threading technology in a  $\mu$ PGA478 socket.
- 400/533/800 MHz System Bus
- Intel® 875P chipset
  - Intel® 82875P Memory Controller Hub (MCH)
  - Intel® 82801ER I/O Controller Hub (ICH5-R)
  - Intel® 82802AC 8 Megabit Firmware Hub (FWH)
- Support for single-sided or double-sided dual inline memory module (DIMM) double-data rate (DDR) memory providing up to 4 GB of system memory with four 184-pin DIMM sockets.
  - PC3200 (400 MHz): to run 400 MHz memory at full speed requires an Intel Pentium 4 processor with 800 MHz system bus frequency.
  - PC2700 (333 MHz): to run 333 MHz memory at full speed requires an Intel Pentium 4 processor with 533 MHz system bus frequency.  
**Note:** PC2700 (333 MHz) memory will run at 320 MHz frequency when using an Intel Pentium 4 processor with 800 MHz system bus frequency.
  - PC2100 (266 MHz): PC2100 (266 MHz) memory may only be used with an Intel Pentium 4 processor with 400 MHz or 533 MHz system bus frequency only.
- One AGP bus with AGP connector, supporting 1.5 V and 0.8V AGP cards at 4X and 8X.
- One independent PCI bus (32-bit, 33 MHz, 5 V) with three PCI connectors and two embedded devices:
  - Integrated 2D/3D graphics controller: ATI Rage\* XL Video Controller with 8 MB of SDRAM
  - Optional 4-port Serial ATA (SATA) controller (on S875WP1LX): Promise Technology\* PDC20319
- LPC (Low Pin Count) bus segment with one embedded device: SMSC LPC47M172 LPC Bus I/O controller chip providing all PC-compatible I/O (floppy, serial, keyboard, mouse)
- Four external USB 2.0 ports on the back panel with an additional internal header, which provides support for an additional two USB ports for front panel support (six total possible USB 2.0 ports)
- One serial port and one serial port header
- One parallel port
- Two IDE interfaces with UDMA 33, ATA-66/100 support
- Support for up to four system fans and one processor fan

- Server System Infrastructure (SSI)-compliant connectors for SSI interface support: front panel, power connector
- Hardware Monitor Subsystem:
  - Voltage sense to detect out of range power supply voltages
  - Thermal sense to detect out of range thermal values
  - Four fan sense inputs used to monitor fan activity

The figure below shows the functional blocks of the server board and the plug-in modules that it supports.



- A. System Fan 4 Header
- B. +12V CPU Power Connector
- C. Processor Socket
- D. CPU Fan
- E. DIMM Sockets
- F. Main Power Connector
- G. Floppy Drive Connector
- H. Auxiliary Power Connector
- I. Primary IDE Connector
- J. Secondary IDE Connector
- K. Serial B Header
- L. System Fan 1 Header
- M. System Fan 2 Header
- N. Front Panel Connector
- O. BIOS Configuration Jumper (J8J2)
- P. SCSI LED Header
- Q. Hot Swap Backplane Header
- R. Battery
- S. SATA-A1 through SATA-A4 Connector (S875WP1LX only, slots numbered from left to right)
- T. Chassis Intrusion Header
- U. PCI 32/33 Slots 1 – 3 (slots numbered from top to bottom)
- V. System Fan 3 Header
- W. Front Panel USB Header
- X. Clear CMOS Jumper J8G1
- Y. SATA-B1 and SATA-B2 Connectors (slots numbered from left to right)
- Z. AGP Connector
- AA. NIC2 (10/100 Mb), USB
- BB. NIC1 (1 Gb), USB
- CC. Back Panel I/O Ports

Figure 1. Intel Server Board S875WP1-E Diagram

## 3. Functional Architecture

---

This chapter provides a high-level description of the functionality distributed between the architectural blocks of the Intel Server Board S875WP1-E.

### 3.1 Processor and Memory Subsystem

The Intel 82875P Memory Controller Hub (MCH) is one component of the Intel 875P chipset. The MCH is a centralized controller for the system bus, the memory bus, the AGP bus, and the accelerated hub architecture interface.

#### 3.1.1 Processor Support

The Intel Server Board S875WP1-E supports a single Pentium 4 processor (in a  $\mu$ PGA478 socket) with a system bus of 400 /533 /800 MHz. The server board supports the processors listed in Table 1.

**Table 1. Processor Support Matrix**

Type	Designation	System Bus	L2 Cache Size
Pentium® 4 processor with Hyperthreading (HT) Technology	2.40, 2.60, 2.80, and 3.0 GHz	800 MHz	512 KB
Pentium 4 processor with Hyperthreading Technology	3.06 GHz	533 MHz	512 KB
Pentium 4 processor	2.0, 2.26, 2.4, 2.53, 2.6, 2.66, and 2.8 GHz	400 / 533 MHz	512 KB



#### CAUTION

Use only the processors listed above. Use of unsupported processors can damage the board, the processor, and the power supply. See the Intel® Server Board S875WP1-E Specification Update or go to <http://support.intel.com/support/motherboards/server/S875WP1-E/> for the current list of supported processors for this board.



#### NOTE

Use only ATX12V or EPS12V compliant power supplies with the server board S875WP1-E. ATX12V and EPS12V power supplies have an additional power lead that provides required supplemental power for the Intel Pentium 4 processor. The board will not boot if you do not connect the 20-pin (or 24-pin) and 4-pin (or 8-pin) leads of ATX12V or EPS12V power supplies to the corresponding connectors.

Do not use a standard ATX power supply. The board will not boot with a standard ATX power supply.

### 3.1.1.1 Reset Configuration Logic

The BIOS determines the processor stepping, cache size, and other processor information through the CPUID instruction. The requirement is for the processor to run at a fixed speed. The processor cannot be programmed to operate at a lower or higher speed.

On the S875WP1-E platform, the BIOS is responsible for configuring the processor speed. The BIOS uses CMOS settings to determine which speed to program into the speed setting device. The processor information is read at every system power-on.

### 3.1.2 Memory Subsystem

The server board S875WP1-E provides four DIMM slots and supports a maximum memory capacity of 4 GB. The DIMM organization is x72, which includes eight ECC check bits. ECC from the DIMMs are passed through to the processor's system bus. Memory scrubbing, single-bit error correction and multiple-bit error detection is supported. Memory can be implemented with either single-sided (one row) or double-sided (two row) DIMMs.

**Table 2. Supported Memory Configurations**

DIMM Capacity	Configuration	DDR SDRAM Density	DDR SDRAM Organization Front-side/Back-side	Number of DDR SDRAM Devices
64 MB	SS	64 Mbit	8 M x 8/empty	8
64 MB	SS	128 Mbit	8 M x 16/empty	4
128 MB	DS	64 Mbit	8 M x 8/8 M x 8	16
128 MB	SS	128 Mbit	16 M x 8/empty	8
128 MB	SS	256 Mbit	16 M x 16/empty	4
256 MB	DS	128 Mbit	16 M x 8/16 M x 8	16
256 MB	SS	256 Mbit	32 M x 8/empty	8
256 MB	SS	512 Mbit	32 M x 16/empty	4
512 MB	DS	256 Mbit	32 M x 8/32 M x 8	16
512 MB	SS	512 Mbit	64 M x 8/empty	8
1024 MB	DS	512 Mbit	64 M x 8/64 M x 8	16

**Note:** In the second column, "DS" refers to double-sided memory modules (containing two rows of DDR SDRAM) and "SS" refers to single-sided memory modules (containing one row of DDR SDRAM).

DIMM and memory configurations must adhere to the following:

- 2.5 V (only) 184-pin DDR SDRAM DIMMs with gold-plated contacts
- Unbuffered, single-sided or double-sided DIMMs with the following restriction:
- Double-sided DIMMS with x16 organization are not supported.
- Maximum total system memory: 4 GB
- Minimum total system memory: 128 MB
- ECC and non-ECC DIMMs supported
- Serial Presence Detect
- PC3200 (400 MHZ), PC2700 (333 MHZ), and PC2100 (266 MHZ) SDRAM DIMMs

Table 3 lists the supported system bus frequency and memory speed combinations.

**Table 3. Supported System Bus Frequency and Memory Speed Combinations**

To use this type of DIMM...	The processor's system bus frequency must be...
PC3200 (400 MHz)	800 MHz
PC2700 (333 MHz)	800 or 533 MHz (Note)
PC2100 (266 MHz)	800, 533, or 400 MHz

**Note:** When using PC2700 (333 MHz) memory with an 800 MHz system bus frequency processor, the memory channel will be set to 320 MHz.

Only DIMMs tested and qualified by Intel or a designated memory test vendor will be supported on the Intel Server Board S875WP1-E. A list of qualified DIMMs will be made available through <http://support.intel.com/support/motherboards/server/S875WP1-E/>. Note that all DIMMs are supported by design, but only fully qualified DIMMs will be supported.



## NOTES

- Remove the AGP video card while installing or upgrading memory to avoid interference with the memory retention mechanism.
- To be fully compliant with all applicable DDR SDRAM memory specifications, the board should be populated with DIMMs that support the Serial Presence Detect (SPD) data structure. This allows the BIOS to read the SPD data and program the chipset to accurately configure memory settings for optimum performance. If non-SPD memory is installed, the BIOS will attempt to correctly configure the memory settings, but performance and reliability may be impacted or the DIMMs may not function under the determined frequency.
- For ECC functionality, all installed DIMMs must be ECC. If both ECC and non-ECC DIMMs are used, ECC will be disabled and will not function.
- Only low profile DIMMs can be supported in a 1U server chassis.

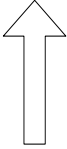
### 3.1.3 Memory Configurations

The Intel 82875P MCH component provides two features for enhancing memory throughput:

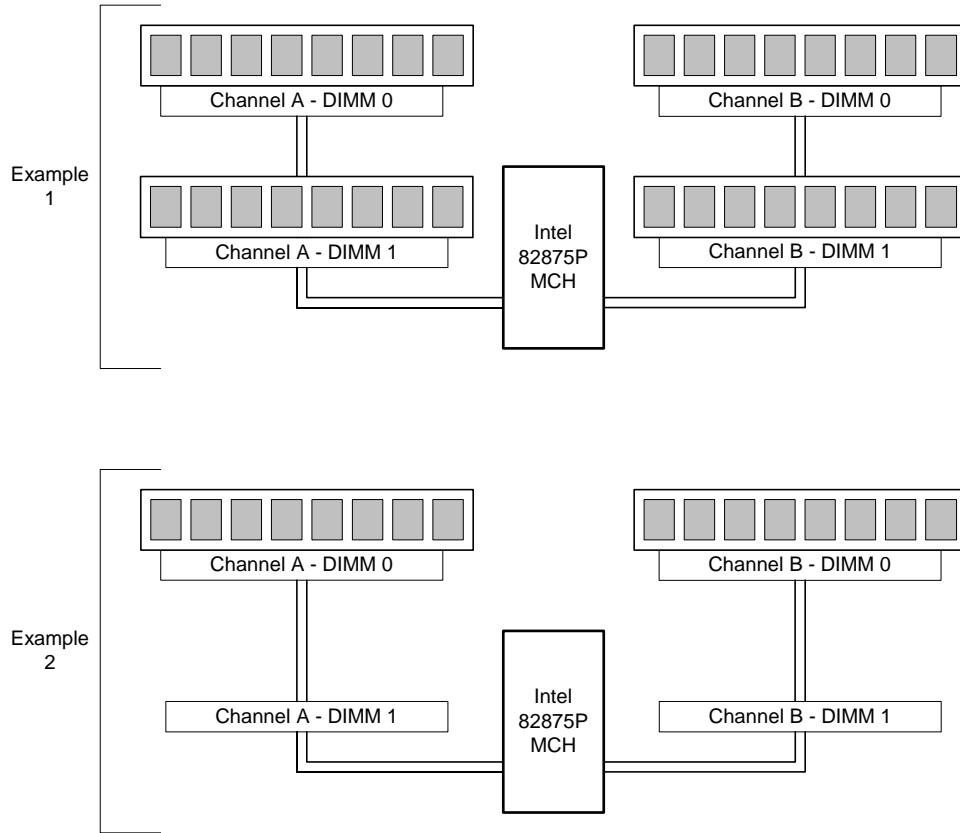
- Dual Channel memory interface. The board has two memory channels, each with two DIMM sockets.
- Dynamic Addressing Mode. Dynamic mode minimizes overhead by reducing memory accesses.

Table 4 summarizes the characteristics of dual and single channel configurations with and without the use of Dynamic Mode.

**Table 4. Characteristics of Dual/Single Channel Configuration with/without Dynamic Mode**

Throughput Level	Configuration	Characteristics
Highest	Dual Channel with Dynamic Mode	All DIMMs matched (Example configurations are shown in Figure 2)
	Dual Channel without Dynamic Mode	DIMMs matched from Channel A to Channel B DIMMs not matched within channels (Example configuration is shown in Figure 3)
	Single Channel with Dynamic Mode	Single DIMM or DIMMs matched with a channel (Example configurations are shown in Figure 4)
Lowest	Single Channel without Dynamic Mode	DIMMs not matched (Example configurations are shown in Figure 5)

Dual Channel Configuration with Dynamic Mode  
(All DIMMs matched)

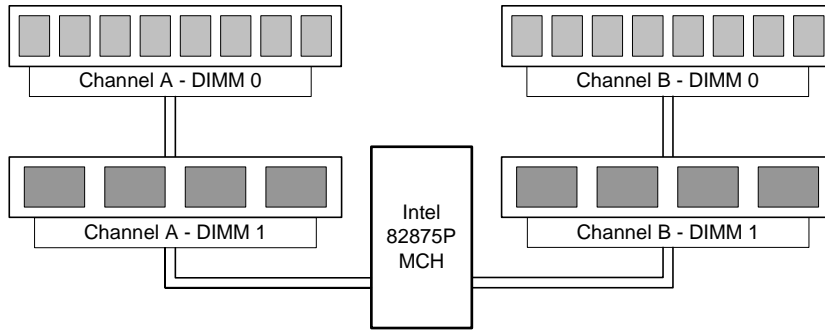


OM15978

Figure 2. Examples of Dual Channel Configuration with Dynamic Mode

Dual Channel Configuration without Dynamic Mode

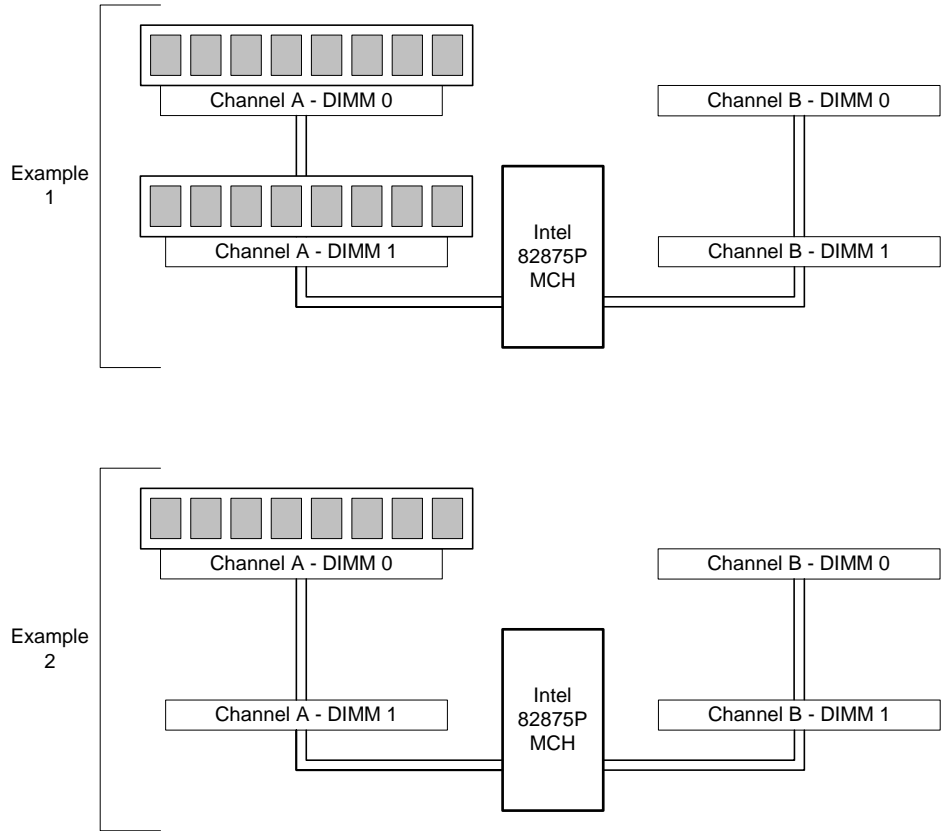
- DIMMs not matched within channel
- DIMMs match Channel A to Channel B



OM15979

Figure 3. Example of Dual Channel Configuration without Dynamic Mode

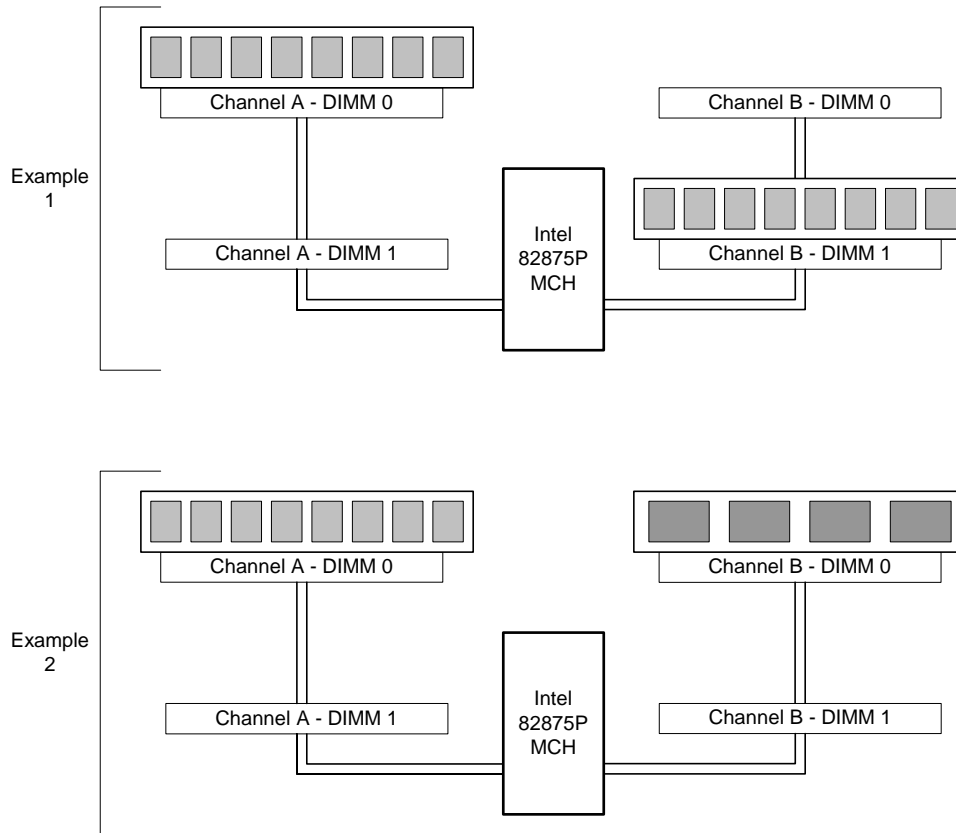
Single Channel Configuration with Dynamic Mode  
(Single DIMM or DIMMs matched within Channel)



OM15980

Figure 4. Examples of Single Channel Configuration with Dynamic Mode

Single Channel Configuration without Dynamic Mode  
(DIMMs not matched)



OM15981

Figure 5. Examples of Single Channel Configuration without Dynamic Mode

### 3.2 Intel 875P Chipset

The Intel 875P chipset consists of the following devices:

- Intel 82875P Memory Controller Hub (MCH) with Accelerated Hub Architecture (AHA) bus
- Intel 82801ER I/O Controller Hub (ICH5-R) with AHA bus
- Intel 82802AC (8 Mbit) Firmware Hub (FWH)

The MCH is a centralized controller for the system bus, the memory bus, the AGP bus, and the Accelerated Hub Architecture interface. The ICH5-R is a centralized controller for the Server Board S875WP1-E's I/O paths. The FWH provides the nonvolatile storage of the BIOS. The component combination provides the chipset interfaces as shown in Figure 6.

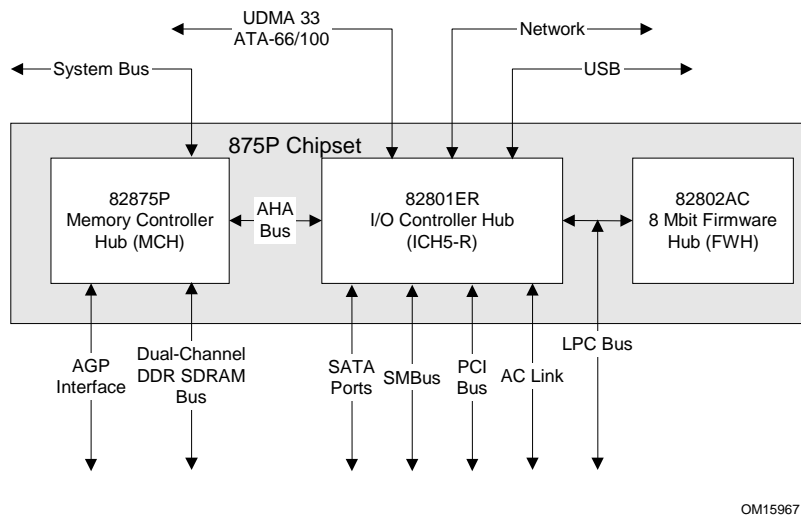


Figure 6. Intel 875P Chipset Block Diagram

**For information about**

The Intel 875P chipset

**Refer to**

<http://developer.intel.com>

### 3.2.1 AGP

The AGP connector supports the following:

- 4x, 8x AGP 3.0 add-in cards with 0.8 V I/O
- 1x, 4x AGP 2.0 add-in cards with 1.5 V I/O

AGP is a high-performance interface for graphics-intensive applications, such as 3D applications. While based on the *PCI Local Bus Specification, Rev. 2.2*, AGP is independent of the PCI bus and is intended for exclusive use with graphical display devices. AGP overcomes certain limitations of the PCI bus related to handling large amounts of graphics data with the following features:

- Pipelined memory read and write operations that hide memory access latency
- Demultiplexing of address and data on the bus for nearly 100 percent efficiency



#### NOTES

- AGP 2x operation is not supported.
- Install memory in the DIMM sockets prior to installing the AGP video card to avoid interference with the memory retention mechanism.
- The AGP connector is keyed for Universal 0.8 V AGP 3.0 cards or 1.5 V AGP 2.0 cards only. Do not attempt to install a legacy 3.3 V AGP card. The AGP connector is not mechanically compatible with legacy 3.3 V AGP cards.

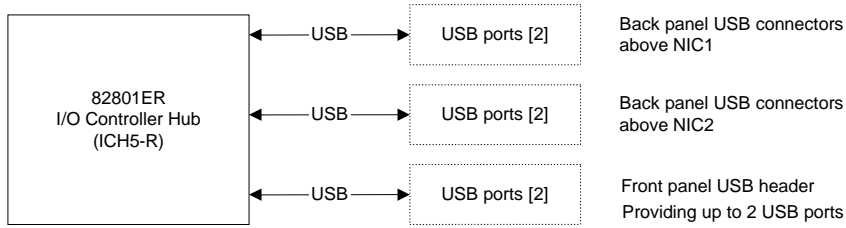
For information about	Refer to
The AGP connector	Section 5.3

### 3.2.2 USB

The Intel Server Board S875WP1-E supports up to six USB 2.0 ports, supports Universal Host Controller Interface (UHCI) and Enhanced Host Controller Interface (EHCI), and uses UHCI- and EHCI-compatible drivers.

The ICH5-R provides the USB controller for all ports, as shown in Figure 7. The port arrangement is as follows:

- Two ports are implemented with stacked back panel connectors, above NIC1
- Two ports are implemented with stacked back panel connectors, above NIC2
- Two ports are routed to the front panel USB header



OM16101

Figure 7. USB Port Configuration

**NOTES**

- Computer systems that have an unshielded cable attached to a USB port may not meet FCC Class B requirements, even if no device is attached to the cable. Use shielded cable that meets the requirements for full-speed devices.
- Native USB 2.0 support has been tested with Windows\* 2000 and Windows XP drivers and is not currently supported by any other operating system. See the Intel server board support website at <http://support.intel.com/support/motherboards/server/s875wp1-e> for possible driver updates for other operating systems.

For information about	Refer to
The location of the USB connectors on the back panel	Figure 1
The location of the front panel USB connector	Figure 1
The signal names of the front panel USB header	Section 5.9
Legacy USB support	Section 6.4
Wake from USB	Section 3.6

**3.2.3 IDE Interfaces**

The ICH5-R IDE controller has two independent bus-mastering IDE interfaces that can be independently enabled. The IDE interfaces support the following modes:

- Programmed I/O (PIO): processor controls data transfer.
- 8237-style DMA: DMA offloads the processor, supporting transfer rates of up to 16 MB/sec.
- Ultra DMA: DMA protocol on IDE bus supporting host and target throttling and transfer rates of up to 33 MB/sec.
  - ATA-66: DMA protocol on IDE bus supporting host and target throttling and transfer rates of up to 66 MB/sec. The ATA-66 protocol is similar to Ultra DMA and is device driver compatible.
  - ATA-100: DMA protocol on IDE bus allows host and target throttling. The ICH5-R ATA-100 logic can achieve read transfer rates up to 100 MB/sec and write transfer rates up to 88 MB/sec.

 **NOTE**

ATA-66 and ATA-100 are faster timings and require a specialized 40-pin, 80-wire cable to reduce reflections, noise, and inductive coupling.

The IDE interfaces also support ATAPI devices (such as CD-ROM drives) and ATA devices using the transfer modes. The BIOS supports Logical Block Addressing (LBA) and Extended Cylinder Head Sector (ECHS) translation modes. The drive reports the transfer rate and translation mode to the BIOS.

The Server Board S875WP1-E supports Laser Servo (LS-120) diskette technology through the IDE interfaces. The BIOS supports booting from an LS-120 drive.

 **NOTE**

The BIOS will always recognize an LS-120 drive as an ATAPI floppy drive. To ensure correct operation, do not configure the drive as a hard disk drive.

For information about	Refer to
The location of the IDE connectors	Figure 1
The signal names of the IDE connectors	Table 30
BIOS Setup program's Boot Configuration menu	Section 7.1.3.2
Drive Configuration Submenu	Section 7.1.3.4

### 3.2.3.1 SCSI Hard Drive Activity LED Connector

The SCSI hard drive activity LED connector is a 1 x 2-pin connector that allows an add-in SCSI controller to use the same LED as the on-board IDE controller. For proper operation, this connector should be wired to the LED output of the add-in SCSI controller. The LED indicates when data is being read from, or written to, both the add-in SCSI controller and the IDE controller.

For information about	Refer to
The location of the SCSI hard drive activity LED connector	Figure 1

### 3.2.4 Real-Time Clock, CMOS SRAM, and Battery

The real-time clock provides a time-of-day clock and a multi-century calendar with alarm features. The real-time clock supports 256 bytes of battery-backed CMOS SRAM in two banks that are reserved for BIOS use.

A coin-cell battery (CR2032) powers the real-time clock and CMOS memory. When the computer is not plugged into a wall socket, the battery has an estimated life of three years. When the computer is plugged in, the standby current from the power supply extends the life of the battery. The clock is accurate to  $\pm 13$  minutes/year at 25 °C with 3.3 VSB applied.

The time, date, and CMOS values can be specified in the BIOS Setup program. The CMOS values can be returned to their defaults by using the BIOS Setup program.



#### **NOTE**

If the battery and AC power fail, custom defaults, if previously saved, will be loaded into CMOS RAM at power-on.

### 3.2.5 Intel 82802AC 8 Megabit Firmware Hub (FWH)

The FWH provides the following:

- System BIOS program
- Logic that enables protection for storing and updating of platform information

## 3.3 Serial ATA (SATA) Support

### 3.3.1 SATA Interfaces

The Serial ATA controller provided by the ICH5-R offers two independent SATA ports with a theoretical maximum transfer rate of 150MB/s per port. One device can be installed on each port for a maximum of two SATA devices when using ICH5-R. Server board with order code of S875WP1 includes only two SATA ports through the ICH5-R. Server board with order code S875WP1LX includes an additional four SATA ports using an onboard Promise\* Serial ATA controller, for a maximum of six SATA drives. A point-to-point interface is used for host to device connections, unlike IDE which supports a master/slave configuration and two devices per channel.

For compatibility, the underlying SATA functionality is transparent to the operating system. The SATA controller can operate in both legacy and native modes. In legacy mode, standard IDE I/O and IRQ resources are assigned (IRQ 14 and 15). In native mode, standard PCI resource steering is used. Native mode is the preferred mode for configurations using the Windows XP and Windows 2000 operating systems.

Key features include:

- Two SATA ports
- Maximum throughput of 150MB/s
- Smaller cable



#### **NOTE**

- Many SATA drives use new low-voltage power connectors and require adaptors or power supplies equipped with low-voltage power connectors. For more information, see: <http://www.serialata.org/>
- ATA and SATA add-in controllers may experience resource conflicts IRQ 14 and 15. Refer to the tested hardware and operating system list at (URL). In some instances, onboard SATA controller may need to be disable to use those add-in controllers.

### 3.3.2 SATA RAID with ICH5-R Controller

Support for RAID (Redundant Array of Independent Disks) on the two SATA ports from the ICH5-R controller is planned for a future date. See <http://support.intel.com/support/motherboards/server/S875WP1-E/> for the availability information.

### 3.3.3 SATA RAID with Promise Technology\* PDC20319

The Intel Server Board S875WP1LX provides additional four port Serial ATA through the use of the Promise\* Technology PDC20319 ASIC. The PDC20319 SATA-150 controller contains four independent SATA channels that share a single 32-bit, 33-MHz PCI bus master interface as a multifunction device, packaged in a 144-pin LQFP.

The PDC 20319 controller supports the following features:

- Burst bus mastering and advanced packet command based scatter/gather engine to enhance overall system performance
- Built in 4 channels SATA PHY, which meets the SATA 1.0 specification and can transfer data with 1.5GHz speed
- Capable to support multiple arrays and quad master mode for dedicated SATA channel, up to four physical drive can operated at master mode.
- Quad independent data paths with read ahead and write posting supported for quad IDE channels to have high performance
- PCI interface that complies with PCI Local Bus Specification Revision 2.3 and PCI power management 1.1
- Support 48-bit LBA format for drives larger than 128GB
- 32-bit, 33-MHz bus speed and 150 MB/sec sustained transfer rate.

The Promise\* PDC20319 supports SATA RAID through four SATA Channels. The RAID Engine supports advance chained packet commands for XOR and four independent ATA operations improving performance for all RAID levels. In a RAID configuration, multiple SATA hard drives are placed into one or more arrays of disks. Each array is seen as an independent disk, though the array may include upwards of two, three, or four drives. The SATA RAID can be configured as follows:

- RAID 0: Striping one to four drives.
- RAID 1: Mirroring two drives.
- RAID 10: Striping and mirroring of data concurrently (requires 4 drives)

RAID 0 configurations are used for high-performance applications, as it doubles the sustained transfer rate of its drives. RAID 1 configurations are primarily used for data protection. It creates an identical drive backup to a secondary drive. Whenever a disk write is performed, the controller sends data simultaneously to a second drive located on a different data channel. With four drives attached to four SATA channels, one pair of striped drives can mirror themselves to another pair (RAID 10) for storage capacity and data redundancy.

### 3.4 I/O Controller

The SMSC\* LPC47M102 I/O Controller provides the following features:

- One serial port
- One parallel port with Extended Capabilities Port (ECP) and Enhanced Parallel Port (EPP) support
- Serial IRQ interface compatible with serialized IRQ support for PCI systems
- PS/2-style mouse and keyboard interfaces
- Interface for one 1.44 MB diskette drive
- Intelligent power management, including a programmable wake-up event interface
- PCI power management support

The BIOS Setup program provides configuration options for the I/O controller.

For information about	Refer to
SMSC LPC47M172 I/O controller	<a href="http://www.smsc.com">http://www.smsc.com</a>

#### 3.4.1 Serial Ports

The Intel Server Board S875WP1-E has one 9-pin D-sub serial port connector and one 2 x 5 serial port header. The serial port A connector is located in the rear I/O area. The serial port B header is located near the main power connector. The serial ports' NS16C550-compatible UART supports data transfers at speeds up to 115.2 kbits/sec with BIOS support. The serial ports can be assigned as COM1 (3F8h), COM2 (2F8h), COM3 (3E8h), or COM4 (2E8h).

For information about	Refer to
The signal names of the serial port A connector	Table 33
The location of the serial port B header	Figure 1
The signal names of the serial port B header	Table 34

### 3.4.2 Parallel Port

The 25-pin D-Sub parallel port connector is located in the rear I/O area. In the BIOS Setup program, the parallel port can be set to the following modes:

- 1 Output only (PC AT-compatible mode)
- 2 Bi-directional (PS/2 compatible)
- 3 EPP
  - ECP

For information about	Refer to
The location of the parallel port connector	Figure 1
Setting the parallel port's mode	Table 47

### 3.4.3 Diskette Drive Controller

The I/O controller supports one diskette drive that is compatible with the 82077 diskette drive controller and supports both PC-AT and PS/2 modes.

For information about	Refer to
The location of the diskette drive connector	Figure 1
The signal names of the diskette drive connector	Section 5.10
The supported diskette drive capacities and sizes	Table 50

### 3.4.4 Keyboard and Mouse Interface

PS/2 keyboard and mouse connectors are located on the back panel. The +5 V lines to these connectors are protected with a PolySwitch\* fuse circuit that, like a self-healing fuse, reestablishes the connection after an overcurrent condition is removed.



#### NOTE

The keyboard is supported in the bottom PS/2 connector and the mouse is supported in the top PS/2 connector. Power to the computer should be turned off before a keyboard or mouse is connected or disconnected.

The keyboard controller contains the American MegaTrends\* (AMI) keyboard and mouse controller code, provides the keyboard and mouse control functions, and supports password protection for power-on/reset. A power-on/reset password can be specified in the BIOS Setup program.

For information about	Refer to
The location of the keyboard and mouse connectors	Section 3.4.4
The signal names of the keyboard and mouse connectors	Table 35

### 3.5 Hardware Management Subsystem

The hardware management features enable the Intel Server Board S875WP1-E to be compatible with the Wired for Management (WfM) specification 2.0. The server board complies with DMI specification 2.0 and has several hardware management features, including the following:

- 4 Fan monitoring
- 5 Thermal and voltage monitoring
  - Chassis intrusion detection

#### 3.5.1 Hardware Monitoring and Fan Control ASIC

The features of the hardware monitoring and fan control ASIC (Standard Microsystems SMSC EMC6D101 or equivalent) include:

- 6 Internal ambient temperature sensor
- 7 Two remote thermal diode sensors for direct monitoring of processor temperature and ambient temperature sensing
- 8 Power supply monitoring of five voltages (+5 V, +12 V, +3.3 V Standby, +1.5 V, and +VCCP) to detect levels above or below acceptable values
- 9 Thermally monitored closed-loop fan control, for four fans, that can adjust the fan speed or switch the fans on or off as needed
  - SMBus interface

For information about	Refer to
The Standard Microsystems SMSC EMC6D101	<a href="http://www.smisc.com">http://www.smisc.com</a>

#### 3.5.2 Fan Monitoring

The Hardware Management ASIC provides four fan tachometer inputs. Monitoring can be implemented using LANDesk\* Client Manager or third-party software.

For information about	Refer to
The location of the fan connectors	Figure 1
The signal names of the fan connectors	Section 5.13.1

### 3.5.3 Chassis Intrusion and Detection

The Intel Server Board S875WP1-E supports a chassis security feature that detects if the chassis cover is removed. For the chassis intrusion circuit to function, the chassis' power supply must be connected to AC power. The security feature uses a mechanical switch on the chassis that attaches to the chassis intrusion connector. When the chassis cover is removed the mechanical switch is in the closed position.

For information about	Refer to
The location of the chassis intrusion connector	Figure 1



#### NOTE

Chassis intrusion detection may be implemented using LANDesk\* Client Manager or other third-party software.

## 3.6 Power Management

Power management is implemented at several levels, including:

- 10 Software support through Advanced Configuration and Power Interface (ACPI)
- 11 Hardware support:
  - Power connector
  - Fan connectors
  - LAN wake capabilities
  - Instantly Available PC technology
  - Wake from USB
  - Wake from PS/2 devices
  - Power Management Event (PME#) wake-up support

### 3.6.1 Advanced Configuration and Power Interface (ACPI)

ACPI gives the operating system direct control over the power management and Plug and Play functions of a computer. The use of ACPI with the Intel Server Board S875WP1-E requires an operating system that provides full ACPI support. ACPI features include:

- 12 Plug and Play (including bus and device enumeration)
- 13 Power management control of individual devices, add-in boards (some add-in boards may require an ACPI-aware driver), video displays, and hard disk drives
- 14 Methods for achieving less than 15-watt system operation in the standby or sleeping state
- 15 A Soft-off feature that enables the operating system to power-off the computer
- 16 Support for multiple wake-up events (see Table 7)
  - Support for a front panel power and sleep mode switch

Table 5 lists the system states based on how long the power switch is pressed, depending on how ACPI is configured with an ACPI-aware operating system.

**Table 5. Effects of Pressing the Power Switch**

If the system is in this state...	...and the power switch is pressed for	...the system enters this state
Off (ACPI S5 – Soft off)	Less than four seconds	Power-on (ACPI S0 – working state)
On (ACPI S0 – working state)	Less than four seconds	Soft-off/Standby (ACPI S1 or S3 – sleeping state)
On (ACPI S0 – working state)	More than four seconds	Fail safe power-off (ACPI S5 – Soft off)
Sleep (ACPI S1 or S3 – sleeping state)	Less than four seconds	Wake-up (ACPI S0 – working state)
Sleep (ACPI S1 or S3 – sleeping state)	More than four seconds	Power-off (ACPI S5 – Soft off)

**3.6.1.1 System States and Power States**

Under ACPI, the operating system directs all system and device power state transitions. The operating system puts devices in and out of low-power states based on user preferences and knowledge of how devices are being used by applications. Devices that are not being used can be turned off. The operating system uses information from applications and user settings to put the system as a whole into a low-power state.

Table 6 lists the power states supported by the Server Board S875WP1-E along with the associated system power targets. See the ACPI specification for a complete description of the various system and power states.

**Table 6. Power States and Targeted System Power**

Global States	Sleeping States	Processor States	Device States	Targeted System Power (Note 1)
G0 – working state	S0 – working	C0 – working	D0 – working state.	Full power > 30 W
G1 – sleeping state	S1 – Processor stopped	C1 – stop grant	D1, D2, D3 – device specification specific.	5 W < power < 52.5 W
G1 – sleeping state	S3 – Suspend to RAM. Context saved to RAM.	No power	D3 – no power except for wake-up logic.	Power < 5 W (Note 2)
G1 – sleeping state	S4 – Suspend to disk. Context saved to disk.	No power	D3 – no power except for wake-up logic.	Power < 5 W (Note 2)
G2/G5	S5 – Soft off. Context not saved. Cold boot is required.	No power	D3 – no power except for wake-up logic.	Power < 5 W (Note 2)

Global States	Sleeping States	Processor States	Device States	Targeted System Power (Note 1)
G3 – mechanical off AC power is disconnected from the computer.	No power to the system.	No power	D3 – no power for wake-up logic, except when provided by battery or external source.	No power to the system. Service can be performed safely.

**Notes:**

1. Total system power is dependent on the system configuration, including add-in boards and peripherals powered by the system chassis' power supply.
2. Dependent on the standby power consumption of wake-up devices used in the system.

### 3.6.1.2 Wake-up Devices and Events

Table 7 lists the devices or specific events that can wake the computer from specific states.

**Table 7. Wake-up Devices and Events**

These devices/events can wake up the computer...	...from this state
LAN	S1, S3, S4, S5 (Note)
Modem (back panel Serial Port A)	S1, S3
PME#	S1, S3, S4, S5 (Note)
Power switch	S1, S3, S4, S5
PS/2 devices	S1, S3
RTC alarm	S1, S3, S4, S5
USB	S1, S3

**NOTE**

- For LAN and PME#, S5 is disabled by default in the BIOS Setup program. Setting this option to Power On will enable a wake-up event from LAN in the S5 state.
- The use of these wake-up events from an ACPI state requires an operating system that provides full ACPI support. In addition, software, drivers, and peripherals must fully support ACPI wake events.

### 3.6.1.3 Plug and Play

In addition to power management, ACPI provides control information so that operating systems can facilitate Plug and Play. ACPI is used only to configure devices that do not use other hardware configuration standards. PCI devices for example, are not configured by ACPI.

### 3.6.2 Hardware Support



#### CAUTION

Ensure that the power supply provides adequate +5 V standby current if LAN wake capabilities and Instantly Available PC technology features are used. Failure to do so can damage the power supply. The total amount of standby current required depends on the wake devices supported and manufacturing options.

The Server Board S875WP1-E provides power management hardware features, including:

- 17 Power connector
- 18 Fan connectors
- 19 LAN wake capabilities
- 20 Instantly Available PC technology
- 21 Wake from USB
- 22 Wake from PS/2 keyboard
  - PME# wake-up support

LAN wake capabilities and Instantly Available PC technology require power from the +5 V standby line. The sections discussing these features describe the incremental standby power requirements for each.

#### 3.6.2.1 Power Connector

ATX12V or EPS12V compliant power supplies and the Intel Server Board S875WP1-E can turn off the system power through software control. When the system receives the correct command from the operating system, the power supply removes non-standby voltages from the system.

When power to the computer is interrupted by a power outage or a disconnected power cord, when power resumes, the computer returns to the power state it was in before power was interrupted (on or off). The computer's response can be set using the After Power Failure in the BIOS Setup program's Boot menu.

For information about	Refer to
The location of the power connectors	Figure 1
The signal names of the power connector	Section 5.1
The BIOS Setup program's Boot menu	Section 7.1.5

### 3.6.2.2 Fan Connectors



#### CAUTION

The processor fan must be connected to the processor fan connector, not to a chassis fan connector. Connecting the processor fan to a chassis fan connector may result in onboard component damage that will halt fan operation.

Table 8 summarizes the fan connector function/operation.

**Table 8. Fan Connector Function/Operation**

Connector	Description
Processor fan	<ul style="list-style-type: none"> <li>+12 V DC connection for a processor fan or active fan heatsink.</li> <li>Fan is on in the S0 or S1 state. Fan is off when the system is off or in the S3, S4, or S5 state.</li> <li>Wired to a fan tachometer input of the hardware monitoring and fan control ASIC.</li> <li>Closed-loop fan control that can adjust the fan speed or switch the fan on or off as needed.</li> </ul>
System fans	<ul style="list-style-type: none"> <li>+12 V DC connection for a system or chassis fan.</li> <li>Fan is on in the S0 or S1 state. Fan is off when the system is off or in the S3, S4, or S5 state.</li> <li>Wired to a fan tachometer input of the hardware monitoring and fan control ASIC.</li> <li>Closed-loop fan control that can adjust the fan speed or switch the fan on or off as needed.</li> </ul>

#### For information about:

The location of the fan connectors  
The signal names of the fan connectors

#### Refer to:

Figure 1  
Section 5.13.1

### 3.6.2.3 LAN Wake Capabilities



#### CAUTION

For LAN wake capabilities, the +5 V standby from the power supply must be capable of providing adequate +5 V standby current. Failure to provide adequate standby current when implementing LAN wake capabilities can damage the power supply.

LAN wake capabilities enable remote wake-up of the computer through a network. The LAN subsystem PCI bus network adapter monitors network traffic at the Media Independent Interface. Upon detecting a Magic Packet\* frame, the LAN subsystem asserts a wake-up signal that powers up the computer. Depending on the LAN implementation, the server board S875WP1-E supports LAN wake capabilities with ACPI in the following ways:

- 23 PCI bus PME# signal for PCI 2.2 compliant LAN designs
- Onboard LAN subsystem

### 3.6.2.4 Instantly Available PC Technology



#### CAUTION

For Instantly Available\* PC technology, the +5 V standby from the power supply must be capable of providing adequate +5 V standby current. Failure to provide adequate standby current when implementing Instantly Available PC technology can damage the power supply.

Instantly Available PC technology enables the server board S875WP1-E to enter the ACPI S3 (Suspend-to-RAM) sleep-state. While in the S3 sleep-state, the server will appear to be off (the power supply is off, and the front panel LED is amber if dual colored, or off if single colored.) When signaled by a wake-up device or event, the system quickly returns to its last known wake state. Table 7 lists the devices and events that can wake the computer from the S3 state.

The server board supports the *PCI Bus Power Management Interface Specification*. Add-in boards that also support this specification can participate in power management and can be used to wake the computer.

The use of Instantly Available PC technology requires operating system support and PCI 2.2 compliant add-in cards and drivers.

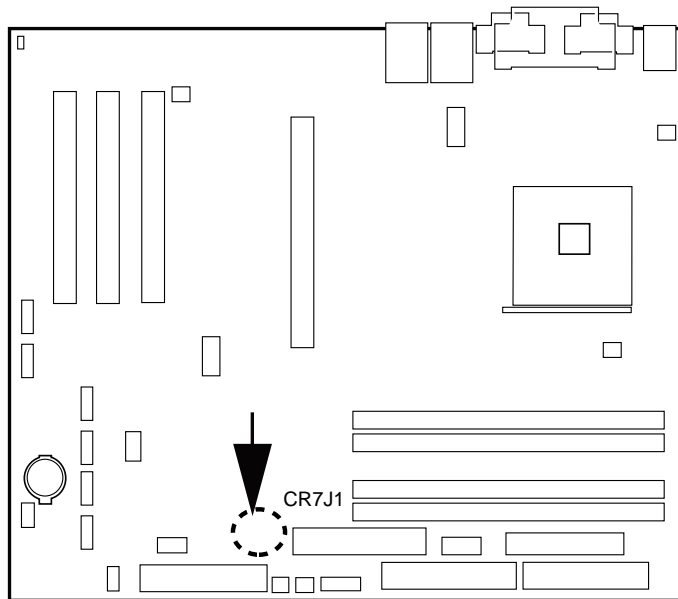
### 3.6.3 Standby Power (+5 V) Indicator LED

The standby power indicator LED (CR7J1) shows that power is still present even when the computer appears to be off. Figure 8 shows the location of the standby power indicator LED.



#### CAUTION

If AC power has been switched off and the standby power indicator is still lit, disconnect the power cord before installing or removing any devices connected to the board. Failure to do so could damage the board and any attached devices.



TP00185

**Figure 8. Location of the Standby Power Indicator LED (CR7J1)**

### 3.6.3.1 Wake from USB

USB bus activity wakes the computer from an ACPI S1 or S3 state.



#### **NOTE**

Wake from USB requires the use of a USB peripheral that supports it.

### 3.6.3.2 Wake from PS/2 Devices

PS/2 device activity wakes the computer from an ACPI S1 or S3 state.

### 3.6.3.3 PME# Wake-up Support

When the PME# signal on the PCI bus is asserted, the computer wakes from an ACPI S1, S3, S4, or S5 state (with Wake on PME enabled in BIOS).

### 3.7 Clock Generation and Distribution

All buses on the S875WP1-E baseboard operate using synchronous clocks. Clock synthesizer/driver circuitry on the baseboard generates clock frequencies and voltage levels as required, including the following:

- 24 100/133-MHz at 2.5 V & 3.3 V logic levels: For the mPGA478 socket, the MCH, and the ITP port.
- 25 66 MHz at 3.3 V logic levels: For the MCH and the AGP clocks.
- 26 33.3 MHz at 3.3 V logic levels: For the PCI slots and devices.
  - 14.318 MHz at 3.3V logic levels: ICH5-R and Super I/O clocks.

The synchronous clock sources on the S875WP1-E baseboard are:

- 27 100/133-MHz host clock generator for processor, MCH, Memory DIMMs, and the ITP.
- 28 66-MHz clock for MCH and the AGP clocks.
- 29 48-MHz clock for USB.
- 30 33.3-MHz PCI reference clock.
  - 14.318 MHz ICH5-R and Super I/O clocks.

The S875WP1-E baseboard also provides asynchronous clock generators:

- 31 25-MHz clocks for the embedded network interface controllers.
- 32 29.498928-MHz clock for the embedded video controller.
- 33 20-MHz clock for the Promise PDC20319 controller.
  - 32-KHz clock for the RTC.

### 3.8 PCI I/O Subsystem

The primary I/O bus for the Intel Server Board S875WP1-E is PCI, with one independent PCI bus. The PCI bus complies with the *PCI Local Bus Specification, Rev 2.2*. The PCI bus is directed through the Intel 82801ER I/O Controller Hub (ICH5-R). The table below lists the characteristics of the PCI bus.

**Table 9. PCI Bus Characteristics**

Voltage	Width	Speed	Type	Comments
5 V	32-bits	33 MHz	Independent Bus	Supports full-length cards

### 3.8.1 32-bit, 33-MHz PCI Subsystem

All 32-bit, 33-MHz PCI I/O for the Intel Server Board S875WP1-E is directed through the Intel 82801ER I/O Controller Hub (ICH5-R). The PCI bus supports the following embedded devices and connectors:

- 34 2D/3D Graphics Accelerator: ATI Rage XL Video Controller
- 35 SATA controller: Promise Technology PDC20319
  - Three PCI Slots

Each of the embedded devices listed above will be allocated a GPIO to disable the device.

#### 3.8.1.1 Device IDs (IDSEL)

Each device under the PCI hub bridge has its IDSEL signal connected to one bit of AD[31:16], which acts as a chip select on the PCI bus segment in configuration cycles. This determines a unique PCI device ID value for use in configuration cycles. The following table shows each IDSEL value for the PCI bus devices and the corresponding device description.

**Table 10. PCI Bus Configuration IDs**

IDSEL Value	Device
16	PCI slot 1 (closest to AGP connector)
17	PCI slot 2 (middle slot)
18	PCI slot 3 (closest to left edge of board)
22	ATI Rage XL Video Controller
23	ATA-100 controller Promise Technology PDC20319

### 3.8.2 Video Controller

The Intel Server Board S875WP1-E provides an ATI Rage XL PCI graphics accelerator, along with 8 MB of video SDRAM and support circuitry for an embedded SVGA video subsystem. The ATI Rage XL chip contains a SVGA video controller, clock generator, 2D and 3D engine, and RAMDAC in a 272-pin PBGA.

The SVGA subsystem supports a variety of modes, up to 1600 x 1200 resolution in 8/16/24/32 bpp modes under 2D, and up to 1024 x 768 resolution in 8/16/24/32 bpp modes under 3D. It also supports both CRT and LCD monitors up to 100 Hz vertical refresh rate.

The server board provides a standard 15-pin VGA connector and supports disabling of the on-board video through the BIOS Setup menu or when a plug-in video card is installed in the AGP slot or any of the PCI slots.

#### 3.8.2.1 Video Modes

The Rage XL chip supports all standard IBM VGA modes. The following table shows the 2D/3D modes supported for both CRT and LCD, as well as various display resolution, refresh rates, and color depths.

Table 11. Video Modes

2D Mode	Refresh Rate (Hz)	S875WP1-E 2D Video Mode Support			
		8 bpp	16 bpp	24 bpp	32 bpp
640x480	60, 72, 75, 90, 100	Supported	Supported	Supported	Supported
800x600	60, 70, 75, 90, 100	Supported	Supported	Supported	Supported
1024x768	60, 72, 75, 90, 100	Supported	Supported	Supported	Supported
1280x1024	43, 60	Supported	Supported	Supported	Supported
1280x1024	70, 72	Supported	–	Supported	Supported
1600x1200	60, 66	Supported	Supported	Supported	Supported
1600x1200	76, 85	Supported	Supported	Supported	–
3D Mode	Refresh Rate (Hz)	S875WP1-E 3D Video Mode Support with Z Buffer Enabled			
640x480	60,72,75,90,100	Supported	Supported	Supported	Supported
800x600	60,70,75,90,100	Supported	Supported	Supported	Supported
1024x768	60,72,75,90,100	Supported	Supported	Supported	Supported
1280x1024	43,60,70,72	Supported	Supported	–	–
1600x1200	60,66,76,85	Supported	–	–	–
3D Mode	Refresh Rate (Hz)	S875WP1-E 3D Video Mode Support with Z Buffer Disabled			
640x480	60,72,75,90,100	Supported	Supported	Supported	Supported
800x600	60,70,75,90,100	Supported	Supported	Supported	Supported
1024x768	60,72,75,90,100	Supported	Supported	Supported	Supported
1280x1024	43,60,70,72	Supported	Supported	Supported	–
1600x1200	60,66,76,85	Supported	Supported	–	–

### 3.8.2.2 Video Memory Interface

The memory controller subsystem of the Rage XL arbitrates requests from direct memory interface, the VGA graphics controller, the drawing coprocessor, the display controller, the video scalar, and hardware cursor. Requests are serviced in a manner that ensures display integrity and maximum CPU/coprocessor drawing performance.

The S875WP1-E supports an 8 MB SDRAM device for video memory.

### 3.9 Network Interface Controller (NIC) Subsystem

The Intel Server Board S875WP1-E supports two Network Interface Controllers (NICs), one that runs at 10/100Mb and is based on the Intel 82562ET NIC and the other that runs at one gigabit and is based on the Intel 82547EI NIC. When looking at the rear of the chassis, the gigabit NIC is at the left (closest to the video port) and the 10/100Mb NIC is at the right. The Intel Server Board S875WP1-E supports independent disabling of the two NIC controllers using the BIOS Setup menu.

The NIC subsystem consists of the following:

- 36 Intel 82801ER ICH5-R device with an integrated LAN Media Access Controller (MAC)
- 37 Intel 82547EI Platform LAN Connect (PLC) device for 10/100/1000 Mb/s Ethernet LAN connectivity
  - RJ-45 LAN connector with integrated status LEDs

The 82562ET is controlled by the ICH5 and supports the following features:

- 38 Integrated IEEE 802.3 10Base-T and 100Base-TX compatible PHY
- 39 IEEE 802.3u auto-negotiation support
- 40 Full duplex support at both 10 Mb/s and 100 Mb/s operation
- 41 Low power +3.3 V device with reduced power in unplugged mode and automatic detection of unplugged mode
  - 3-port LED support

The 82547EI is controlled by the CSA interface off of the MCH and supports the following features:

- 42 Basic 10/100/1000 Ethernet LAN connectivity
- 43 Integrated Gigabit Ethernet Media Access Control (MAC) and physical layer (PHY)
- 44 IEEE 802.3 10BASE-T/100BASE-TX/1000BASE-T compliant physical layer interface
- 45 IEEE 802.3ab Auto-Negotiation support
- 46 Low power (less than 350mW in active transmit mode)
- 47 Reduced power in "unplugged mode" (less than 50mW)
- 48 Automatic detection of "unplugged mode"
- 49 Communication Streaming Architecture (CSA) port provides higher throughput and lower latencies resulting in up to 30% higher bus throughput (up to wire speed)
- 50 Full device driver compatibility
- 51 Programmable transit threshold
- 52 Configuration EEPROM that contains the MAC address
  - Teaming and Fail over support

Additional features of the NIC subsystem include:

- 53 PCI bus master interface
- 54 CSMA/CD protocol engine
- 55 PCI power management
  - Supports ACPI technology
  - Supports LAN wake capabilities

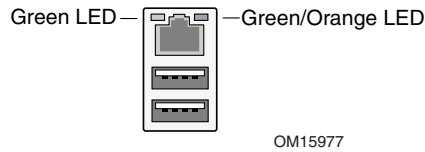
**3.9.1 RJ-45 LAN Connectors with Integrated LEDs**

Two LEDs are built into each RJ-45 LAN connector (as shown in Figure 9). For the 82562ET NIC, the yellow LED indicates a link to the LAN and the green LED indicates the connection speed. Table 12 describes the LED states when the board is powered up and the 82562ET 10/100 Ethernet LAN subsystem is operating.

**Table 12. 10/100 Ethernet LAN Connector LEDs**

LED Color	LED State	Indicates
Green (left LED)	Off	10 Mbit/sec data rate is selected.
	On	100 Mbit/sec data rate is selected.
Yellow (right LED)	Off	LAN link is not established.
	On (steady state)	LAN link is established.
	On (brighter and pulsing)	The computer is communicating with another computer on the LAN.

Table 13 describes the LED states when the board is powered up and the 10/100/1000 Mb/s LAN subsystem is operating.



**Figure 9. LAN Connector LED Locations**

**Table 13. 10/100/1000 LAN Connector LED States**

LED	Color	LED State	Condition
Left	Green	Off	LAN link is not established.
		On (steady state)	LAN link is established.
		On (brighter and pulsing)	The computer is communicating with another computer on the LAN.
Right	Green	Off	10 Mbit/sec data rate is selected.
		On	100 Mbit/sec data rate is selected.
	Orange	On	1000 Mbit/sec data rate is selected.

## 4. Maps and Interrupts

In this section, Table 14 describes the system memory map, Table 15 shows the I/O map, Table 16 lists the DMA channels, Table 17 defines the PCI configuration space map, and Table 18 describes the interrupts.

### 4.1 Memory Map

Table 14. System Memory Map

Address Range (decimal)	Address Range (hex)	Size	Description
1024 K - 4194304 K	100000 - FFFFFFFF	4095 MB	Extended memory
960 K - 1024 K	F0000 - FFFFF	64 KB	Runtime BIOS
896 K - 960 K	E0000 - EFFFF	64 KB	Reserved
800 K - 896 K	C8000 - DFFFF	96 KB	Available high DOS memory (open to the PCI bus)
640 K - 800 K	A0000 - C7FFF	160 KB	Video memory and BIOS
639 K - 640 K	9FC00 - 9FFFF	1 KB	Extended BIOS data (movable by memory manager software)
512 K - 639 K	80000 - 9FBFF	127 KB	Extended conventional memory
0 K - 512 K	00000 - 7FFFF	512 KB	Conventional memory

### 4.2 I/O Map

Table 15. I/O Map

Address (hex)	Size	Description
0000 - 00FF	256 bytes	Used by the Server Board S875WP1-E. Refer to the ICH5-R data sheet for dynamic addressing information.
0170 - 0177	8 bytes	Secondary IDE channel
01F0 - 01F7	8 bytes	Primary IDE channel
0228 - 022F (Note 1)	8 bytes	LPT3
0278 - 027F (Note 1)	8 bytes	LPT2
02E8 - 02EF (Note 1)	8 bytes	COM4/video (8514A)
02F8 - 02FF (Note 1)	8 bytes	COM2
0376	1 byte	Secondary IDE channel command port
0377, bits 6:0	7 bits	Secondary IDE channel status port
0378 - 037F	8 bytes	LPT1
03B0 - 03BB	12 bytes	Intel 82875P MCH
03C0 - 03DF	32 bytes	Intel 82875P MCH
03E8 - 03EF	8 bytes	COM3
03F0 - 03F5	6 bytes	Diskette channel 1

Address (hex)	Size	Description
03F6	1 byte	Primary IDE channel command port
03F8 - 03FF	8 bytes	COM1
04D0 - 04D1	2 bytes	Edge/level triggered PIC
LPTn + 400	8 bytes	ECP port, LPTn base address + 400h
0CF8 - 0CFB (Note 2)	4 bytes	PCI configuration address register
0CF9 (Note 3)	1 byte	Reset control register
0CFC - 0CFF	4 bytes	PCI configuration data register
FFA0 - FFA7	8 bytes	Primary bus master IDE registers
FFA8 - FFAF	8 bytes	Secondary bus master IDE registers

**Notes:**

1. Default, but can be changed to another address range
2. Dword access only
3. Byte access only

### 4.3 DMA Channels

**Table 16. DMA Channels**

DMA Channel Number	Data Width	System Resource
0	8 or 16 bits	Open
1	8 or 16 bits	Parallel port
2	8 or 16 bits	Diskette drive
3	8 or 16 bits	Parallel port (for ECP or EPP)
4	8 or 16 bits	DMA controller
5	16 bits	Open
6	16 bits	Open
7	16 bits	Open

## 4.4 PCI Configuration Space Map

Table 17. PCI Configuration Space Map

Bus Number (hex)	Device Number (hex)	Function Number (hex)	Description
00	00	00	Memory controller of Intel 82875P component
00	01	00	Host to AGP bridge (virtual P2P)
00	1E	00	Hub link to PCI bridge
00	1F	00	Intel 82801ER ICH5-R PCI-to-LPC bridge
00	1F	01	IDE controller
00	1F	03	SMBus controller
00	1F	05	AC '97 audio controller
00	1F	06	AC '97 modem controller (optional)
00	1D	00	USB UHCI controller 1
00	1D	01	USB UHCI controller 2
00	1D	02	USB UHCI controller 3
00	1D	07	EHCI controller
01	00	00	AGP add-in card
02	08	00	LAN controller
02	00	00	PCI bus connector 1
02	01	00	PCI bus connector 2
02	02	00	PCI bus connector 3
02	03	00	PCI bus connector 4
02	04	00	PCI bus connector 5
02	06	00	SATA/SATA RAID

## 4.5 Interrupts

The interrupts can be routed through the Advanced Programmable Interrupt Controller (APIC) portion of the ICH5-R component. The APIC is supported in Windows 2000 Server and Windows XP and supports a total of 24 interrupts.

**Table 18. Interrupts**

IRQ	System Resource
NMI	I/O channel check
0	Reserved, interval timer
1	Reserved, keyboard buffer full
2	Reserved, cascade interrupt from slave PIC
3	COM2 (Note 1)
4	COM1 (Note 1)
5	LPT2 (Plug and Play option)/User available
6	Diskette drive
7	LPT1 (Note 1)
8	Real-time clock
9	Reserved for ICH5-R system management bus
10	User available
11	User available
12	Onboard mouse port (if present, else user available)
13	Reserved, math coprocessor
14	Primary IDE (if present, else user available)
15	Secondary IDE (if present, else user available)
16	USB UHCI controller 1 (through PIRQA)
17	User available (through PIRQB)
18	ICH5-R USB controller 3 (through PIRQC)
19	ICH5-R USB controller 2 (through PIRQD)
20	ICH5-R LAN (through PIRQE)
21	User available (through PIRQF)
22	User available (through PIRQG)
23	ICH5-R USB 2.0 EHCI controller/User available (through PIRQH)

**Notes:**

1. Default, but can be changed to another IRQ.

## 4.6 PCI Interrupt Routing Map

This section describes interrupt sharing and how the interrupt signals are connected between the PCI bus connectors and onboard PCI devices. The PCI specification specifies how interrupts can be shared between devices attached to the PCI bus. In most cases, the small amount of latency added by interrupt sharing does not affect the operation or throughput of the devices. In some special cases where maximum performance is needed from a device, a PCI device should not share an interrupt with other PCI devices. Use the following information to avoid sharing an interrupt with a PCI add-in card.

PCI devices are categorized as follows to specify their interrupt grouping:

- 56 **INTA:** By default, all add-in cards that require only one interrupt are in this category. For almost all cards that require more than one interrupt, the first interrupt on the card is also classified as INTA.
- 57 **INTB:** Generally, the second interrupt on add-in cards that require two or more interrupts is classified as INTB. (This is not an absolute requirement.)
  - **INTC and INTD:** Generally, a third interrupt on add-in cards is classified as INTC and a fourth interrupt is classified as INTD.

The ICH5-R has eight programmable interrupt request (PIRQ) input signals. All PCI interrupt sources either onboard or from a PCI add-in card connect to one of these PIRQ signals. Some PCI interrupt sources are electrically tied together on the Server Board S875WP1-E and therefore share the same interrupt. Table 19 shows an example of how the PIRQ signals are routed.

For example, using Table 19 as a reference, assume an add-in card using INTB is plugged into PCI bus connector 3. In PCI bus connector 3, INTB is connected to PIRQA, which is already connected to the Promise PDC20319 Controller. The add-in card in PCI bus connector 3 now shares an interrupt with the onboard interrupt source.

**Table 19. PCI Interrupt Routing Map**

PCI Interrupt Source	ICH5-R PIRQ Signal Name							
	PIRQA	PIRQB	PIRQC	PIRQD	PIRQE	PIRQF	PIRQG	PIRQH
AGP connector	INTA	INTB						
PCI bus connector 1	INTF	INTG	INTH	INTE				
PCI bus connector 2	INTG	INTF	INTE	INTH				
PCI bus connector 3	INTB	INTC	INTD	INTA				
LAN_10/100	INTE							
ATI Rage XL	INTE							
Promise PD20319 Controller	INTB							



### NOTE

In PIC mode, the ICH5-R can connect each PIRQ line internally to one of the IRQ signals (3, 4, 5, 6, 7, 9, 10, 11, 12, 14, and 15). Typically, a device that does not share a PIRQ line will have a unique interrupt. However, in certain interrupt-constrained situations, it is possible for two or more of the PIRQ lines to be connected to the same IRQ signal. See Table 18 for the allocation of PIRQ lines to IRQ signals in APIC mode.

## 5. Connectors and Jumper Blocks

---

### 5.1 Power Connectors

The main power supply connection is obtained using either the 20-pin connector from an ATX12V power supply, or the 24-pin connector from an EPS12V power supply. The following table defines the pin-outs of the connector (For a 20-pin connector, the first 20 pins apply).

**Table 20. Power Connector Pin-out (J2J2)**

Pin	Signal	Color	Pin	Signal	Color
1	+3.3Vdc	Orange	13	+3.3Vdc	Orange
2	+3.3Vdc	Orange	14	-12Vdc	Blue
3	COM	Black	15	COM	Black
4	+5Vdc	Red	16	PS_ON#	Green
5	COM	Black	17	COM	Black
6	+5Vdc	Red	18	COM	Black
7	COM	Black	19	COM	Black
8	PWR_OK	Gray	20	RSVD_(-5V)	White
9	5VSB	Purple	21	+5Vdc	Red
10	+12Vdc	Yellow	22	+5Vdc	Red
11	+12Vdc	Yellow	23	+5Vdc	Red
12	+3.3Vdc	Orange	24	COM	Black

**Table 21. 12V CPU Power Connector (J4C1)**

Pin	Signal
1	Ground
2	Ground
3	Ground
4	Ground
5	+12V
6	+12V
7	+12V
8	+12V



#### NOTE

The board will not boot if the 12V CPU power connector is not attached to the board. The 12V CPU power from an ATX12V power supply will only have 4 pins.

Table 22. Auxiliary Power Connector (J4J1)

Pin	Signal
1	SMB_CLK_MAIN_CON
2	SMB_DATA_MAIN_CON
3	PS_ALERT#
4	GND
5	3.3V

## 5.2 PCI Bus Connectors

Table 23. PCI Bus Connectors

Pin	Signal Name	Pin	Signal Name	Pin	Signal Name	Pin	Signal Name
A1	Ground (TRST#) (See Note)	B1	-12 V	A32	AD16	B32	AD17
A2	+12 V	B2	Ground (TCK) (See Note)	A33	+3.3 V	B33	C/BE2#
A3	+5 V (TMS) (See Note)	B3	Ground	A34	FRAME#	B34	Ground
A4	+5 V (TDI) (See Note)	B4	Not connected (TDO)*	A35	Ground	B35	IRDY#
A5	+5 V	B5	+5 V	A36	TRDY#	B36	+3.3 V
A6	INTA#	B6	+5 V	A37	Ground	B37	DEVSEL#
A7	INTC#	B7	INTB#	A38	STOP#	B38	Ground
A8	+5 V	B8	INTD#	A39	+3.3 V	B39	LOCK#
A9 <sup>2</sup>	Reserved	B9	Not connected (PRSNT1#) (See Note)	A40	SMBus Clock Line	B40	PERR#
A10	+5 V (I/O)	B10	Reserved <sup>3</sup>	A41	SMBus Data Line	B41	+3.3 V
A11	Reserved	B11	Not connected (PRSNT2#) (See Note)	A42	Ground	B42	SERR#
A12	Ground	B12	Ground	A43	PAR	B43	+3.3 V
A13	Ground	B13	Ground	A44	AD15	B44	C/BE1#
A14	+3.3 V aux	B14	Reserved <sup>4</sup>	A45	+3.3 V	B45	AD14
A15	RST#	B15	Ground	A46	AD13	B46	Ground
A16	+5 V (I/O)	B16	CLK	A47	AD11	B47	AD12
A17	GNT#	B17	Ground	A48	Ground	B48	AD10
A18	Ground	B18	REQ#	A49	AD09	B49	Ground
A19	PME#	B19	+5 V (I/O)	A50	Key	B50	Key
A20	AD30	B20	AD31	A51	Key	B51	Key
A21	+3.3 V	B21	AD29	A52	C/BE0#	B52	AD08
A22	AD28	B22	Ground	A53	+3.3 V	B53	AD07
A23	AD26	B23	AD27	A54	AD06	B54	+3.3 V

Pin	Signal Name	Pin	Signal Name	Pin	Signal Name	Pin	Signal Name
A24	Ground	B24	AD25	A55	AD04	B55	AD05
A25	AD24	B25	+3.3 V	A56	Ground	B56	AD03
A26	IDSEL	B26	C/BE3#	A57	AD02	B57	Ground
A27	+3.3 V	B27	AD23	A58	AD00	B58	AD01
A28	AD22	B28	Ground	A59	+5 V (I/O)	B59	+5 V (I/O)
A29	AD20	B29	AD21	A60	REQ64#	B60	ACK64#
A30	Ground	B30	AD19	A61	+5 V	B61	+5 V
A31	AD18	B31	+3.3 V	A62	+5 V	B62	+5 V

**Note:**

1. The signals (in parentheses) are optional in the PCI specification and are not currently implemented.
2. On PCI Slot 3, A9 becomes P\_REQ5#
3. On PCI Slot 3, B10 becomes P\_GNT5#
4. On PCI Slot 3, B14 becomes CK\_P\_33M\_S3\_RISER

## 5.3 AGP Connector

Table 24. AGP Connector

Pin	Signal Name	Pin	Signal Name	Pin	Signal Name	Pin	Signal Name
A1	+12 V	B1	Not connected	A34	Vddq	B34	Vddq
A2	TYPEDET#	B2	+5 V	A35	AD22	B35	AD21
A3	Reserved	B3	+5 V	A36	AD20	B36	AD19
A4	Not connected	B4	Not connected	A37	Ground	B37	Ground
A5	Ground	B5	Ground	A38	AD18	B38	AD17
A6	INTA#	B6	INTB#	A39	AD16	B39	C/BE2#
A7	RST#	B7	CLK	A40	Vddq	B40	Vddq
A8	GNT1#	B8	REQ#	A41	FRAME#	B41	IRDY#
A9	Vcc3.3	B9	Vcc3.3	A42	Reserved	B42	+3.3 V (aux)
A10	ST1	B10	ST0	A43	Ground	B43	Ground
A11	Reserved	B11	ST2	A44	Reserved	B44	Reserved
A12	PIPE#	B12	RBF#	A45	Vcc3.3	B45	Vcc3.3
A13	Ground	B13	Ground	A46	TRDY#	B46	DEVSEL#
A14	WBF#	B14	Reserved	A47	STOP#	B47	Vddq
A15	SBA1	B15	SBA0	A48	PME#	B48	PERR#
A16	Vcc3.3	B16	Vcc3.3	A49	Ground	B49	Ground
A17	SBA3	B17	SBA2	A50	PAR	B50	SERR#
A18	SBSTB#	B18	SB_STB	A51	AD15	B51	C/BE1#
A19	Ground	B19	Ground	A52	Vddq	B52	Vddq
A20	SBA5	B20	SBA4	A53	AD13	B53	AD14
A21	SBA7	B21	SBA6	A54	AD11	B54	AD12
A22	Reserved	B22	Reserved	A55	Ground	B55	Ground
A23	Ground	B23	Ground	A56	AD9	B56	AD10
A24	Reserved	B24	+3.3 V (aux)	A57	C/BE0#	B57	AD8

Pin	Signal Name	Pin	Signal Name	Pin	Signal Name	Pin	Signal Name
A25	Vcc3.3	B25	Vcc3.3	A58	Vddq	B58	Vddq
A26	AD30	B26	AD31	A59	AD_STB0#	B59	AD_STB0
A27	AD28	B27	AD29	A60	AD6	B60	AD7
A28	Vcc3.3	B28	Vcc3.3	A61	Ground	B61	Ground
A29	AD26	B29	AD27	A62	AD4	B62	AD5
A30	AD24	B30	AD25	A63	AD2	B63	AD3
A31	Ground	B31	Ground	A64	Vddq	B64	Vddq
A32	AD_STB1#	B32	AD_STB1	A65	AD0	B65	AD1
A33	C/BE3#	B33	AD23	A66	VRREFG_C	B66	VREFC_G

**NOTE**

The AGP connector is keyed for 1.5 V AGP cards only. Do not attempt to install a legacy 3.3 V AGP card. The AGP connector is not mechanically compatible with legacy 3.3 V AGP cards.

## 5.4 Front Panel Connector

A high density, 34-pin SSI header is provided to support a system front panel. The header contains reset, NMI, power control buttons, and LED indicators. The following table details the pin out of the header.

**Table 25. High-Density Front Panel 34-Pin Header Pin Out (J7J1)**

Pin	Signal Name	Pin(s)	Function
1	Power LED Anode	2	5VSB
3	Key	4	Unused
5	GND	6	Unused
7	HDD Activity LED Anode	8	Unused
9	HDD Activity LED Cathode	10	Unused
11	Power Switch	12	NIC#1 Activity LED Anode
13	GND (Power Switch)	14	NIC#1 Activity LED Cathode
15	FP_RST*	16	I1C SDA
17	GND (Reset Switch)	18	I2C SDA
19	ACPI Sleep Switch	20	Chassis Intrusion
21	GND (ACPI Sleep Switch)	22	NIC#2 Activity LED Anode
23	Unused	24	NIC#2 Activity LED Cathode
25	Key	26	Key
27	Unused	28	Unused
29	Unused	30	Unused
31	Unused	32	Unused
33	Unused	34	Unused

## 5.5 VGA Connector

The following table details the pin out of the VGA connector.

**Table 26. VGA Connector Pin-out (J3A1)**

Pin	Signal Name
1	Red (analog color signal R)
2	Green (analog color signal G)
3	Blue (analog color signal B)
4	No connection
5	GND
6	GND
7	GND
8	GND
9	Fused VCC(+5V)
10	GND
11	No connection
12	V_MONID1
13	HSYNC (horizontal sync)
14	VSYNC (vertical sync)
15	V_MONID2

## 5.6 NIC /USB Connector

The Intel Server Board S875WP1-E supports two Magjack3\* connectors (dual USB + RJ45). The following table details the pin out of the connector.

**Table 27. Magjack3 Connector (dual USB + RJ45, Gbe) Pin Out (JA4A1)**

Pin	Signal Name	Pin	Signal Name
1	VREG_USB_BP_RIGHT	16	LAN_MDI_3
2	USB_BACK1_R#	17	LAN_MDI_3#
3	USB_BACK1_R	18	GND
4	GND	19	LAN_LINK_UP#
5	VREG_USB_BP_RIGHT	20	LAN_ACTLED#
6	USB_BACK2_R#	21	LAN_LINK_100#
7	USB_BACK2_R	22	LAN_LINK
8	GND	23	GND
9	LAN_VCT	24	GND
10	LAN_MDI_0	25	GND
11	LAN_MDI_0#	26	GND
12	LAN_MDI_1	27	GND
13	LAN_MDI_1#	28	GND
14	LAN_MDI_2	29	GND
15	LAN_MDI_2#	30	GND

**Table 28. Magjack3 Connector (dual USB + RJ45, 10/100) Pin Out (JA5A1)**

Pin	Signal Name	Pin	Signal Name
1	VREG_USB_BP_LEFT	16	NC
2	USB_BACK5_R#	17	NC
3	USB_BACK5_R	18	GND
4	GND	19	LAN_SPEEDLED#
5	VREG_USB_BP_LEFT	20	3.3V Stdbby
6	USB_BACK6_R#	21	LAN_LILED#
7	USB_BACK6_R	22	LAN_ACT_LED#
8	GND	23	GND
9	NC	24	GND
10	LAN_TDP	25	GND
11	LAN_TDN	26	GND
12	LAN_RDP	27	GND
13	LAN_RDN	28	GND
14	NC	29	GND
15	NC	30	GND

## 5.7 SATA/SATA RAID Connectors

The S875WP1-E board provides two (S875WP1) or six (S875WP1LX) SATA/SATA RAID connectors. The pin out for all connectors is identical and is listed in the following table.

**Table 29. SATA 7-pin Connectors Pin Out (J9E1, J9F1, J9G1, J9H1, J9H2, J9J2)**

Pin	Signal Name
1	Ground
2	TXP
3	TXN
4	Ground
5	RXN
6	RXP
7	Ground

## 5.8 ICH5-R IDE Connectors

The S875WP1-E board provides two 40-pin, low-density ICH5-R IDE connectors. The pin out for both connectors is identical and is listed in the following table.

**Table 30. ICH5-R IDE 40-pin Connector Pin Out (J5J1, J6J1)**

Pin	Signal Name	Pin	Signal Name
1	Reset IDE	2	Ground
3	Data 7	4	Data 8
5	Data 6	6	Data 9
7	Data 5	8	Data 10
9	Data 4	10	Data 11
11	Data 3	12	Data 12
13	Data 2	14	Data 13
15	Data 1	16	Data 14
17	Data 0	18	Data 15
19	Ground	20	Key
21	DDRQ0 [DDRQ1]	22	Ground
23	I/O Write#	24	Ground
25	I/O Read#	26	Ground
27	IOCHRDY	28	Ground
29	DDACK0# [DDACK1#]	30	Ground
31	IRQ 14 [IRQ 15]	32	Not connected
33	PDA1 (Address 1)	34	GPIO_DMA66_Detect_Pri (GPIO_DMA66_Detect_Sec)
35	PDA0 (Address 0)	36	PDA2 (Address 2)
37	Chip Select 1P# [Chip Select 1S#]	38	Chip Select 3P# [Chip Select 3S#]
39	Activity#	40	Ground

## 5.9 Front Panel USB Header

A header on the server board provides an option to support two additional USB connectors. The pin out of the header is detailed in the following table.

**Table 31. Front Panel USB Connector Pin-out (J7E1)**

Pin	Signal Name	Pin	Signal Name
1	USB_FNT1_PWR	2	USB_FNT1_PWR
3	USB_FRONT1_L#	4	USB_FRONT2_L#
5	USB_FRONT1_L	6	USB_FRONT2_L
7	Ground	8	Ground
9	Key	10	USB_OC_FNT_R1

**Note:** USB ports may be assigned as needed.

## 5.10 Floppy Connector

The Intel Server Board S875WP1-E provides a 34-pin connector interface to the floppy drive controller. The following table details the pin out of the 34-pin floppy connector.

**Table 32. 34-pin Floppy Connector Pin Out (J3J1)**

Pin	Signal Name	Pin	Signal Name
1	GND	2	DENSEL
3	Key	4	NC
5	Key	6	DRV/DEN1
7	GND	8	FDINDEX#
9	GND	10	MTR0# (Motor Enable A)
11	GND	12	NC
13	GND	14	DS0# (Drive Select A)
15	GND	16	NC
17	NC	18	DIR# (Stepper Motor Direction)
19	GND	20	STEP# (Step Pulse)
21	GND	22	WDATA# (Write Data)
23	GND	24	WGATE# (Write Enable)
25	GND	26	TRK0# (Track 0)
27	NC	28	WRTPRT# (Write Protect)
29	GND	30	RDATA# (Read Data)
31	GND	32	HDSEL# (Side 1 Select)
33	GND	34	DSKCHG# (Diskette Change)

## 5.11 Serial Port Connector

The Intel Server Board S875WP1-E has one 9-pin D-sub serial port connector and one 2 x 5 serial port connector. The following tables detail the pin outs of these two ports.

**Table 33. 9-pin Serial A Port Pin Out (J2A1)**

Pin	Signal Name
1	DCD (Data Carrier Detect)
2	RXD (Receive Data)
3	TXD (Transmit Data)
4	DTR (Data Terminal Ready)
5	GND
6	DSR (Data Set Ready)
7	RTS (Request to Send)
8	CTS (Clear to Send)
9	RI (Ring Indicator)

Table 34. 10-pin Header Serial B Port Pin Out (J6J4)

Pin	Signal Name
1	DCD (Data Carrier Detect)
2	RXD (Receive Data)
3	TXD (Transmit Data)
4	DTR (Data Terminal Ready)
5	GND
6	DSR (Data Set Ready)
7	RTS (Request to Send)
8	CTS (Clear to Send)
9	RI (Ring Indicator)
10	Key

## 5.12 Keyboard and Mouse Connector

PS/2 keyboard and mouse connectors are located on the back panel. The +5 V lines to these connectors are protected with a PolySwitch\* circuit that, like a self-healing fuse, reestablishes the connection after an overcurrent condition is removed.

### NOTE

The keyboard is supported in the bottom PS/2 connector and the mouse is supported in the top PS/2 connector. Power to the computer should be turned off before a keyboard or mouse is connected or disconnected.

The keyboard controller contains the AMI keyboard and mouse controller code, provides the keyboard and mouse control functions, and supports password protection for power-on/reset. A power-on/reset password can be specified in the BIOS Setup program.

Table 35. Keyboard /Mouse PS/2 Connector Pin Out (J1A1)

Pin	Signal Name
1	Data
2	NC
3	GND
4	+5 V (Fused)
5	Clock
6	NC

## 5.13 Miscellaneous Headers

### 5.13.1 Fan Headers

The Intel Server Board S875WP1-E provides four 3-pin fan headers. All fans use direct 12 volts. Four of the five fans, labeled “CPU\_FAN”, “SYSFAN1”, “SYSFAN2” and “SYSFAN4” are wired to a fan tachometer input of the Hardware Management ASIC. The third system fan, labeled “SYSFAN3” is not wired to the input of the Hardware Management ASIC and therefore is not monitored by any server management software.

**Table 36. Three-Pin Fan Headers Pin-Out**

Pin	Signal Name	Type	Description
1	CNTL	Power	GROUND is the power supply ground
2	VREG_12V_POWER	Power	12 V
3	Fan Tach	Out	FAN_TACH signal is connected to the Hardware Management ASIC to monitor the fan speed

## 5.14 System Recovery and Update Jumper

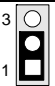
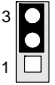
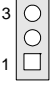


### CAUTION

Do not move any jumpers with the power on. Always turn off the power and unplug the power cord from the computer before changing a jumper setting. Otherwise, the board could be damaged.

This 3-pin jumper block determines the BIOS Setup program mode. Table 37 describes the jumper settings for the three modes: normal, configure, and recovery. When the jumper is set to configuration mode and the computer is powered-up, the BIOS compares the CPU version and the microcode version in the BIOS and reports if the two match.

**Table 37. BIOS Setup Configuration Jumper Settings (J8J2)**

Function/Mode	Jumper Setting	Configuration
Normal	1-2 	The BIOS uses current configuration information and passwords for booting.
Configure	2-3 	After the POST runs, Setup runs automatically. The maintenance menu is displayed.
Recovery	None 	The BIOS attempts to recover the BIOS configuration. A recovery diskette is required.

For information about	Refer to
How to access the BIOS Setup program	Section 7
BIOS recovery	Section 6.6

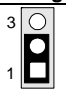
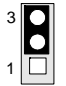
## 5.15 Clear CMOS Jumper

### CAUTION

Do not move any jumpers with the power on. Always turn off the power and unplug the power cord from the computer before changing a jumper setting. Otherwise, the board could be damaged.

This 3-pin jumper block allows the user to clear CMOS. Table 38 describes the jumper settings for the two modes: normal and clear CMOS. When the jumper is set to Clear CMOS mode and the computer is powered-up, the contents of the CMOS are cleared.

**Table 38. Clear CMOS Jumper Settings (J8G1)**

Function/Mode	Jumper Setting	Configuration
Normal	1-2 	Normal Operation.
Clear CMOS	2-3 	Clears contents of CMOS area.

## 6. BIOS Features

---

The Intel Server Board S875WP1-E uses an Intel/AMI\* BIOS that is stored in the Firmware Hub (FWH) and can be updated using a disk-based program. The FWH contains the BIOS Setup program, POST, the PCI auto-configuration utility, and Plug and Play support.

The Intel Server Board S875WP1-E supports system BIOS shadowing, allowing the BIOS to execute from 64-bit on-board write-protected system memory.

The BIOS displays a message during POST identifying the type of BIOS and a revision code. The initial production BIOS is identified as WP87510A.86B.

When the Intel Server Board S875WP1-E's jumper is set to configuration mode and the server is powered-up, the BIOS compares the processor version and the microcode version in the BIOS and reports if the two match.

For information about	Refer to
The Intel Server Board S875WP1-E's compliance level with Plug and Play	Section 3.6.1.3

### 6.1 BIOS Flash Memory Organization

The Intel 82802AC Firmware Hub (FWH) includes an 8 megabit symmetrical flash memory device. Internally, the device is grouped into eight 64-KB blocks that are individually erasable, lockable, and unlockable.

### 6.2 Resource Configuration

#### 6.2.1 PCI Autoconfiguration

The BIOS can automatically configure PCI devices. PCI devices may be on-board or add-in cards. Autoconfiguration lets a user insert or remove PCI cards without having to configure the system. When a user turns on the system after adding a PCI card, the BIOS automatically configures interrupts, the I/O space, and other system resources. Any interrupts set to Available in Setup are considered to be available for use by the add-in card. Autoconfiguration information is stored in ESCD format.

### 6.2.2 PCI IDE Support

If Auto is selected from the BIOS Setup program, the BIOS automatically sets up the two PCI IDE connectors with independent I/O channel support. The IDE interface supports hard drives up to ATA-66/100 and recognizes any ATAPI compliant devices, including CD-ROM drives, tape drives, and Ultra DMA drives (see Section 3.2.3). The BIOS determines the capabilities of each drive and configures them to optimize capacity and performance.

To take advantage of the high capacities typically available today, hard drives are automatically configured for Logical Block Addressing (LBA) and to PIO Mode 3 or 4, depending on the capability of the drive. The user can override the auto-configuration options by specifying manual configuration in the BIOS Setup program.

To use ATA-66/100 features the following items are required:

- 58 An ATA-66/100 peripheral device
- 59 An ATA-66/100 compatible cable
  - ATA-66/100 operating system device drivers



#### NOTES

- ATA-66/100 compatible cables are backward compatible with drives using slower IDE transfer protocols. If an ATA-66/100 disk drive and a disk drive using any other IDE transfer protocol are attached to the same cable, the maximum transfer rate between the drives is reduced to that of the slowest device.
- Do not connect an ATA device as a slave on the same IDE cable as an ATAPI master device. For example, do not connect an ATA hard drive as a slave to an ATAPI CD-ROM drive.

### 6.3 System Management BIOS (SMBIOS)

SMBIOS is a Server Management Interface (DMI) compliant method for managing computers in a managed network.

The main component of SMBIOS is the Management Information Format (MIF) database, which contains information about the computing system and its components. Using SMBIOS, a system administrator can obtain the system types, capabilities, operational status, and installation dates for system components. The MIF database defines the data and provides the method for accessing this information. The BIOS enables applications such as third-party management software to use SMBIOS. The BIOS stores and reports the following SMBIOS information:

- 60 BIOS data, such as the BIOS revision level
- 61 Fixed-system data, such as peripherals, serial numbers, and asset tags
- 62 Resource data, such as memory size, cache size, and processor speed
  - Dynamic data, such as event detection and error logging

Non-Plug and Play operating systems, such as Windows NT, require an additional interface for obtaining the SMBIOS information. The BIOS supports an SMBIOS table interface for such operating systems. Using this support, an SMBIOS service-level application running on a non-Plug and Play operating system can obtain the SMBIOS information.

## 6.4 Legacy USB Support

Legacy USB support enables USB devices such as keyboard, mice, and hubs to be used even when the operating system's USB drivers are not yet available. Legacy USB support is used to access the BIOS Setup program, and to install an operating system that supports USB. By default, Legacy USB support is set to Enabled.

Legacy USB support operates as follows:

1. When the user applies power to the computer, legacy support is disabled.
2. POST begins.
3. Legacy USB support is enabled by the BIOS allowing the user to use a USB keyboard to enter and configure the BIOS Setup program and the maintenance menu.
4. POST completes.
5. The operating system loads. While the operating system is loading, USB keyboard and mice are recognized and may be used to configure the operating system. (Keyboard and mice are not recognized during this period if Legacy USB support was set to disabled in the BIOS Setup program.)
6. After the operating system loads the USB drivers, all legacy and non-legacy USB devices are recognized by the operating system, and Legacy USB support from the BIOS is no longer used.

To install an operating system that supports USB, verify that Legacy USB support in the BIOS Setup program is set to Enabled and follow the operating system's installation instructions.

### **NOTE**

Legacy USB support is for keyboard, mice, and hubs only. Other USB devices are not supported in legacy mode.

## 6.5 BIOS Updates

The BIOS can be updated using either of the following utilities, which are available on the Intel World Wide Web site:

- Intel® Express BIOS update utility, which enables automated updating while in the Windows environment. Using this utility, the BIOS can be updated from a file on a hard disk, a 1.44 MB diskette, a CD-ROM, or from the file location on the Web.
- Intel® Flash Memory Update Utility, which requires creation of a boot diskette and manual rebooting of the system. Using this utility, the BIOS can be updated from a file on a 1.44 MB diskette (from a legacy diskette drive or an LS-120 diskette drive) or a CD-ROM.

Both utilities support the following BIOS maintenance functions:

- 63 Verifying that the updated BIOS matches the target system to prevent accidentally installing an incompatible BIOS.
- 64 Updating both the BIOS boot block and the main BIOS. This process is fault tolerant to prevent boot block corruption.
- 65 Updating the BIOS boot block separately.
- 66 Changing the language section of the BIOS.
- 67 Updating replaceable BIOS modules, such as the video BIOS module.
  - Inserting a custom splash screen.



### NOTE

Review the instructions distributed with the upgrade utility before attempting a BIOS update.

#### 6.5.1 Language Support

The BIOS Setup program and help messages are supported in two languages: US English and Spanish. Additional languages may be flashed in if desired (German, Italian and French available). The default language is US English, which is present unless another language is selected in the BIOS Setup program.

#### 6.5.2 Custom Splash Screen

During POST, an Intel splash screen is displayed by default. This splash screen can be replaced with a custom splash screen. A utility is available from Intel to assist with creating a custom splash screen. The custom splash screen can be programmed into the flash memory using the BIOS upgrade utility. Information about this capability is available on the Intel Support World Wide Web site.

## 6.6 Recovering BIOS Data

Some types of failure can destroy the BIOS. For example, the data can be lost if a power outage occurs while the BIOS is being updated in flash memory. The BIOS can be recovered from a diskette using the BIOS recovery mode. When recovering the BIOS, be aware of the following:

- Because of the small amount of code available in the non-erasable boot block area, there is no video support. The user can only monitor this procedure by listening to the speaker or looking at the diskette drive LED.
- The recovery process may take several minutes; larger BIOS flash memory devices require more time.
- Two beeps and the end of activity in the diskette drive indicate successful BIOS recovery.
- A series of continuous beeps indicates a failed BIOS recovery.

To create a BIOS recovery diskette, a bootable diskette must be created and the BIOS update files copied to it. BIOS upgrades and the Intel Flash Memory Update Utility are available from Intel Customer Support through the Intel World Wide Web site.



### NOTE

Even if the computer is configured to boot from an LS-120 diskette (in the Setup program's Removable Devices submenu), the BIOS recovery diskette must be a standard 1.44 MB diskette not a 120 MB diskette.

For information about	Refer to
The BIOS recovery mode jumper settings	Section 5.14
The Boot Device Priority menu in the BIOS Setup program	Section 7.1.6.1

## 6.7 Boot Options

In the BIOS Setup program, the user can choose to boot from a diskette drive, hard drives, CD-ROM, or the network. The default setting is for the diskette drive to be the first boot device, the hard drive second, the ATAPI CD-ROM third, and the network fourth. The fifth device is disabled.

### 6.7.1 CD-ROM and Network Boot

Booting from CD-ROM is supported in compliance to the E1 Torito bootable CD-ROM format specification. Under the Boot menu in the BIOS Setup program, ATAPI CD-ROM is listed as a boot device. Boot devices are defined in priority order. Accordingly, if there is not a bootable CD in the CD-ROM drive, the system will attempt to boot from the next defined drive.

The network can be selected as a boot device. This selection allows booting from the on-board NIC or a network add-in card with a remote boot ROM installed.

### 6.7.2 Booting Without Attached Devices

For use in embedded applications, the BIOS has been designed so that after passing the POST, the operating system loader is invoked even if the following devices are not present:

- 68 Video adapter
- 69 Keyboard
  - Mouse

## 6.8 Fast Booting Systems with Intel® Rapid BIOS Boot

These factors affect system boot speed:

- 70 Selecting and configuring peripherals properly
  - Using an optimized BIOS, such as the Intel Rapid BIOS

### 6.8.1 Intel Rapid BIOS Boot

Using the following BIOS Setup program settings reduces the POST execution time. In the Boot Menu:

- Set the hard disk drive as the first boot device. As a result, the POST does not first seek a diskette drive, which saves about one second from the POST execution time.
- Disable Quiet Boot, which eliminates display of the logo splash screen. This could save several seconds of painting complex graphic images and changing video modes.
- Enabled Intel Rapid BIOS Boot. This feature bypasses memory count and the search for a diskette drive.



#### NOTES

- It is possible to optimize the boot process to the point where the system boots so quickly that the Intel logo screen (or a custom logo splash screen) will not be seen. Monitors and hard disk drives with minimum initialization times can also contribute to a boot time that might be so fast that necessary logo screens and POST messages cannot be seen.
- This boot time may be so fast that some drives might not be initialized at all. If this condition should occur, it is possible to introduce a programmable delay ranging from three to 30 seconds (using the Hard Disk Pre-Delay feature of the Advanced Menu in the Drive Configuration Submenu of the BIOS Setup program).

For information about	Refer to
Drive Configuration Submenu in the BIOS Setup program	Section 7.1.3.4

## 6.9 BIOS Security Features

The BIOS includes security features that restrict access to the BIOS Setup program and who can boot the computer. A supervisor password and a user password can be set for the BIOS Setup program and for booting the computer, with the following restrictions:

- The supervisor password gives unrestricted access to view and change all the Setup options in the BIOS Setup program. This is the supervisor mode.
- The user password gives restricted access to view and change Setup options in the BIOS Setup program. This is the user mode.

- If only the supervisor password is set, pressing the <Enter> key at the password prompt of the BIOS Setup program allows the user restricted access to Setup.
- If both the supervisor and user passwords are set, users can enter either the supervisor password or the user password to access Setup. Users have access to Setup respective to which password is entered.
- Setting the user password restricts who can boot the computer. The password prompt will be displayed before the computer is booted. If only the supervisor password is set, the computer boots without asking for a password. If both passwords are set, the user can enter either password to boot the computer.

Table 39 shows the effects of setting the supervisor password and user password. This table is for reference only and is not displayed on the screen.

**Table 39. Supervisor and User Password Functions**

Password Set	Supervisor Mode	User Mode	Setup Options	Password to Enter Setup	Password During Boot
Neither	Can change all options (Note)	Can change all options (See Note)	None	None	None
Supervisor only	Can change all options	Can change a limited number of options	Supervisor Password	Supervisor	None
User only	N/A	Can change all options	Enter Password Clear User Password	User	User
Supervisor and user set	Can change all options	Can change a limited number of options	Supervisor Password Enter Password	Supervisor or user	Supervisor or user

**Note:** If no password is set, any user can change all Setup options.

**For information about**

Setting user and supervisor passwords

**Refer to**

Section 7.1.4

## 7. BIOS Setup Program

The BIOS Setup program can be used to view and change the BIOS settings for the computer. The BIOS Setup program is accessed by pressing the <F2> key after the Power-On Self-Test (POST) memory test begins and before the operating system boot begins. The menu bar is shown below.

Maintenance Main Advanced Security Power Boot Exit

Table 40 lists the BIOS Setup program menu features.

**Table 40. BIOS Setup Program Menu Bar**

Maintenance	Main	Advanced	Security	Power	Boot	Exit
Clears passwords and BIS credentials and enables extended configuration mode	Allocates resources for hardware components	Configures advanced features available through the chipset	Sets passwords and security features	Configures power management features	Selects boot options and power supply controls	Saves or discards changes to Setup program options



### NOTE

In this chapter, all examples of the BIOS Setup program menu bar include the maintenance menu; however, the maintenance menu is displayed only when the board is in configuration mode. Section 5.14 shows how to put the board into configuration mode.

Table 41 lists the function keys available for menu screens.

**Table 41. BIOS Setup Program Function Keys**

BIOS Setup Program Function Key	Description
<<-> or <->	Selects a different menu screen (Moves the cursor left or right)
<↑> or <↓>	Selects an item (Moves the cursor up or down)
<Tab>	Selects a field (Not implemented)
<Enter>	Executes command or selects the submenu
<F9>	Load the default configuration values for the current menu
<F10>	Save the current values and exits the BIOS Setup program
<Esc>	Exits the menu

### 7.1.1 Maintenance Menu

This menu is used to clear passwords and to access processor information. Setup only displays this menu when the BIOS Configuration jumper is in the configure mode. See page **Error!** **Bookmark not defined.** for information about setting the configure mode. To access this menu, select Maintenance on the menu bar at the top of the screen.

<b>Maintenance</b>	Main	Advanced	Security	Power	Boot	Exit
--------------------	------	----------	----------	-------	------	------

**Table 42. Maintenance Menu**

Feature	Options	Description
CPU Frequency	<ul style="list-style-type: none"> <li>8 to 1 ratio (default)</li> <li>12 to 1 ratio through 26 to 1 ratio</li> </ul>	
Clear All Passwords	<ul style="list-style-type: none"> <li>Ok (default)</li> <li>No</li> </ul>	Clears the user and administrative passwords.
Clear BIS Credentials	<ul style="list-style-type: none"> <li>Ok (default)</li> <li>No</li> </ul>	Clears the Wired for Management Boot Integrity Service (BIS) credentials.
CPU Stepping Signature	No options	Displays CPU's Stepping Signature.
CPU Microcode Update Revision	No options	Displays CPU's Microcode Update Revision.

### 7.1.2 Main Menu

To access this menu, select Main on the menu bar at the top of the screen.

Maintenance	<b>Main</b>	Advanced	Security	Power	Boot	Exit
-------------	-------------	----------	----------	-------	------	------

Table 43 describes the Main Menu. This menu reports processor and memory information and is for configuring the system date and system time.

**Table 43. Main Menu**

Feature	Options	Description
BIOS Version	No options	Displays the version of the BIOS.
Processor Type	No options	Displays processor type.
Processor Speed	No options	Displays processor speed.
System Bus Speed	No options	Displays the system bus speed.
System Memory Speed	No options	Displays the memory speed.
Cache RAM	No options	Displays the size of second-level cache.
Total Memory	No options	Displays the total amount of RAM.

Feature	Options	Description
Memory Mode	No options	Displays whether interleaved or single-channel memory mode is in place.
DIMM Slot 1A DIMM Slot 2A DIMM Slot 1B DIMM Slot 2B	No options	Displays the amount and type of DIMMs in the memory banks.
Memory Configuration	<ul style="list-style-type: none"> <li>• Non-ECC</li> <li>• ECC</li> </ul>	Allows the user to enable error reporting in the system and all installed memory supported ECC. If non-ECC memory is installed, BIOS will detect and change the setting to non-ECC.
Language	<ul style="list-style-type: none"> <li>• English (default)</li> <li>• Español</li> </ul>	Selects the current default language used by the BIOS (Deutsch, Italiano, and Français available via .lng files).
System Time	<ul style="list-style-type: none"> <li>• Hour, minute, and second</li> </ul>	Set current time. Use the Tab key to navigate fields
System Date	<ul style="list-style-type: none"> <li>• Day of week Month/day/year</li> </ul>	Set current date. Use the Tab key to navigate fields.

**NOTE**

Additional language support is available. For more information visit Intel's support web site at: [www.support.intel.com/support/motherboards/server/S875WP1-E](http://www.support.intel.com/support/motherboards/server/S875WP1-E)

### 7.1.3 Advanced Menu

To access this menu, select Advanced on the menu bar at the top of the screen.

Maintenance	Main	<b>Advanced</b>	Security	Power	Boot	Exit
		PCI Configuration				
		Boot Configuration				
		Peripheral Configuration				
		Drive Configuration				
		Floppy Configuration				
		Event Log Configuration				
		Video Configuration				
		USB Configuration				
		Chipset Configuration				
		Fan Control Configuration				
		Hardware Monitoring				
		Remote Access Configuration				

Table 44 describes the Advanced Menu. This menu is used for setting advanced features that are available through the chipset.

**Table 44. Advanced Menu**

Feature	Options	Description
PCI Configuration	Select to display submenu	Displays the PCI Configuration submenu.
Boot Configuration	Select to display submenu	Displays the Boot Configuration submenu.
Peripheral Configuration	Select to display submenu	Displays the Peripheral Configuration submenu.
Drive Configuration	Select to display submenu	Displays the Drive Configuration submenu.
Floppy Configuration	Select to display submenu	Displays the Floppy Configuration submenu.
Event Log Configuration	Select to display submenu	Displays the Event Log Configuration submenu.
Video Configuration	Select to display submenu	Displays the Video Configuration submenu
USB Configuration	Select to display submenu	Displays the USB Configuration submenu
Chipset Configuration	Select to display submenu	Displays the Chipset Configuration submenu
Fan Control Configuration	Select to display submenu	Displays the Fan Control Configuration submenu
Hardware Monitoring	Select to display submenu	Displays the Hardware Monitoring submenu.
Remote Access Configuration	Select to display submenu	Displays the Remote Access Configuration submenu.

### 7.1.3.1 PCI Configuration Submenu

To access this submenu, select Advanced on the menu bar, then PCI Configuration.

Maintenance	Main	Advanced	Security	Power	Boot	Exit
		<b>PCI Configuration</b>				
		Boot Configuration				
		Peripheral Configuration				
		Drive Configuration				
		Floppy Configuration				
		Event Log Configuration				
		Video Configuration				
		USB Configuration				
		Chipset Configuration				
		Fan Control Configuration				
		Hardware Monitoring				
		Remote Access Configuration				

The submenu represented by Table 45 is for configuring the IRQ priority of PCI slots individually.

**Table 45. PCI Configuration Submenu**

Feature	Options	Description
PCI Slot 1 IRQ Priority	<ul style="list-style-type: none"> <li>• Auto (default)</li> <li>• 5</li> <li>• 9</li> <li>• 10</li> <li>• 11</li> </ul>	Allows selection of IRQ priority.
PCI Slot 2 IRQ Priority (Note 1)	<ul style="list-style-type: none"> <li>• Auto (default)</li> <li>• 5</li> <li>• 9</li> <li>• 10</li> <li>• 11</li> </ul>	Allows selection of IRQ priority.
PCI Slot 3 IRQ Priority (Note 1)	<ul style="list-style-type: none"> <li>• Auto (default)</li> <li>• 5</li> <li>• 9</li> <li>• 10</li> <li>• 11</li> </ul>	Allows selection of IRQ priority.

**Notes:**

1. Additional interrupts may be available if certain on-board devices (such as the serial and parallel ports) are disabled.

### 7.1.3.2 Boot Configuration Submenu

To access this submenu, select Advanced on the menu bar, then Boot Configuration.

Maintenance	Main	<b>Advanced</b>	Security	Power	Boot	Exit
		PCI Configuration				
		<b>Boot Configuration</b>				
		Peripheral Configuration				
		Drive Configuration				
		Floppy Configuration				
		Event Log Configuration				
		Video Configuration				
		USB Configuration				
		Chipset Configuration				
		Fan Control Configuration				
		Hardware Monitoring				
		Remote Access Configuration				

The submenu represented by Table 46 is for setting Plug and Play (PnP) options, resetting configuration data, and the power-on state of the Numlock key.

**Table 46. Boot Configuration Submenu**

Feature	Options	Description
Plug and Play O/S	<ul style="list-style-type: none"> <li>• No (default)</li> <li>• Yes</li> </ul>	<p>Specifies if manual configuration is desired.</p> <p><i>No</i> lets the BIOS configure all devices. This setting is appropriate when using a Plug and Play operating system.</p> <p><i>Yes</i> lets the operating system configure Plug and Play devices not required to boot the system. This option is available for use during lab testing.</p>
Numlock	<ul style="list-style-type: none"> <li>• Off</li> <li>• On (default)</li> </ul>	<p>Specifies the power-on state of the Numlock feature on the numeric keypad of the keyboard.</p>

### 7.1.3.3 Peripheral Configuration Submenu

To access this submenu, select Advanced on the menu bar, then Peripheral Configuration.

Maintenance	Main	Advanced	Security	Power	Boot	Exit
		PCI Configuration				
		Boot Configuration				
		<b>Peripheral Configuration</b>				
		Drive Configuration				
		Floppy Configuration				
		Event Log Configuration				
		Video Configuration				
		USB Configuration				
		Chipset Configuration				
		Fan Control Configuration				
		Hardware Monitoring				
		Remote Access Configuration				

The submenu represented in Table 47 is used for configuring server peripherals.

**Table 47. Peripheral Configuration Submenu**

Feature	Options	Description
Serial Port A	<ul style="list-style-type: none"> <li>Disabled</li> <li>Enabled</li> <li>Auto (default)</li> </ul>	Configures serial port A. <i>Auto</i> assigns the first free COM port, normally COM1, the address 3F8h, and the interrupt IRQ4. An * (asterisk) displayed next to an address indicates a conflict with another device.
Base I/O Address	<ul style="list-style-type: none"> <li>3F8 (default)</li> <li>2F8</li> <li>3E8</li> <li>2E8</li> </ul>	This option is available only when Serial Port A is set to Enabled. Specifies the base I/O address for serial port A.
Interrupt	<ul style="list-style-type: none"> <li>IRQ 3</li> <li>IRQ 4 (default)</li> </ul>	This option is available only when Serial Port A is set to Enabled. Specifies the interrupt for serial port A.
Serial Port B	<ul style="list-style-type: none"> <li>Disabled</li> <li>Enabled</li> <li>Auto (default)</li> </ul>	Configures serial port B. <i>Auto</i> assigns the first free COM port, normally COM 2, the address 3F8h, and the interrupt IRQ4. An * (asterisk) displayed next to an address indicates a conflict with another device.
Mode	<ul style="list-style-type: none"> <li>Normal</li> <li>IrDA SIR-A</li> <li>ASK_IR</li> </ul>	This option is available to set Serial Port B Mode. This includes Normal and Infrared Modes.

Feature	Options	Description
Base I/O address	<ul style="list-style-type: none"> <li>• 3F8</li> <li>• 2F8 (default)</li> <li>• 3E8</li> <li>• 2E8</li> </ul>	This option is displayed only if Serial Port B is set to Enabled. Specifies the base I/O address for serial port B.
Interrupt	<ul style="list-style-type: none"> <li>• IRQ 3 (default)</li> <li>• IRQ 4</li> </ul>	This option is displayed only if Serial Port B is set to Enabled. Specifies the interrupt for serial port B.
Parallel Port	<ul style="list-style-type: none"> <li>• Disabled</li> <li>• Enabled</li> <li>• <b>Auto (default)</b></li> </ul>	Configures the parallel port. Auto assigns LPT1 the address 378h and the interrupt IRQ7. An * (asterisk) displayed next to an address indicates a conflict with another device.
Mode	<ul style="list-style-type: none"> <li>• Output Only</li> <li>• <b>Bi-directional (default)</b></li> <li>• EPP</li> <li>• ECP</li> </ul>	Selects the mode for the parallel port. Not available if the parallel port is disabled. Output Only operates in AT-compatible mode. Bi-directional operates in PS/2-compatible mode. EPP is Extended Parallel Port mode, a high-speed bi-directional mode. ECP is Enhanced Capabilities Port mode, a high-speed bi-directional mode.
Base I/O Address	<ul style="list-style-type: none"> <li>• <b>378 (default)</b></li> <li>• 278</li> </ul>	This feature is present only when Parallel Port is set to Enabled. Specifies the base I/O address for the parallel port.
Interrupt	<ul style="list-style-type: none"> <li>• IRQ 5</li> <li>• <b>IRQ 7 (default)</b></li> </ul>	This feature is present only when Parallel Port is set to Enabled. Specifies the interrupt for the parallel port.
DMA	<ul style="list-style-type: none"> <li>• 1</li> <li>• <b>3 (default)</b></li> </ul>	This feature is present only when Parallel Port Mode is set to ECP. Specifies the DMA channel.
10/100 NIC	<ul style="list-style-type: none"> <li>• Disabled</li> <li>• <b>Enabled (default)</b></li> </ul>	Enables or disables the on-board LAN#1 device.
Gigabit NIC	<ul style="list-style-type: none"> <li>• Disabled</li> <li>• <b>Enabled (default)</b></li> </ul>	Enables or disables the on-board LAN#2 device.
ATI Rage XL Video	<ul style="list-style-type: none"> <li>• Disabled</li> <li>• <b>Enabled (default)</b></li> </ul>	Enables or disables the on-board ATI* Rage XL video controller.
Promise PDC20319 S150 TX4	<ul style="list-style-type: none"> <li>• Disabled</li> <li>• <b>Enabled (default)</b></li> </ul>	Enables or disables RAID support.

### 7.1.3.4 Drive Configuration Submenu

To access this submenu, select Advanced on the menu bar, then Drive Configuration.

Maintenance	Main	Advanced	Security	Power	Boot	Exit
		PCI Configuration				
		Boot Configuration				
		Peripheral Configuration				
		<b>Drive Configuration</b>				
		Floppy Configuration				
		Event Log Configuration				
		Video Configuration				
		USB Configuration				
		Chipset Configuration				
		Fan Control Configuration				
		Hardware Monitoring				
		Remote Access Configuration				

The menu represented in Table 48 is used to configure drive device options.

**Table 48. Drive Configuration Submenu**

Feature	Options	Description
ATA / Drive Configuration	<ul style="list-style-type: none"> <li>Disabled</li> <li>Legacy</li> <li>Enhanced (default)</li> </ul>	Selects the mode for the integrated IDE controller. When Legacy is selected, a maximum of 4 drives can be installed. When Enhanced is selected, a maximum of 6 drives can be installed.
Legacy IDE Channels	<ul style="list-style-type: none"> <li>PATA Pri Only</li> <li>PATA Sec Only</li> <li>PATA Pri and Sec (default)</li> <li>P0 / P1 Only</li> <li>SATA P0 / P1, PATA Sec</li> <li>SATA P0 / P1, PATA Pri</li> </ul>	This option is available only when Legacy is selected as the IDE Mode.
PCI IDE Bus Master	<ul style="list-style-type: none"> <li>Enabled (default)</li> <li>Disabled</li> </ul>	

Feature	Options	Description
Hard Disk Pre-Delay	<ul style="list-style-type: none"> <li>• Disabled (default)</li> <li>• 3 Seconds</li> <li>• 6 Seconds</li> <li>• 9 Seconds</li> <li>• 12 Seconds</li> <li>• 15 Seconds</li> <li>• 21 Seconds</li> <li>• 30 Seconds</li> </ul>	Specifies the hard disk drive pre-delay.
Intel (R) RAID Technology	<ul style="list-style-type: none"> <li>• Disabled (default)</li> <li>• Enabled</li> </ul>	
SATA Port -0	Select to display sub-menu	Reports type of connected SATA device. When selected, displays SATA Port-0 submenu.
SATA Port -1	Select to display sub-menu	Reports type of connected SATA device. When selected, displays SATA Port-1 submenu.
PATA Primary Master	Select to display sub-menu	Reports type of connected IDE device. When selected, displays the Primary IDE Master submenu.
PATA Primary Slave	Select to display sub-menu	Reports type of connected IDE device. When selected, displays the Primary IDE Slave submenu.
PATA Secondary Master	Select to display sub-menu	Reports type of connected IDE device. When selected, displays the Secondary IDE Master submenu.
PATA Secondary Slave	Select to display sub-menu	Reports type of connected IDE device. When selected, displays the Secondary IDE Slave submenu.

**7.1.3.4.1 Primary/Secondary/Third/Fourth Master/Slave Submenus**

To access these submenus, select Advanced on the menu bar, then Drive Configuration, and then the master or slave to be configured.

Maintenance	Main	<b>Advanced</b>	Security	Power	Boot	Exit
		PCI Configuration				
		Boot Configuration				
		Peripheral Configuration				
		<b>Drive Configuration</b>				
		Floppy Configuration				
		Event Log Configuration				
		Video Configuration				
		USB Configuration				
		Chipset Configuration				
		Fan Control Configuration				
		Hardware Monitoring				
		Remote Access Configuration				

There are four IDE submenus: primary master, primary slave, secondary master, and secondary slave. Table 49 shows the format of the IDE submenus. For brevity, only one example is shown.

Table 49. Primary/Secondary Master/Slave Submenus

Feature	Options	Description
Drive Installed	No options	Displays the type of drive installed.
Type	<ul style="list-style-type: none"> <li>• User</li> <li>• Auto (default)</li> </ul>	Specifies the drive configuration. <i>User</i> allows capabilities to be changed. <i>Auto</i> fills-in capabilities from the device.
Maximum Capacity	No options	Displays the capacity of the drive. (SATA only)
LBA / Large Mode	<ul style="list-style-type: none"> <li>• Disabled</li> <li>• Auto (default)</li> </ul>	This option can be changed only if User is selected as the type.
Block Mode	<ul style="list-style-type: none"> <li>• Disabled</li> <li>• Auto (default)</li> </ul>	This option can be changed only if User is selected as the type.
PIO Mode	<ul style="list-style-type: none"> <li>• Auto (default)</li> <li>• 0</li> <li>• 1</li> <li>• 2</li> <li>• 3</li> <li>• 4</li> </ul>	This option can be changed only if User is selected as the type.
DMA Mode	<ul style="list-style-type: none"> <li>• Auto (default)</li> <li>• SWDMA 0, 1, or 2</li> <li>• MWDMA 0, 1, or 2</li> <li>• UDMA 0, 1, 2, 3, 4, 5</li> </ul>	This option can be changed only if User is selected as the type. SWDMA = Single Word DMA MWDMA = Multi Word DMA UDMA = Ultra DMA

Feature	Options	Description
S.M.A.R.T	<ul style="list-style-type: none"> <li>• Auto (default)</li> <li>• Disabled</li> <li>• Enabled</li> </ul>	This option can be changed only if User is selected as the type. If Auto is selected, this option is not displayed. Enables or disables Self-monitoring, Analysis, and Reporting Technology.
Cable Detected <sup>(Note)</sup>	No options	Displays the type of cable connected to the IDE interface: 40-conductor or 80-conductor (for ATA-66/100 devices).

Note: These configuration options appear only if an IDE device is installed.

**7.1.3.5 Floppy Configuration Submenu**

To access this menu, select Advanced on the menu bar, then Floppy Configuration.

Maintenance	Main	<b>Advanced</b>	Security	Power	Boot	Exit
			PCI Configuration			
			Boot Configuration			
			Peripheral Configuration			
			Drive Configuration			
			<b>Floppy Configuration</b>			
			Event Log Configuration			
			Video Configuration			
			USB Configuration			
			Chipset Configuration			
			Fan Control Configuration			
			Hardware Monitoring			
			Remote Access Configuration			

The submenu represented by Table 50 is used for configuring the diskette drive.

**Table 50. Floppy Configuration Submenu**

Feature	Options	Description
Diskette Controller	<ul style="list-style-type: none"> <li>Disabled</li> <li>Enabled (default)</li> </ul>	Disables or enables the integrated diskette controller.
Floppy A	<ul style="list-style-type: none"> <li>Disabled</li> <li>360 KB      5¼ inch</li> <li>1.2 MB      5¼ inch</li> <li>720 KB      3½ inch</li> <li>1.44 MB     3½ inch (default)</li> <li>2.88 MB     3½ inch</li> </ul>	Specifies the capacity and physical size of diskette drive A.
Diskette Write-Protect	<ul style="list-style-type: none"> <li>Disabled (default)</li> <li>Enabled</li> </ul>	Disables or enables write-protect for the diskette drive.

### 7.1.3.6 Event Log Configuration Submenu

To access this menu, select Advanced on the menu bar, then Event Log Configuration.

Maintenance	Main	<b>Advanced</b>	Security	Power	Boot	Exit
			PCI Configuration			
			Boot Configuration			
			Peripheral Configuration			
			Drive Configuration			
			Floppy Configuration			
			<b>Event Log Configuration</b>			
			Video Configuration			
			USB Configuration			
			Chipset Configuration			
			Fan Control Configuration			
			Hardware Monitoring			
			Remote Access Configuration			

The submenu represented by Table 51 is used to configure the event logging features.

**Table 51. Event Log Configuration Submenu**

Feature	Options	Description
Event Log	No options	Indicates if there is space available in the event log.
View Event Log	[Enter]	Displays the event log.
Clear Event Log	<ul style="list-style-type: none"> <li>• OK (default)</li> <li>• Cancel</li> </ul>	Clears the event log after rebooting.
Event Logging	<ul style="list-style-type: none"> <li>• Disabled</li> <li>• Enabled (default)</li> </ul>	Enables logging of events.
ECC Event Logging	<ul style="list-style-type: none"> <li>• Disabled</li> <li>• Enabled (default)</li> </ul>	Enables logging of ECC events.
Mark Events As Read	<ul style="list-style-type: none"> <li>• OK (default)</li> <li>• Cancel</li> </ul>	Marks all events as read.

**7.1.3.7 Video Configuration Submenu**

To access this menu, select Advanced on the menu bar, then Video Configuration.

Maintenance	Main	<b>Advanced</b>	Security	Power	Boot	Exit
			PCI Configuration			
			Boot Configuration			
			Peripheral Configuration			
			Drive Configuration			
			Floppy Configuration			
			Event Log Configuration			
			<b>Video Configuration</b>			
			USB Configuration			
			Chipset Configuration			
			Fan Control Configuration			
			Hardware Monitoring			
			Remote Access Configuration			

The submenu represented by Table 52 is used to configure the video features.

**Table 52. Video Configuration Submenu**

Feature	Options	Description
AGP Aperture Size	<ul style="list-style-type: none"> <li>• 4MB</li> <li>• 8MB</li> <li>• 16MB</li> <li>• 32MB</li> <li>• 64MB (default)</li> <li>• 128MB</li> <li>• 256MB</li> </ul>	Sets the aperture size for the AGP video controller.
Primary Video Adapter	<ul style="list-style-type: none"> <li>• AGP</li> <li>• PCI (default)</li> </ul>	Allows selecting an AGP or PCI video controller as the display device that will be active when the system boots. If using an AGP card and multi-monitor support is required, leave PCI as the default.

### 7.1.3.8 USB Configuration Submenu

To access this menu, select Advanced on the menu bar, then USB Configuration.

Maintenance	Main	Advanced	Security	Power	Boot	Exit
		PCI Configuration				
		Boot Configuration				
		Peripheral Configuration				
		Drive Configuration				
		Floppy Configuration				
		Event Log Configuration				
		Video Configuration				
		<b>USB Configuration</b>				
		Chipset Configuration				
		Fan Control Configuration				
		Hardware Monitoring				
		Remote Access Configuration				

The submenu represented by Table 52 is used to configure the USB features.

**Table 53. USB Configuration Submenu**

Feature	Options	Description
High-Speed USB	<ul style="list-style-type: none"> <li>Enabled (default)</li> <li>Disabled</li> </ul>	Enables or disables the USB 2.0 driver. Disable this option if the driver is not available.
Legacy USB support	<ul style="list-style-type: none"> <li>Disabled</li> <li>Enabled (default)</li> </ul>	Allows the use of legacy USB accessories.
USB 2.0 Legacy Support	<ul style="list-style-type: none"> <li>FullSpeed (default)</li> <li>HiSpeed</li> </ul>	FullSpeed = 480 Mbps HiSpeed = 12 Mbps
USB Data Area Relocation	<ul style="list-style-type: none"> <li>Disabled (default)</li> <li>Enabled</li> </ul>	

**7.1.3.9 Chipset Configuration Submenu**

To access this menu, select Advanced on the menu bar, then Chipset Configuration.

Maintenance	Main	<b>Advanced</b>	Security	Power	Boot	Exit
			PCI Configuration			
			Boot Configuration			
			Peripheral Configuration			
			Drive Configuration			
			Floppy Configuration			
			Event Log Configuration			
			Video Configuration			
			USB Configuration			
			<b>Chipset Configuration</b>			
			Fan Control Configuration			
			Hardware Monitoring			
			Remote Access Configuration			

The submenu represented by Table 52 is used to configure the chipset features.

**Table 54. Chipset Configuration Submenu**

Feature	Options	Description
ISA Enable Bit	<ul style="list-style-type: none"> <li>Disabled</li> <li>Enabled (default)</li> </ul>	This option is required by some IDE expansion devices.
PCI Latency Timer	<ul style="list-style-type: none"> <li>32</li> <li>64</li> <li>96</li> <li>128</li> <li>160</li> <li>192</li> <li>224</li> <li>248</li> </ul>	
Extended Configuration	<ul style="list-style-type: none"> <li>Default (default)</li> <li>User Defined</li> </ul>	
SDRAM Frequency	<ul style="list-style-type: none"> <li>Auto (default)</li> <li>266</li> <li>333</li> <li>400</li> </ul>	This option is available only if User Defined is selected as the Extended Configuration option. It allows the user to override the detected memory frequency value.

Feature	Options	Description
SDRAM Timing Control	<ul style="list-style-type: none"> <li>• Auto (default)</li> <li>• Manual – Aggressive</li> <li>• Manual – User Defined</li> </ul>	<p>This option is available only if User Defined is selected as the Extended Configuration option.</p> <p>Auto: Timings are programmed according to the memory detected.</p> <p>Manual – Aggressive: Selects the most aggressive user-defined timings.</p> <p>Manual – User Defined: Allows manual override of detected SDRAM settings.</p>
CPC Override	<ul style="list-style-type: none"> <li>• Auto (default)</li> <li>• Enable</li> <li>• Disable</li> </ul>	Command Per Clock. When enabled, it allows the DRAM controller to attempt chip select assertions in two consecutive common clocks.
SDRAM RAS Act. To Pre.	No options	
SDRAM CAS# Latency	No options	
SDRAM RAS# to CAS delay	No options	
SDRAM RAS# Precharge	No options	

**7.1.3.10 Fan Control Configuration Submenu**

To access this menu, select Advanced on the menu bar, then Fan Control Configuration.

Maintenance	Main	<b>Advanced</b>	Security	Power	Boot	Exit
		PCI Configuration				
		Boot Configuration				
		Peripheral Configuration				
		Drive Configuration				
		Floppy Configuration				
		Event Log Configuration				
		Video Configuration				
		USB Configuration				
		Chipset Configuration				
		<b>Fan Control Configuration</b>				
		Hardware Monitoring				
		Remote Access Configuration				

The submenu represented by Table 52 is used to configure the fan control features.

**Table 55. Fan Control Configuration Submenu**

Feature	Options	Description
Fan Control	<ul style="list-style-type: none"> <li>• Disabled</li> <li>• Enabled (default)</li> </ul>	
Lowest Fan Speed	<ul style="list-style-type: none"> <li>• Slow (default)</li> <li>• Off</li> </ul>	This option is available only if Enabled is selected as the Fan Control. Slow: At low system temperatures, the fans will continue to run at a slow speed. Off: At low system temperatures, the fans will turn off.

### 7.1.3.11 Hardware Monitoring Submenu

To access this menu, select Advanced on the menu bar, then Hardware Monitoring.

Maintenance	Main	<b>Advanced</b>	Security	Power	Boot	Exit
		PCI Configuration				
		Boot Configuration				
		Peripheral Configuration				
		Drive Configuration				
		Floppy Configuration				
		Event Log Configuration				
		Video Configuration				
		USB Configuration				
		Chipset Configuration				
		Fan Control Configuration				
		<b>Hardware Monitoring</b>				
		Remote Access Configuration				

The submenu represented by Table 52 is used to view the hardware that is monitored. These options can be viewed only, not changed.

**Table 56. Hardware Monitoring Submenu**

Feature	Options	Description
Processor Zone Temperature	No options	Displays processor zone temperature.
System Zone 1 Temperature	No options	Displays system zone 1 temperature.
System Zone 2 Temperature	No options	Displays system zone 2 temperature.
Processor Fan Speed	No options	Displays the speed at which the processor fan is running.
VReg Fan Speed	No options	Displays the speed for the rear fan.
Front Fan Speed	No options	Displays the speed for the front fan.
+1.5Vin	No options	Displays voltage level.
Vccp	No options	Displays voltage level.
+3.3Vin	No options	Displays voltage level.
+5Vin	No options	Displays voltage level.
+12Vin	No options	Displays voltage level.

**7.1.3.12 Remote Access Configuration Submenu**

To access this menu, select Advanced on the menu bar, then Remote Access Configuration.

Maintenance	Main	<b>Advanced</b>	Security	Power	Boot	Exit
		PCI Configuration				
		Boot Configuration				
		Peripheral Configuration				
		Drive Configuration				
		Floppy Configuration				
		Event Log Configuration				
		Video Configuration				
		USB Configuration				
		Chipset Configuration				
		Fan Control Configuration				
		Hardware Monitoring				
		<b>Remote Access Configuration</b>				

The submenu represented by Table 52 is used to configure the remote access features.

**Table 57. Remote Access Configuration Submenu**

Feature	Options	Description
Remote Access	<ul style="list-style-type: none"> <li>Disabled (default)</li> <li>Enabled</li> </ul>	Permits or denies the ability to remotely manage the system.
Serial Port Number	<ul style="list-style-type: none"> <li>COM1 (default)</li> <li>COM2</li> </ul>	<p>This option is available only if Enabled is set for the Remote Access option.</p> <p>Specifies the serial port to use for console redirection. In addition to selecting the port number in BIOS setup, make sure the selected port is enabled for use.</p>
Serial Port Mode	<ul style="list-style-type: none"> <li>115200 8,n,1</li> <li>57600 8,n,1 (default)</li> <li>19200 8,n,1</li> </ul>	<p>This option is available only if Enabled is set for the Remote Access option.</p> <p>Specifies the modem parameters for the selected Com port.</p>
Terminal Type	<ul style="list-style-type: none"> <li>VT100</li> </ul>	This option is available only if Enabled is set for the Remote Access option.
Post Boot Support	<ul style="list-style-type: none"> <li>Disabled (default)</li> <li>Enabled</li> </ul>	<p>This option is available only if Enabled is set for the Remote Access option.</p> <p>Specifies whether redirection should remain active after booting to DOS. When enabled, redirection remains active. When disabled, redirection is disabled upon booting to DOS.</p>

### 7.1.4 Security Menu

To access this menu, select Security from the menu bar at the top of the screen.

Maintenance	Main	Advanced	<b>Security</b>	Power	Boot	Exit
-------------	------	----------	-----------------	-------	------	------

The menu represented by Table 58 is for setting passwords and security features.

**Table 58. Security Menu**

If no password entered previously:		
Feature	Options	Description
Supervisor Password Is	No options	Reports if there is a supervisor password set.
User Password Is	No options	Reports if there is a user password set.
Set Supervisor Password	Password can be up to seven alphanumeric characters.	Specifies the supervisor password.
Set User Password	Password can be up to seven alphanumeric characters.	Specifies the user password.
Clear User Password (Note 1)	<ul style="list-style-type: none"> <li>• Ok (default)</li> <li>• No</li> </ul>	Clears the user password.
User Access Level (Note 2)	<ul style="list-style-type: none"> <li>• No Access</li> <li>• View Only</li> <li>• Limited</li> <li>• Full (default)</li> </ul>	Sets BIOS Setup Utility access rights for user level. No Access: User cannot access BIOS Setup. View Only: User can view BIOS Setup, but cannot make any changes. Limited: User can make limited changes in BIOS Setup. Full: User can change any field in BIOS Setup, except for the Supervisor Password.
Chassis Intrusion	<ul style="list-style-type: none"> <li>• Disabled (default)</li> <li>• Log</li> <li>• Log, notify once</li> <li>• Log, notify till cleared</li> </ul>	Determines whether the chassis will be monitored for intrusions and how intrusion logging should be handled.

Notes:

1. This feature appears only if a user password has been set.
2. This feature appears only if both a user password and a supervisor password have been set.

### 7.1.5 Power Menu

To access this menu, select Power from the menu bar at the top of the screen.

Maintenance	Main	Advanced	Security	<b>Power</b>	Boot	Exit
				ACPI		

The menu represented in Table 59 is for setting the power management features.

**Table 59. Power Menu**

Feature	Options	Description
ACPI	No Options	When selected, displays the ACPI submenu.
After Power Failure	<ul style="list-style-type: none"> <li>Stays Off</li> <li>Last State (default)</li> <li>Power On</li> </ul>	<p>Specifies the mode of operation if an AC power loss occurs.</p> <p>Power On restores power to the server.</p> <p>Stay Off keeps the power off until the power button is pressed.</p> <p>Last State restores the previous power state before power loss occurred.</p>
Wake on PCI PME	<ul style="list-style-type: none"> <li>Stay Off (default)</li> <li>Power On</li> </ul>	Specifies how the computer responds to a PCI power management event.

#### 7.1.5.1 ACPI Submenu

To access this menu, select Power on the menu bar, then ACPI.

Maintenance	Main	Advanced	Security	<b>Power</b>	Boot	Exit
				ACPI		

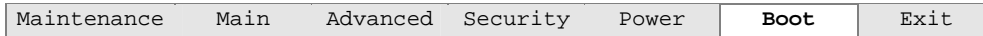
The submenu represented in Table 60 is for setting the ACPI features.

**Table 60. ACPI Submenu**

Feature	Options	Description
ACPI Suspend State	<ul style="list-style-type: none"> <li>S1 State</li> <li>S3 State (default)</li> </ul>	Specifies the ACPI sleep state.
Wake on LAN from S5	<ul style="list-style-type: none"> <li>Stay Off (default)</li> <li>Power On</li> </ul>	In ACPI soft-off mode only, determines how the system responds to a LAN wake-up event.

### 7.1.6 Boot Menu

To access this menu, select Boot from the menu bar at the top of the screen.



The menu represented in Table 61 is used to set the boot features and the boot sequence.

**Table 61. Boot Menu**

Feature	Options	Description
Silent Boot	<ul style="list-style-type: none"> <li>• Disabled (default)</li> <li>• Enabled</li> </ul>	Disabled displays normal POST messages. Enabled displays OEM graphic instead of POST messages.
AddOn ROM Display Mode	<ul style="list-style-type: none"> <li>• Enabled (default)</li> <li>• Disabled</li> </ul>	
Intel® Rapid BIOS Boot	<ul style="list-style-type: none"> <li>• Disabled</li> <li>• Enabled (default)</li> </ul>	Enables the computer to boot without running certain POST tests.
Scan User Flash Area	<ul style="list-style-type: none"> <li>• Disabled</li> <li>• Enabled (default)</li> </ul>	Enables the BIOS to scan the flash memory for user binary files that are executed at boot time.
PXE Boot to LAN	<ul style="list-style-type: none"> <li>• Disabled (default)</li> <li>• Enabled</li> </ul>	Enables PXE boot.
USB Boot	<ul style="list-style-type: none"> <li>• Disabled</li> <li>• Enabled (default)</li> </ul>	Enables the computer to boot from USB boot devices.
Boot Device Priority	Select to display submenu	Specifies the boot sequence from the available types of boot devices.
Removable Devices	Select to display submenu	Specifies the boot sequence from the available removable devices.
ATAPI CD-ROM Drives	Select to display submenu	Specifies the boot sequence from the available ATAPI CD-ROM drives.

**7.1.6.1 Boot Device Priority Submenu**

To access this menu, select Boot on the menu bar, then Boot Devices Priority.

Maintenance	Main	Advanced	Security	Power	<b>Boot</b>	Exit
						<b>Boot Device Priority</b>
						Hard Disk Drives
						Removable Devices
						ATAPI CDROM Drives

The submenu represented in Table 62 is for setting boot devices priority.

**Table 62. Boot Device Priority Submenu**

Feature	Options	Description
1 <sup>st</sup> Boot Device	<ul style="list-style-type: none"> <li>• Removable Dev.</li> <li>• Hard Drive</li> <li>• ATAPI CD-ROM</li> <li>• Intel® UNDI, PXE</li> <li>• Disabled</li> </ul>	Specifies the boot sequence from the available types of boot devices. To specify boot sequence: <ol style="list-style-type: none"> <li>1. Select the boot device with &lt;↑&gt; or &lt;↓&gt;.</li> <li>2. Press &lt;Enter&gt; to set the selection as the intended boot device.</li> </ol> The default settings for the first through fourth boot devices are, respectively: <ul style="list-style-type: none"> <li>• Removable Dev.</li> <li>• Hard Drive</li> <li>• ATAPI CD-ROM</li> <li>• Intel UNDI, PXE-2.0</li> </ul>
2 <sup>nd</sup> Boot Device		
3 <sup>rd</sup> Boot Device		
4 <sup>th</sup> Boot Device (Note 1)		

### 7.1.6.2 Hard Disk Drives Submenu

To access this menu, select Boot on the menu bar, then Hard Disk Drives.

Maintenance	Main	Advanced	Security	Power	<b>Boot</b>	Exit
					Boot Device Priority	
					<b>Hard Disk Drives</b>	
					Removable Devices	
					ATAPI CDROM Drives	

The submenu represented in Table 63 is for setting hard disk drive priority.

**Table 63. Hard Disk Drives Submenu**

Feature	Options	Description
1 <sup>st</sup> Hard Disk Drive (Note)	Dependent on installed hard drives	Specifies the boot sequence from the available hard disk drives. To specify boot sequence: 1. Select the boot device with <↑> or <↓>. 2. Press <Enter> to set the selection as the intended boot device.

Note:

This boot device submenu appears only if at least one boot device of this type is installed. This list will display up to twelve hard disk drives, the maximum number of hard disk drives supported by the BIOS.

**7.1.6.3 Removable Devices Submenu**

To access this menu, select Boot on the menu bar, then Removable Devices.

Maintenance	Main	Advanced	Security	Power	<b>Boot</b>	Exit
					Boot Device Priority	
					Hard Disk Drives	
					<b>Removable Devices</b>	
					ATAPI CDROM Drives	

The submenu represented in Table 64 is for setting removable device priority.

**Table 64. Removable Devices Submenu**

Feature	Options	Description
1 <sup>st</sup> Removable Device (Note)	Dependent on installed removable devices	Specifies the boot sequence from the available removable devices. To specify boot sequence: 1. Select the boot device with <↑> or <↓>. 2. Press <Enter> to set the selection as the intended boot device.

Note:

This boot device submenu appears only if at least one boot device of this type is installed. This list will display up to four removable devices, the maximum number of removable devices supported by the BIOS.

#### 7.1.6.4 ATAPI CDROM Drives Submenu

To access this menu, select Boot on the menu bar, then ATAPI CDROM Drives.

Maintenance	Main	Advanced	Security	Power	<b>Boot</b>	Exit
						Boot Device Priority
						Hard Disk Drives
						Removable Devices
						<b>ATAPI CDROM Drives</b>

The submenu represented in Table 65 is for setting ATAPI CDROM drive priority.

**Table 65. ATAPI CDROM Drives Submenu**

Feature	Options	Description
1 <sup>st</sup> ATAPI CDROM Drive (Note)	Dependent on installed ATAPI CDROM drives	Specifies the boot sequence from the available ATAPI CDROM drives. To specify boot sequence: 1. Select the boot device with <↑> or <↓>. 2. Press <Enter> to set the selection as the intended boot device.

Note:

This boot device submenu appears only if at least one boot device of this type is installed. This list will display up to four ATAPI CDROM drives, the maximum number of ATAPI CDROM drives supported by the BIOS.

#### 7.1.7 Exit Menu

To access this menu, select Exit from the menu bar at the top of the screen.

Maintenance	Main	Advanced	Security	Power	Boot	<b>Exit</b>
-------------	------	----------	----------	-------	------	-------------

The menu represented in Table 66 is for exiting the BIOS Setup program, saving changes, and loading and saving defaults.

**Table 66. Exit Menu**

Feature	Description
Exit Saving Changes	Exits and saves the changes in CMOS SRAM.
Exit Discarding Changes	Exits without saving any changes made in the BIOS Setup program.
Load Setup Defaults	Loads the factory default values for all the Setup options.
Load Custom Defaults	Loads the custom defaults for Setup options.
Save Custom Defaults	Saves the current values as custom defaults. Normally, the BIOS reads the Setup values from flash memory. If this memory is corrupted, the BIOS reads the custom defaults. If no custom defaults are set, the BIOS reads the factory defaults.
Discard Changes	Discards changes without exiting Setup. The option values present when the server was turned on are used.

## 8. Error Reporting and Handling

---

This section documents the types of system bus error conditions monitored by the Intel Server Board S875WP1-E.

### 8.1 Error Sources and Types

One of the major requirements of server management is to correctly and consistently handle system errors. System errors, which can be disabled and enabled individually or as a group, can be categorized as follows:

- 71 PCI bus
- 72 Memory single- and multi-bit errors
- 73 Sensors
- 74 Processor internal errors, bus/address errors, thermal trip errors, temperatures and voltages, and GTL voltage levels
  - Errors detected during POST, logged as 'POST errors'

On the S875WP1-E platform, the Heceta chip manages general hardware monitoring sensors on a hardware level; however action is only taken by software (i.e., an application such as LANDesk™ Client Manager).

#### 8.1.1 PCI Bus Errors

The PCI bus defines two error pins, PERR# and SERR#, for reporting PCI parity errors and system errors, respectively. In the case of PERR#, the PCI bus master has the option to retry the offending transaction, or to report it using SERR#. All other PCI-related errors are reported by SERR#. SERR# is routed to NMI if enabled by BIOS.

#### 8.1.2 Processor Bus Errors

The MCH supports the data integrity features supported by the Pentium® Pro bus, including address, request, and response parity. The 875P chipset always generates ECC data while it is driving the processor data bus, although the data bus ECC can be disabled or enabled by BIOS. It is enabled by default.

### 8.1.3 Single-Bit ECC Error Throttling Prevention

The system detects, corrects, and logs correctable errors as long as these errors occur infrequently, the system should continue to operate without a problem.

Occasionally, correctable errors are caused by a persistent failure of a single component. Although these errors are correctable, continual calls to the error logger can throttle the system, preventing further useful work.

For this reason, the system counts certain types of correctable errors and disables reporting if errors occur too frequently. Error correction remains enabled, but calls to the error handler are disabled. This allows the system to continue running, despite a persistent correctable failure. The BIOS adds an entry to the event log to indicate that logging for that type of error has been disabled. This entry indicates a serious hardware problem that must be repaired at the earliest possible time.

The system BIOS implements this feature for correctable bus errors. If ten errors occur within 30 minutes, the corresponding error handler disables further reporting of that type of error. The BIOS re-enables logging and SMIs the next time the system is rebooted.

### 8.1.4 Memory Bus Errors

The MCH is programmed to flag and log single-bit errors (SBEs) and multi-bit errors (MBEs). The MCH then triggers an SMI to the ICH5-R and the ICH5-R asserts the SMI# signal. BIOS then logs the errors in the event log.

## 8.2 BIOS Error Messages, POST Codes, and BIOS Beep Codes

The BIOS indicates the current testing phase during POST by writing a hex code to I/O location 80h. If errors are encountered, error messages or codes will either be displayed to the video screen, or if an error has occurred prior to video initialization, errors will be reported through a series of audio beep codes. POST errors are logged in to the SEL.

The error codes are defined by Intel and, whenever possible, are backward compatible with error codes used on earlier platforms.

### 8.2.1 BIOS Error Messages

During POST, if an error is detected, the BIOS will display an error code and message to the screen. The following table defines POST error codes and their associated messages. The BIOS prompts the user to press a key in case of serious errors. Some of the error messages are preceded by the string "Error" to highlight the fact that the system may be malfunctioning. All POST errors and warnings are logged in the SEL.

**Comment [JK1]:** •  
 •If a BIOS vendor specific error code is encountered, how is anyone going to know what it means if they are not defined in this doc?

**Table 67. BIOS Error Messages**

Error Message	Explanation
GA20 Error	An error occurred with Gate A20 when switching to protected mode during the memory test.
Pri Master HDD Error Pri Slave HDD Error Sec Master HDD Error Sec Slave HDD Error	Could not read sector from corresponding drive.
Pri Master Drive - ATAPI Incompatible Pri Slave Drive - ATAPI Incompatible Sec Master Drive - ATAPI Incompatible Sec Slave Drive - ATAPI Incompatible	Corresponding drive is not an ATAPI device. Run Setup to make sure device is selected correctly.
A: Drive Error	No response from diskette drive A.
B: Drive Error	No response from diskette drive B.
Cache Memory Bad	An error occurred when testing L2 cache. Cache memory may be bad.
CMOS Battery Low	The battery may be losing power. Replace the battery soon.
CMOS Display Type Wrong	The display type is different than what has been stored in CMOS. Check Setup to make sure type is correct.
CMOS Checksum Bad	The CMOS checksum is incorrect. CMOS memory may have been corrupted. Run Setup to reset values.
CMOS Settings Wrong	CMOS values are not the same as the last boot. These values have either been corrupted or the battery has failed.
CMOS Date/Time Not Set	The time and/or date values stored in CMOS are invalid. Run Setup to set correct values.
DMA Error	Error during read/write test of DMA controller.
FDC Failure	Error occurred trying to access diskette drive controller.
HDC Failure	Error occurred trying to access hard disk controller.
Checking NVRAM.....	NVRAM is being checked to see if it is valid.
Update OK!	NVRAM was invalid and has been updated.
Updated Failed	NVRAM was invalid but was unable to be updated.
Keyboard Error	Error in the keyboard connection. Make sure keyboard is connected properly.
KB/Interface Error	Keyboard interface test failed.
Memory Size Decreased	Memory size has decreased since the last boot. If no memory was removed then memory may be bad.
Memory Size Increased	Memory size has increased since the last boot. If no memory was added there may be a problem with the system.
Memory Size Changed	Memory size has changed since the last boot. If no memory was added or removed then memory may be bad.
No Boot Device Available	System did not find a device to boot.

Error Message	Explanation
Off Board Parity Error	A parity error occurred on an off-board card. This error is followed by an address.
On Board Parity Error	A parity error occurred in on-board memory. This error is followed by an address.
Parity Error	A parity error occurred in on-board memory at an unknown address.
NVRAM/CMOS/PASSWORD cleared by Jumper	NVRAM, CMOS, and passwords have been cleared. The system should be powered down and the jumper removed.
<CTRL_N> Pressed	CMOS is ignored and NVRAM is cleared. User must enter Setup.

### 8.2.2 Port 80h POST Codes

During the POST, the BIOS generates diagnostic progress codes (POST codes) to I/O port 80h. If the POST fails, execution stops and the last POST code generated is left at port 80h. This code is useful for determining the point where an error occurred.

Displaying the POST codes requires a PCI bus add-in card, often called a POST card. The POST card can decode the port and display the contents on a medium such as a seven-segment display.

The tables below offer descriptions of the POST codes generated by the BIOS. Table 68 defines the uncompressed INIT code checkpoints, Table 69 describes the boot block recovery code checkpoints, and Table 70 lists the runtime code uncompressed in F000 shadow RAM. Some codes are repeated in the tables because that code applies to more than one operation.

**Table 68. Uncompressed INIT Code Checkpoints**

Code	Description of POST Operation
D0	NMI is Disabled. Onboard KBC, RTC enabled (if present). Init code Checksum verification starting.
D1	Keyboard controller BAT test, CPU ID saved, and going to 4 GB flat mode.
D3	Do necessary chipset initialization, start memory refresh, and do memory sizing.
D4	Verify base memory.
D5	Init code to be copied to segment 0 and control to be transferred to segment 0.
D6	Control is in segment 0. To check recovery mode and verify main BIOS checksum. If either it is recovery mode or main BIOS checksum is bad, go to check point E0 for recovery else go to check point D7 for giving control to main BIOS.
D7	Find Main BIOS module in ROM image.
D8	Uncompress the main BIOS module.
D9	Copy main BIOS image to F000 shadow RAM and give control to main BIOS in F000 shadow RAM.

**Table 69 Boot Block Recovery Code Checkpoints**

Code	Description of POST Operation
E0	Onboard Floppy Controller (if any) is initialized. Compressed recovery code is uncompressed in F000:0000 in Shadow RAM and give control to recovery code in F000 Shadow RAM. Initialize interrupt vector tables, initialize system timer, initialize DMA controller and interrupt controller.
E8	Initialize extra (Intel Recovery) Module.
E9	Initialize floppy drive.
EA	Try to boot from floppy. If reading of boot sector is successful, give control to boot sector code.
EB	Bootting from floppy failed, look for ATAPI (LS-120, Zip) devices.
EC	Try to boot from ATAPI. If reading of boot sector is successful, give control to boot sector code.
EF	Bootting from floppy and ATAPI device failed. Give two beeps. Retry the bootting procedure again (go to check point E9).

**Table 70. Runtime Code Uncompressed in F000 Shadow RAM**

Code	Description of POST Operation
03	NMI is Disabled. To check soft reset/power-on.
05	BIOS stack set. Going to disable cache if any.
06	POST code to be uncompressed.
07	CPU init and CPU data area init to be done.
08	CMOS checksum calculation to be done next.
0B	Any initialization before keyboard BAT to be done next.
0C	KB controller I/B free. To issue the BAT command to keyboard controller.
0E	Any initialization after KB controller BAT to be done next.
0F	Keyboard command byte to be written.
10	Going to issue Pin-23,24 blocking/unblocking command.
11	Going to check pressing of <INS>, <END> key during power-on.
12	To init CMOS if "Init CMOS in every boot" is set or <END> key is pressed. Going to disable DMA and Interrupt controllers.
13	Video display is disabled and port-B is initialized. Chipset init about to begin.
14	8254 timer test about to start.
19	About to start memory refresh test.
1A	Memory Refresh line is toggling. Going to check 15 $\mu$ s ON/OFF time.
23	To read 8042 input port and disable Megakey GreenPC feature. Make BIOS code segment writeable.
24	To do any setup before Int vector init.
25	Interrupt vector initialization to begin. To clear password if necessary.
27	Any initialization before setting video mode to be done.
28	Going for monochrome mode and color mode setting.
2A	Different buses init (system, static, output devices) to start if present.
2B	To give control for any setup required before optional video ROM check.
2C	To look for optional video ROM and give control.
2D	To give control to do any processing after video ROM returns control.
2E	If EGA/VGA not found then do display memory R/W test.

Code	Description of POST Operation
2F	EGA/VGA not found. Display memory R/W test about to begin.
30	Display memory R/W test passed. About to look for the retrace checking.
31	Display memory R/W test or retrace checking failed. To do alternate Display memory R/W test.
32	Alternate Display memory R/W test passed. To look for the alternate display retrace checking.
34	Video display checking over. Display mode to be set next.
37	Display mode set. Going to display the power-on message.
38	Different buses init (input, IPL, general devices) to start if present.
39	Display different buses initialization error messages.
3A	New cursor position read and saved. To display the Hit <DEL> message.
40	To prepare the descriptor tables.
42	To enter in virtual mode for memory test.
43	To enable interrupts for diagnostics mode.
44	To initialize data to check memory wrap around at 0:0.
45	Data initialized. Going to check for memory wrap around at 0:0 and finding the total system memory size.
46	Memory wrap around test done. Memory size calculation over. About to go for writing patterns to test memory.
47	Pattern to be tested written in extended memory. Going to write patterns in base 640k memory.
48	Patterns written in base memory. Going to find out amount of memory below 1M memory.
49	Amount of memory below 1M found and verified. Going to find out amount of memory above 1M memory.
4B	Amount of memory above 1M found and verified. Check for soft reset and going to clear memory below 1M for soft reset. (If power on, go to check point # 4Eh).
4C	Memory below 1M cleared. (SOFT RESET) Going to clear memory above 1M.
4D	Memory above 1M cleared. (SOFT RESET) Going to save the memory size. (Go to check point # 52h).
4E	Memory test started. (NOT SOFT RESET) About to display the first 64k memory size.
4F	Memory size display started. This will be updated during memory test. Going for sequential and random memory test.
50	Memory testing/initialization below 1M complete. Going to adjust displayed memory size for relocation/shadow.
51	Memory size display adjusted due to relocation/ shadow. Memory test above 1M to follow.
52	Memory testing/initialization above 1M complete. Going to save memory size information.
53	Memory size information is saved. CPU registers are saved. Going to enter in real mode.
54	Shutdown successful, CPU in real mode. Going to disable gate A20 line and disable parity/NMI.
57	A20 address line, parity/NMI disable successful. Going to adjust memory size depending on relocation/shadow.
58	Memory size adjusted for relocation/shadow. Going to clear Hit <DEL> message.
59	Hit <DEL> message cleared. <WAIT...> message displayed. About to start DMA and interrupt controller test.
60	DMA page register test passed. To do DMA#1 base register test.
62	DMA#1 base register test passed. To do DMA#2 base register test.
65	DMA#2 base register test passed. To program DMA unit 1 and 2.
66	DMA unit 1 and 2 programming over. To initialize 8259 interrupt controller.
7F	Extended NMI sources enabling is in progress.
80	Keyboard test started. Clearing output buffer, checking for stuck key, to issue keyboard reset command.
81	Keyboard reset error/stuck key found. To issue keyboard controller interface test command.
82	Keyboard controller interface test over. To write command byte and init circular buffer.
83	Command byte written, global data init done. To check for lock-key.

Code	Description of POST Operation
84	Lock-key checking over. To check for memory size mismatch with CMOS.
85	Memory size check done. To display soft error and check for password or bypass setup.
86	Password checked. About to do programming before setup.
87	Programming before setup complete. To uncompress SETUP code and execute CMOS setup.
88	Returned from CMOS setup program and screen is cleared. About to do programming after setup.
89	Programming after setup complete. Going to display power-on screen message.
8B	First screen message displayed. <WAIT...> message displayed. PS/2 Mouse check and extended BIOS data area allocation to be done.
8C	Setup options programming after CMOS setup about to start.
8D	Going for hard disk controller reset.
8F	Hard disk controller reset done. Floppy setup to be done next.
91	Floppy setup complete. Hard disk setup to be done next.
95	Init of different buses optional ROMs from C800 to start.
96	Going to do any init before C800 optional ROM control.
97	Any init before C800 optional ROM control is over. Optional ROM check and control will be done next.
98	Optional ROM control is done. About to give control to do any required processing after optional ROM returns control and enable external cache.
99	Any initialization required after optional ROM test over. Going to setup timer data area and printer base address.
9A	Return after setting timer and printer base address. Going to set the RS-232 base address.
9B	Returned after RS-232 base address. Going to do any initialization before Coprocessor test.
9C	Required initialization before Coprocessor is over. Going to initialize the Coprocessor next.
9D	Coprocessor initialized. Going to do any initialization after Coprocessor test.
9E	Initialization after Coprocessor test is complete. Going to check extended keyboard, keyboard ID and num-lock.
A2	Going to display any soft errors.
A3	Soft error display complete. Going to set keyboard typematic rate.
A4	Keyboard typematic rate set. To program memory wait states.
A5	Going to enable parity/NMI.
A7	NMI and parity enabled. Going to do any initialization required before giving control to optional ROM at E000.
A8	Initialization before E000 ROM control over. E000 ROM to get control next.
A9	Returned from E000 ROM control. Going to do any initialization required after E000 optional ROM control.
AA	Initialization after E000 optional ROM control is over. Going to display the system configuration.
AB	Put INT13 module runtime image to shadow.
AC	Generate MP for multiprocessor support (if present).
AD	Put CGA INT10 module (if present) in Shadow.
AE	Uncompress SMBIOS module and init SMBIOS code and form the runtime SMBIOS image in shadow.
B1	Going to copy any code to specific area.
00	Copying of code to specific area done. Going to give control to INT-19 boot loader.

### 8.2.2.1 BIOS Beep Codes

Whenever a recoverable error occurs during POST, the BIOS displays an error message describing the problem (see Table 67). The BIOS also issues a beep code (one long tone

followed by two short tones) during POST if the video configuration fails (a faulty video card or no card installed) or if an external ROM module does not properly checksum to zero.

An external ROM module (for example, a video BIOS) can also issue audible errors, usually consisting of one long tone followed by a series of short tones. For more information on the beep codes issued, check the documentation for that external device.

There are several POST routines that issue a POST terminal error and shut down the system if they fail. Before shutting down the system, the terminal-error handler issues a beep code signifying the test point error, writes the error to I/O port 80h, attempts to initialize the video and writes the error in the upper left corner of the screen (using both monochrome and color adapters).

If POST completes normally, the BIOS issues one short beep before passing control to the operating system.

**Table 71. BIOS Beep Codes**

<b>Beep</b>	<b>Description</b>
1	Refresh failure
2	Parity cannot be reset
3	First 64 KB memory failure
4	Timer not operational
5	Not used
6	8042 GateA20 cannot be toggled
7	Exception interrupt error
8	Display memory R/W error
9	Not used
10	CMOS Shutdown register test error
11	Invalid BIOS (e.g. POST module not found, etc.)

### 8.3 Bus Initialization Checkpoints

The system BIOS gives control to the different buses at several checkpoints to do various tasks. Table 72 describes the bus initialization checkpoints.

**Table 72. Bus Initialization Checkpoints**

Checkpoint	Description
2A	Different buses init (system, static, and output devices) to start if present.
38	Different buses init (input, IPL, and general devices) to start if present.
39	Display different buses initialization error messages.
95	Init of different buses optional ROMs from C800 to start.

While control is inside the different bus routines, additional checkpoints are output to port 80h as WORD to identify the routines under execution. In these WORD checkpoints, the low byte of the checkpoint is the system BIOS checkpoint from which the control is passed to the different bus routines. The high byte of the checkpoint is the indication of which routine is being executed in the different buses. Table 73 describes the upper nibble of the high byte and indicates the function that is being executed.

**Table 73. Upper Nibble High Byte Functions**

Value	Description
0	func#0, disable all devices on the bus concerned.
1	func#1, static devices init on the bus concerned.
2	func#2, output device init on the bus concerned.
3	func#3, input device init on the bus concerned.
4	func#4, IPL device init on the bus concerned.
5	func#5, general device init on the bus concerned.
6	func#6, error reporting for the bus concerned.
7	func#7, add-on ROM init for all buses.

Table 74 describes the lower nibble of the high byte and indicates the bus on which the routines are being executed.

**Table 74. Lower Nibble High Byte Functions**

Value	Description
0	Generic DIM (Device Initialization Manager)
1	On-board System devices
2	ISA devices
3	EISA devices
4	ISA PnP devices
5	PCI devices

## 9. General Specifications

### 9.1 Absolute Maximum Ratings

Operating an S875WP1-E baseboard at conditions, beyond those shown in the following table, may cause permanent damage to the system. The table is provided for stress testing purposes only. Exposure to absolute maximum rating conditions for extended periods may affect system reliability.

**Table 75. Absolute Maximum Ratings**

Operating Temperature	5 degrees C to 50 degrees C <sup>1</sup>
Storage Temperature	-55 degrees C to +150 degrees C
Voltage on any signal with respect to ground	-0.3 V to Vdd + 0.3V <sup>2</sup>
3.3 V Supply Voltage with Respect to ground	-0.3 V to 3.63 V
5 V Supply Voltage with Respect to ground	-0.3 V to 5.5 V

**Notes:**

1. Chassis design must provide proper airflow to avoid exceeding the Intel® Pentium® III processor "Coppermine-T or Tualatin" maximum case temperature.
2. VDD means supply voltage for the device.

### 9.2 S875WP1-E Power Budget

The following table shows the power consumed on each supply line for a Intel Server Board S875WP1-E that is configured with one Intel Pentium 4 processor (pulling max current), all PCI slots full and pulling max amount of current, memory completely full, AGP card installed, 4 SATA drives on Promise PDC20319 controller actively running, 2 SATA drives hooked up to ICH5-R controller, USB pulling max current, and fans assuming max current draw X 5. The numbers provided in the table should be used for reference purposes only. Different hardware configurations will produce different numbers. The numbers in the table reflect a common usage model operating at higher-than-average stress levels.

**Table 76. S875WP1-E Power Budget**

Device(s)	3.3V	+5V	+12V	-12V	5V Standby	
Processors	0	0	5.44			
Memory DIMMs	0	11.1	0			
Server board	7.390318	4.633	0.0244	0.1	0.702	
Fans	0	0	1.8			
Keyboard/Mouse	0	0.8	0			
PCI slots	14.355	3	0.9			
Peripheral	1.9	7.79	5.9196			
Total Current	23.64532	27.323	14.084	0.1	0.702	<b>Total</b>
Total Power	78.02955	136.615	169.008	1.2	3.51	388.3626

## 9.3 Product Regulatory Compliance

### 9.3.1 Product Safety Compliance

The S875WP1-E complies with the following safety requirements:

- 75 UL 1950 - CSA 950 (US/Canada)
- 76 EN 60 950 (European Union)
- 77 IEC60 950 (International)
- 78 CE – Low Voltage Directive (73/23/EEC) (European Union)
- 79 EMKO-TSE (74-SEC) 207/94 (Nordics)
  - GOST R 50377-92 (Russia)

### 9.3.2 Product EMC Compliance

The S875WP1-E has been tested and verified to comply with the following electromagnetic compatibility (EMC) regulations when installed in a compatible Intel host system. For information on compatible host system(s), contact your local Intel representative.

- 80 FCC (Class A Verification) – Radiated & Conducted Emissions (USA)
- 81 ICES-003 (Class A) – Radiated & Conducted Emissions (Canada)
- 82 CISPR 22, 3<sup>rd</sup> Edition (Class A) – Radiated & Conducted Emissions (International)
- 83 EN55022 (Class A) – Radiated & Conducted Emissions (European Union)
- 84 EN55024 (Immunity) (European Union)
- 85 CE – EMC Directive (89/336/EEC) (European Union)
- 86 VCCI (Class A) – Radiated & Conducted Emissions (Japan)
- 87 AS/NZS 3548 (Class A) – Radiated & Conducted Emissions (Australia / New Zealand)
- 88 RRL (Class A) Radiated & Conducted Emissions (Korea)
- 89 BSMI CNS13438 (Class A) Radiated & Conducted Emissions (Taiwan)
- 90 GOST R 29216-91 (Class A) Radiated & Conducted Emissions (Russia)
  - GOST R 50628-95 (Immunity) (Russia)

### 9.3.3 Product Regulatory Compliance Markings

This product is provided with the following product certification markings:

#### Product Certification Markings

UL Recognition Mark	
CE Mark	
Russian GOST Mark	
Australian C-Tick Mark	
BSMI DOC Marking	
BSMI EMC Warning	警告使用者： 這是甲類的資訊產品，在居住的環境中使用時， 可能會造成射頻干擾，在這種情況下，使用者會 被要求採取某些適當的對策
RRL MIC Mark	

## 9.4 Electromagnetic Compatibility Notices

### 9.4.1 FCC (USA)

This device complies with Part 15 of the FCC Rules. Operation is subject to the following two conditions: (1) this device may not cause harmful interference, and (2) this device must accept any interference received, including interference that may cause undesired operation.

For questions related to the EMC performance of this product, contact:

Intel Corporation  
5200 N.E. Elam Young Parkway  
Hillsboro, OR 97124  
1-800-628-8686

This equipment has been tested and found to comply with the limits for a Class A digital device, pursuant to Part 15 of the FCC Rules. These limits are designed to provide reasonable protection against harmful interference in a residential installation. This equipment generates, uses, and can radiate radio frequency energy and, if not installed and used in accordance with the instructions, may cause harmful interference to radio communications. However, there is no guarantee that interference will not occur in a particular installation. If this equipment does cause harmful interference to radio or television reception, which can be determined by turning the equipment off and on, the user is encouraged to try to correct the interference by one or more of the following measures:

- 91 Reorient or relocate the receiving antenna.
- 92 Increase the separation between the equipment and the receiver.
- 93 Connect the equipment to an outlet on a circuit other than the one to which the receiver is connected.
  - Consult the dealer or an experienced radio/TV technician for help.

Any changes or modifications not expressly approved by the grantee of this device could void the user's authority to operate the equipment. The customer is responsible for ensuring compliance of the modified product.

Only peripherals (computer input/output devices, terminals, printers, etc.) that comply with FCC Class A or B limits may be attached to this computer product. Operation with noncompliant peripherals is likely to result in interference to radio and TV reception. All cables used to connect to peripherals must be shielded and grounded. Operation with cables, connected to peripherals, that are not shielded and grounded may result in interference to radio and TV reception.

#### **9.4.2 INDUSTRY CANADA (ICES-003)**

This digital apparatus does not exceed the Class A limits for radio noise emissions from digital apparatus set out in the interference-causing equipment standard entitled: "Digital Apparatus," ICES-003 of the Canadian Department of Communications.

Cet appareil numérique respecte les limites bruits radioélectriques applicables aux appareils numériques de Classe A prescrites dans la norme sur le matériel brouilleur: "Appareils Numériques", NMB-003 édictée par le Ministre Canadien des Communications.

#### **9.4.3 Europe (CE Declaration of Conformity)**

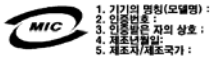
This product has been tested in accordance to, and complies with the Low Voltage Directive (73/23/EEC) and EMC Directive (89/336/EEC). The product has been marked with the CE Mark to illustrate its compliance.

#### **9.4.4 Taiwan Declaration of Conformity**

This product has been tested and complies with CNS13438. The product has been marked with the BSMI DOC mark to illustrate compliance.

### 9.4.5 Korean RRL Compliance

This product has been tested and complies with MIC Notices No. 1997-41 and 1997-42. The product has been marked with the MIC logo to illustrate compliance.



The English translation for the above is as follows:

1. Type of Equipment (Model Name): S875WP1-E
2. Certification No.: Contact Intel Representative
3. Name of Certification Recipient: Intel
4. Date of Manufacturer: Marked on Product
5. Manufacturer / Nation : Intel

### 9.4.6 Australia / New Zealand

This product has been tested and complies with AS/NZS 3548. The product has been marked with the C-Tick mark to illustrate compliance.

## 9.5 Replacing the Back-Up Battery

The lithium battery on the server board powers the RTC for up to 10 years in the absence of power. When the battery starts to weaken, it loses voltage, and the server settings stored in CMOS RAM in the RTC (for example, the date and time) may be wrong. Contact your customer service representative or dealer for a list of approved devices.



#### WARNING

Danger of explosion if battery is incorrectly replaced. Replace only with the same or equivalent type recommended by the equipment manufacturer. Discard used batteries according to manufacturer's instructions.



#### ADVARSEL!

Lithiumbatteri - Eksplosionsfare ved fejlagtig håndtering. Udskiftning må kun ske med batteri af samme fabrikat og type. Levér det brugte batteri tilbage til leverandøren.



#### ADVARSEL

Lithiumbatteri - Eksplosjonsfare. Ved utskifting benyttes kun batteri som anbefalt av apparatfabrikanten. Brukt batteri returneres apparatleverandøren.



#### WARNING

Explosionsfara vid felaktigt batteribyte. Använd samma batterityp eller en ekvivalent typ som rekommenderas av apparattillverkaren. Kassera använt batteri enligt fabrikantens instruktion.

**VAROITUS**

Paristo voi räjähtää, jos se on virheellisesti asennettu. Vaihda paristo ainoastaan laitevalmistajan suosittelemaan tyyppiin. Hävitä käytetty paristo valmistajan ohjeiden mukaisesti.

## 9.6 Calculated Mean Time Between Failures (MTBF)

The MTBF (Mean Time Between Failures) for the Intel Server Board S875WP1-E as configured from the factory is shown in the table below.

Product Code	Calculated MTBF	Operating Temperature
S875WP1	216,388 hours	35 degrees C
S875WP1LX	203,312 hours	35 degrees C

## 9.7 Mechanical Specifications

The following figure shows the Intel Server Board S875WP1-E mechanical drawing.

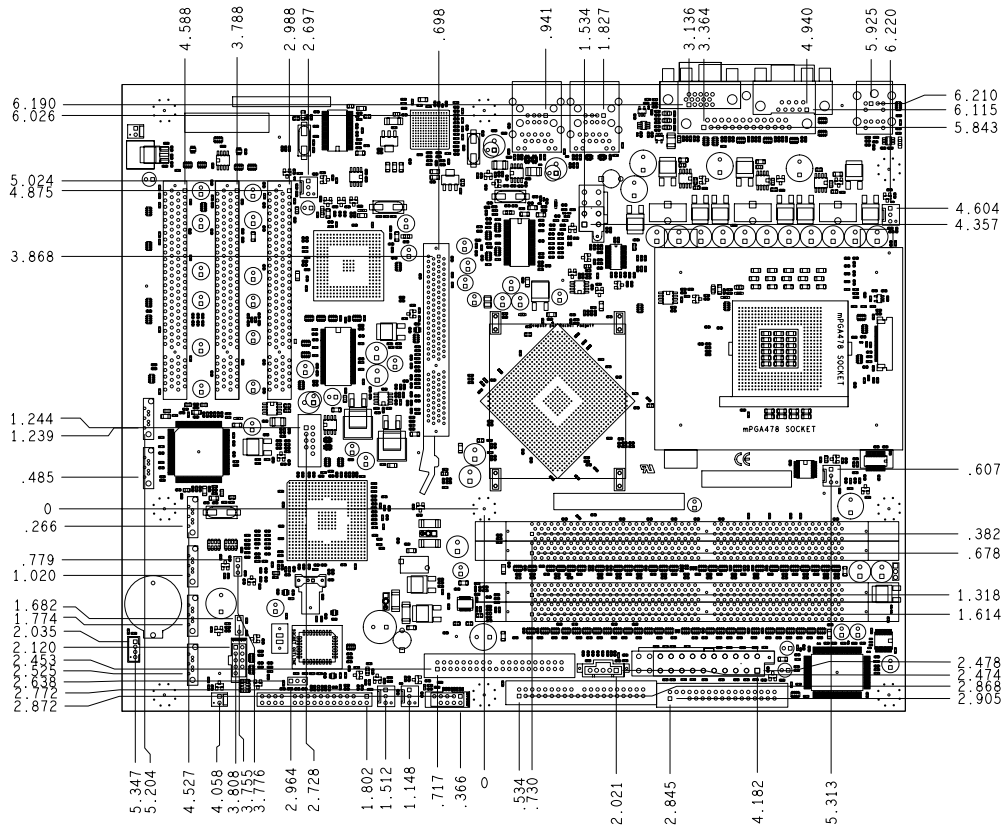


Figure 10. S875WP1-E Server Board Mechanical Drawing

The following figure shows the Intel Server Board S875WP1-E general-purpose chassis I/O shield mechanical drawing. If the Intel Server Board S875WP1-E is used in a 1U chassis, the user will need to obtain the I/O shield directly from the chassis vendor.

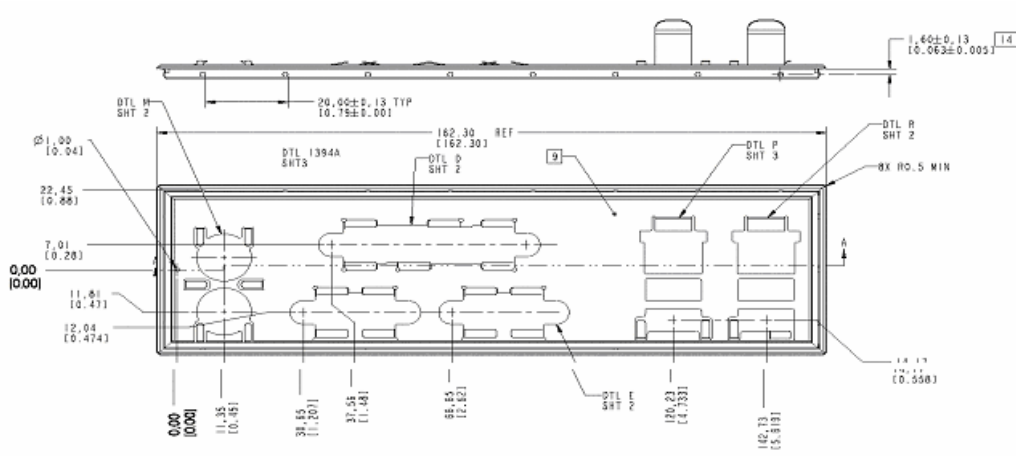


Figure 11. Intel Server Board S875WP1-E I/O Shield Drawing

## Glossary

This appendix contains important terms used in the preceding chapters. For ease of use, numeric entries are listed first (e.g., “82460GX”) with alpha entries following (e.g., “AGP 4x”). Acronyms are then entered in their respective place, with non-acronyms following.

Term	Definition
ACPI	Advanced Configuration and Power Interface
ANSI	American National Standards Institute
AP	Application Processor
ASIC	Application Specific Integrated Circuit
ASR	Asynchronous Reset
BGA	Ball-grid Array
BIOS	Basic input/output system
Byte	8-bit quantity.
CMOS	In terms of this specification, this describes the PC-AT compatible region of battery-backed 128 bytes of memory, which normally resides on the server board.
DCD	Data Carrier Detect
DMA	Direct Memory Access
DMTF	Distributed Management Task Force
ECC	Error Correcting Code
EMC	Electromagnetic Compatibility
EPS	External Product Specification
ESCD	Extended System Configuration Data
FDC	Floppy Disk Controller
FIFO	First-In, First-Out
FRU	Field replaceable unit
GB	1024 MB.
GPIO	General purpose I/O
GUID	Globally Unique ID
Hz	Hertz (1 cycle/second)
HDG	Hardware Design Guide
I <sup>2</sup> C	Inter-integrated circuit bus
IA	Intel <sup>®</sup> architecture
ICMB	Intelligent Chassis Management Bus
IERR	Internal error
IMB	Inter Module Bus
IP	Internet Protocol
IRQ	Interrupt Request
ITP	In-target probe
KB	1024 bytes
KCS	Keyboard Controller Style
LAN	Local area network
LBA	Logical Block Address
LCD	Liquid crystal display

Term	Definition
LPC	Low pin count
LSB	Least Significant Bit
MB	1024 KB
MBE	Multi-Bit Error
Ms	milliseconds
MSB	Most Significant Bit
MTBF	Mean Time Between Failures
Mux	multiplexor
NIC	Network Interface Card
NMI	Non-maskable Interrupt
OEM	Original equipment manufacturer
Ohm	Unit of electrical resistance
PBGA	Pin Ball Grid Array
PERR	Parity Error
PIO	Programmable I/O
PMB	Private Management Bus
PMC	Platform Management Controller
PME	Power Management Event
PnP	Plug and Play
POST	Power-on Self Test
PWM	Pulse-Width Modulator
RAIDIOS	RAID I/O Steering
RAM	Random Access Memory
RI	Ring Indicate
RISC	Reduced instruction set computing
RMCP	Remote Management Control Protocol
ROM	Read Only Memory
RTC	Real Time Clock
SBE	Single-Bit Error
SCI	System Configuration Interrupt
SDR	Sensor Data Record
SDRAM	Synchronous Dynamic RAM
SEL	System event log
SERIRQ	Serialized Interrupt Requests
SERR	System Error
SM	Server Management
SMI	Server management interrupt. SMI is the highest priority nonmaskable interrupt
SMM	System Management Mode
SMS	System Management Software
SNMP	Simple Network Management Protocol
SPD	Serial Presence Detect
SSI	Server Standards Infrastructure
TPS	Technical Product Specification
UART	Universal asynchronous receiver and transmitter

Term	Definition
USB	Universal Serial Bus
VGA	Video Graphic Adapter
VID	Voltage Identification
VRM	Voltage Regulator Module
Word	16-bit quantity
ZCR	Zero Channel RAID