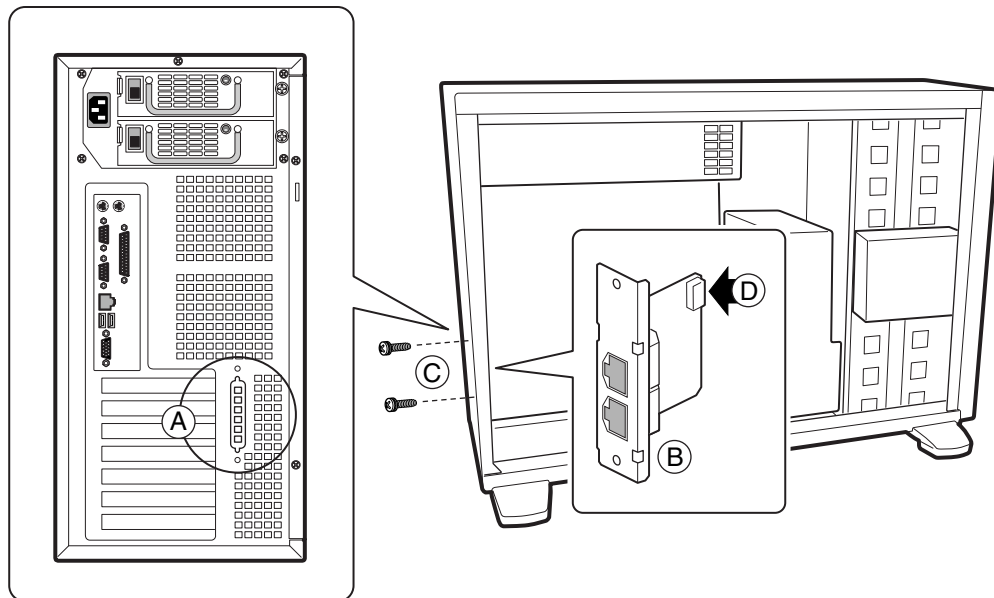


# ICMB Card Installation

The ICMB card allows two servers to communicate through an external connection. You must install an ICMB card in each server and connect the cards with an external ICMB cable.

Software for the ICMB card includes firmware on the card and software included in the Intel® Server Control (ISC) software. ISC software is included on the server software CD-ROM accompanying your baseboard. See the ISC documentation for software installation and use instructions.

## Installing the ICMB Card in a Knockout Panel



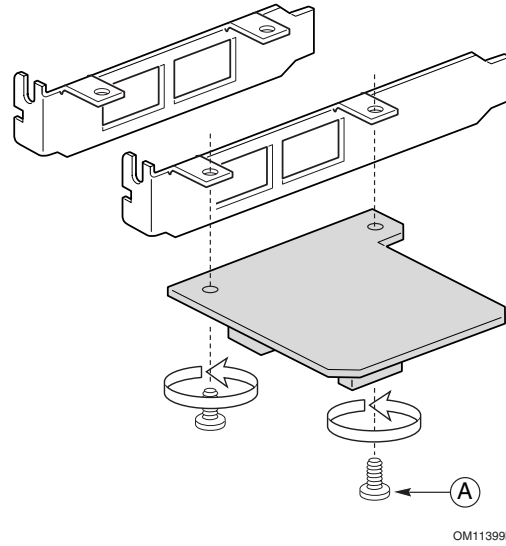
OM11399

- A. Break out panel
- B. ICMB card
- C. Screws
- D. Data cable connector

**Figure 1. Installing the ICMB Card**

1. Using a screwdriver or similar tool, remove the break out panel from the back of the chassis (Figure 1, A).
2. Position the ICMB card in the chassis (Figure 1, B) and secure it with two screws (Figure 1, C).
3. Connect the internal ICMB cable to the ICMB card and your baseboard. See your baseboard documentation for the location of the ICMB connector.

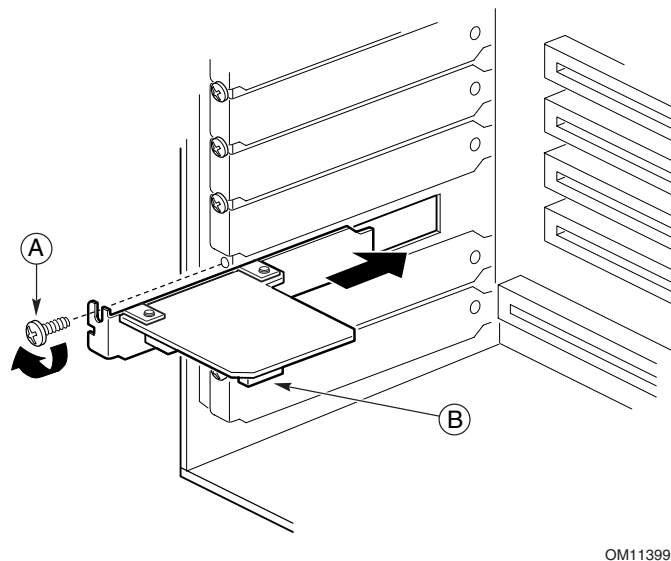
## Installing the ICMB Card in an Expansion Slot



A. Screw

**Figure 2. Replacing the Filler Panel**

1. Remove the filler panel from the card and install either a short or long expansion slot filler panel.
2. Choose an expansion slot for the ICMB card. The card does not plug into the connector on the baseboard, but does use the opening at the rear of the chassis.
3. Secure the card to the chassis.



A. Screw

B. ICMB card

**Figure 3. Installing the ICMB Card**

4. Connect the internal ICMB cable to the ICMB card and your baseboard. See your baseboard documentation for the location of the ICMB connector.