

# Intel® Desktop Board D850GB/ D850GBAL Quick Reference

---

*This guide is written for technically qualified personnel with experience installing and configuring desktop boards.*

## **Before You Begin**

Warning and Caution .....	3
Safety and Regulatory Notice: .....	3

<b>Desktop Board Connectors</b> .....	4
---------------------------------------	---

<b>Supported Components</b> .....	6
-----------------------------------	---

## **Installation Steps**

1 Installing the AGP Card Retention Mechanism (D850GB only) .....	7
2 Installing the I/O Shield .....	9
3 Installing the Desktop Board .....	10
4 Installing the Processor Retention Mechanisms .....	11
5 Installing the Processor .....	13
6 Applying Thermal Grease to the Processor .....	14
7 Installing the Processor Fan Heatsink .....	15
8 Installing the Fan Heatsink Clips .....	16
9 Installing the Memory Modules .....	17
10 Connecting the Fans .....	18
11 Installing an AGP Card .....	18
12 Attaching IDE Hard Drives with the Ultra ATA-66/100 Cable ....	19

## **Setting the BIOS Configuration and USB Port 2 Routing**

<b>Jumpers</b> .....	20
----------------------	----

<b>BIOS Setup Program Defaults</b> .....	22
--	----

## **Items on the CD-ROM**

- Product warranty
- Intel® Express Installer
- *Intel® Desktop Board D850GB/D850GBAL Product Guide*
- Software utilities and drivers
- Software license agreement
- Readme file

Part number: A30315-003

## Getting Help

View or download product support information from Intel's World Wide Web site: <http://support.intel.com/support/motherboards/desktop>

Documents on the web site include:

- *Intel® Desktop Board D850GB Technical Product Specification*
- *Intel® Desktop Board D850GB Specification Update*

If you can't find the information you need on the Web, contact your point of purchase. The Intel Web site also includes telephone numbers and billing charges, if applicable, for Intel customer support.

Intel Corporation (Intel) makes no warranty of any kind with regard to this material, including, but not limited to, the implied warranties of merchantability and fitness for a particular purpose. Intel assumes no responsibility for any errors that may appear in this document. Intel makes no commitment to update nor to keep current the information contained in this document. No part of this document may be copied or reproduced in any form or by any means without prior written consent of Intel.

An Intel® product, when used in accordance with its associated documentation, is "Year 2000 Capable" when, upon installation, it accurately stores, displays, processes, provides, and/or receives date data from, into, and between the twentieth and twenty-first centuries, including leap year calculations, provided that all other technology used in combination with said product properly exchanges date data with it.

† Third-party brands and trademarks are the property of their respective owners.

Copyright © 2000, 2001, Intel Corporation. All rights reserved.

# Before You Begin

## Warning and Caution



### WARNING

*Disconnect the board's power supply from its AC power source before you connect or disconnect cables, or install or remove any board components. Failure to do this can result in personal injury or equipment damage. Some circuitry on the desktop board can continue to operate even though the front panel power switch is off.*



### CAUTION

*Electrostatic discharge (ESD) can damage desktop board components. Install the board at an ESD-controlled workstation. If such a workstation is not available, wear an antistatic wrist strap or touch the surface of the antistatic package before handling the board.*

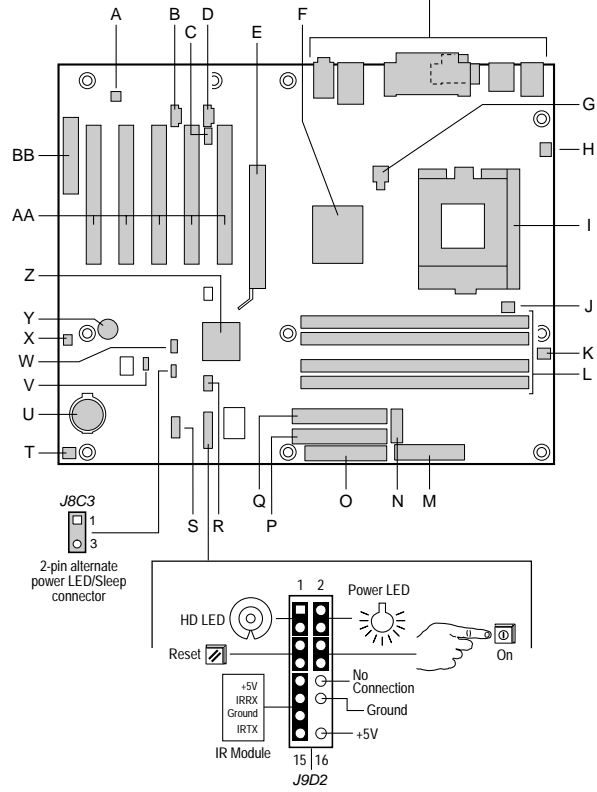
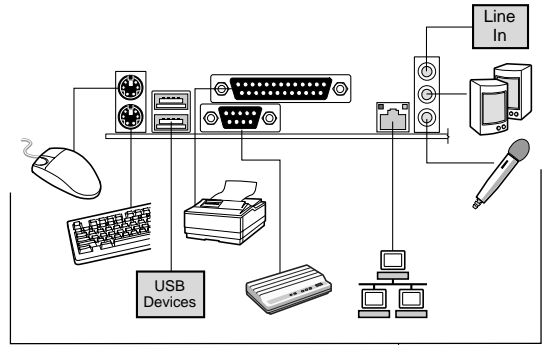
## Safety and Regulatory Notice:

See the *Intel® Desktop Board D850GB/D850GBAL Product Guide* for all applicable regulatory compliance statements, product certification markings, and safety and electromagnetic compatibility (EMC) standards and regulations these desktop boards are compliant with..

**Replacement battery warning label provided:** Place the label inside the chassis in an easy-to-see location near the battery but not on the board itself.

**Intended uses:** This product was evaluated as information technology equipment (I.T.E) for home or office use when installed into an appropriate computer chassis. Other end uses or locations may require further evaluation.

# Desktop Board Connectors



OM11532

continued

## Desktop Board Connectors (continued)

- |   |  |
|---|--|
| A. ADI AD1885 audio codec (D850GBAL only)       | O. Diskette drive connector                                |
| B. Auxiliary line-in connector (D850GBAL only)  | P. Primary IDE connector                                   |
| C. Legacy CD-ROM connector (D850GBAL only)      | Q. Secondary IDE connector                                 |
| D. ATAPI-style CD-ROM connector (D850GBAL only) | R. USB port 2 routing jumper (D850GB only)                 |
| E. AGP connector                                | S. Front panel USB connector                               |
| F. Intel® 82850 Memory Controller Hub (MCH)     | T. Chassis fan connector                                   |
| G. 12 V processor core voltage connector        | U. Battery   |
| H. Chassis fan connector                        | V. BIOS configuration jumper                               |
| I. Processor socket                             | W. Wake on LAN <sup>†</sup> technology connector           |
| J. Processor fan connector                      | X. SCSI LED connector                                      |
| K. RIMM fan connector                           | Y. Speaker   |
| L. RIMM sockets                                 | Z. Intel® 82801BA I/O Controller Hub (ICH2)                |
| M. Power connector                              | AA. PCI bus add-in card connectors                         |
| N. Auxiliary power connector                    | BB. Communication and Networking Riser (CNR) (D850GB only) |



### CAUTION

*Many of the midboard and front panel connectors provide operating voltage (+5 V DC and +12 V DC, for example) to devices inside the computer chassis, such as fans and internal peripherals. These connectors are not overcurrent protected. Do not use these connectors for powering devices external to the computer chassis. A fault in the load presented by the external devices could cause damage to the computer, the interconnecting cables, and the external devices themselves.*

# Supported Components

## Processors

The board supports the following processors:

Processor Type	Processor Frequency (GHz)	System Bus Frequency (MHz)
Intel® Pentium 4 processor	1.3, 1.4, and 1.5	400

For the latest information on processors supported by the D850GB/D850GBAL board, refer to the Intel web site at:

<http://support.intel.com/support/motherboards/desktop>



### CAUTION

*Failure to use an ATX12V power supply, or not connecting both additional power supply leads to the D850GB or D850GBAL board may result in damage to the desktop board.*

*For more information on the ATX12V power supply, refer to the Intel Desktop Board D850GB/D850GBAL Product Guide on the CD-ROM.*

## Memory Module Requirements

The board has four 2.5 V memory module sockets that support RIMMs containing Direct Rambus DRAM (RDRAM) devices.

The board supports the following memory features:

- Maximum of 32 Direct Rambus devices per channel
- Memory configurations from 128 MB (minimum) to 2 GB (maximum) using 128 Mbit or 256 Mbit technology
- PC600 or PC800 compliant RDRAM
- Single- or double-sided RIMM modules
- Serial Presence Detect (SPD) memory only
- ECC and non-ECC support



### NOTE

*For information about vendors that support these memory requirements, refer to the D850GB link on this Intel web site:*

<http://support.intel.com/support/motherboards/desktop>

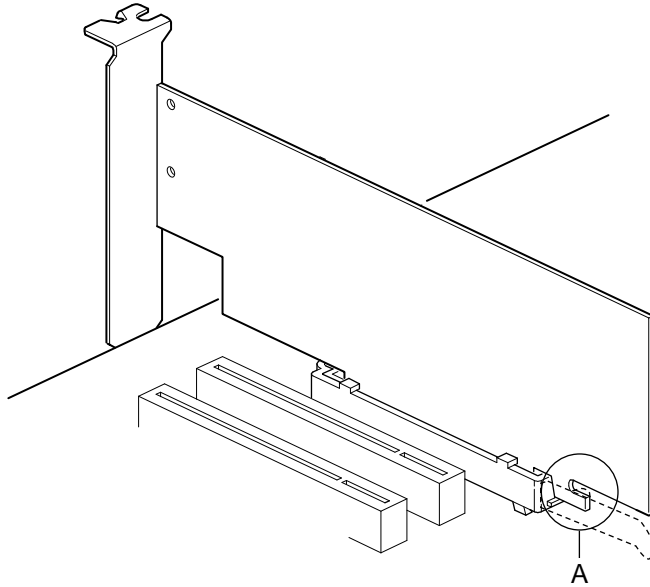
# Installation Steps

## 1 Installing the AGP Card Retention Mechanism (D850GB only)



### CAUTION

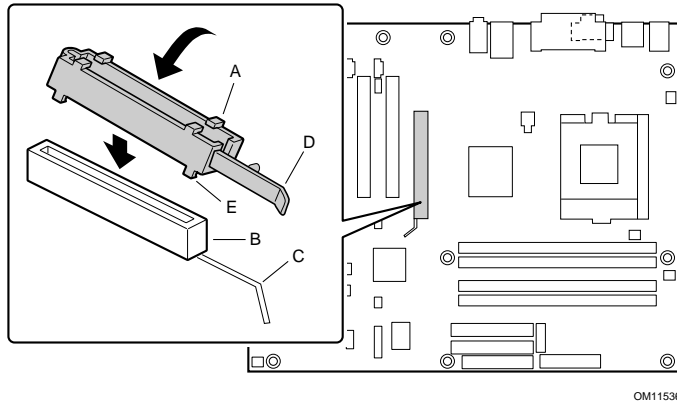
Install the AGP card retention mechanism (RM) only when using an AGP card with a retention notch (A) as shown in the figure below. Use of the RM with an unnotched card may impair video operation. See the Intel Desktop Board D850GB/D850GBAL Product Guide on the CD-ROM for RM removal instructions.



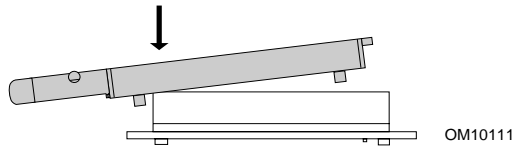
OM10592

The RM encloses the board's AGP connector and stabilizes the AGP card. Place the board (component side up) on a flat, supportive surface, preferably on the anti-static bag in which the board was shipped in. Follow the steps outlined below to attach the RM (A) to the AGP connector (B):

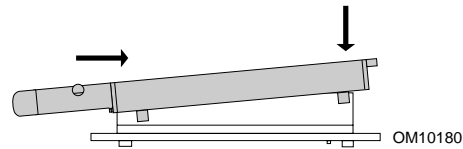
- 1 Locate the AGP connector (J5E1) on the board as shown below. Note that the board's silkscreen (C) indicates the correct final position of the lever (D) on the RM.



- 2 Position the RM over the AGP connector as shown below.



- 3 Push the lever end of the RM in the direction of the arrow until the two rearmost tabs (E) spread over the end of the AGP connector.



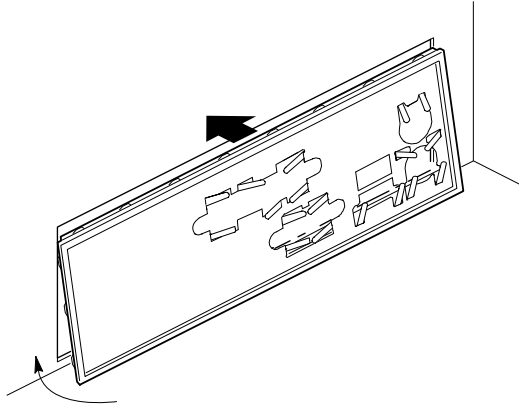
- 4 Push the free end of the RM over the other end of the AGP connector and press down evenly on both ends of the RM until all four tabs click underneath the AGP connector. Do not apply unnecessary pressure to avoid damaging the board.



## 2 Installing the I/O Shield

The board comes with an I/O shield. When installed in the chassis, the shield blocks radio frequency transmissions, necessary to pass emissions (EMI) certification testing, protects internal components from dust and foreign objects, and promotes correct airflow within the chassis.

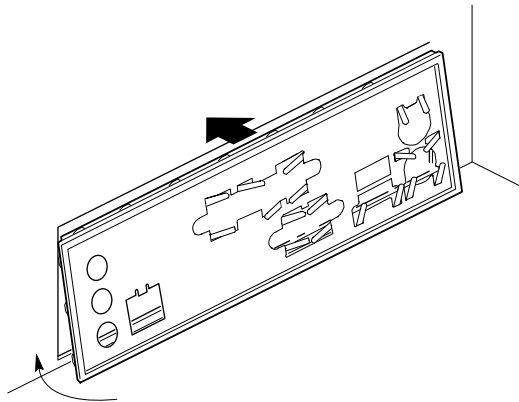
Install the I/O shield before installing the board in the chassis. Place the shield inside the chassis as shown in the following figure. Press the shield into place so that it fits tightly and securely. If the shield doesn't fit, obtain a properly-sized shield from the chassis supplier.



OM11542

---

**D850GB I/O Shield**



OM11543

---

**D850GBAL I/O Shield**

### 3 Installing the Desktop Board



#### CAUTION

*Failure to use an ATX12V power supply, or not connecting both additional power supply leads to the D850GB or D850GBAL board may result in damage to the desktop board.*

*For more information on the ATX12V power supply, refer to the Intel Desktop Board D850GB/D850GBAL Product Guide on the CD-ROM.*

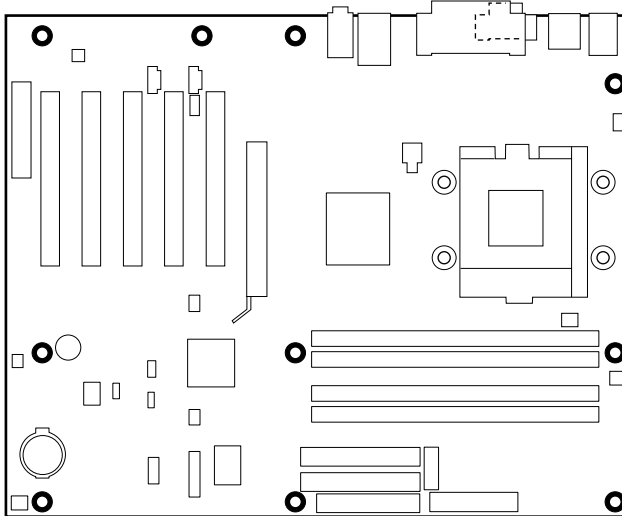


#### NOTES

*Make sure your chassis supports the Intel Pentium 4 processor. You can determine this by verifying that the standoffs for the processor retention mechanism are in the correct location on the chassis.*

*Do not install the four screws around the processor socket at this time.*

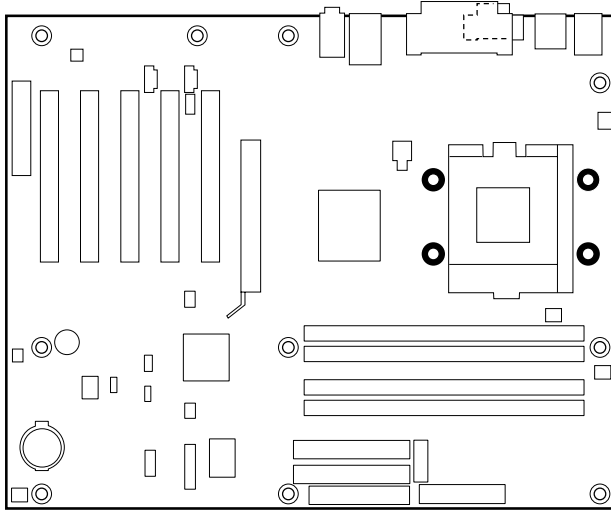
Refer to your chassis manual for specific instructions on installing and removing the board. Secure the board to the chassis standoffs using 10 screws. Insert the screws in the mounting holes shown in the figure below.



OM11537

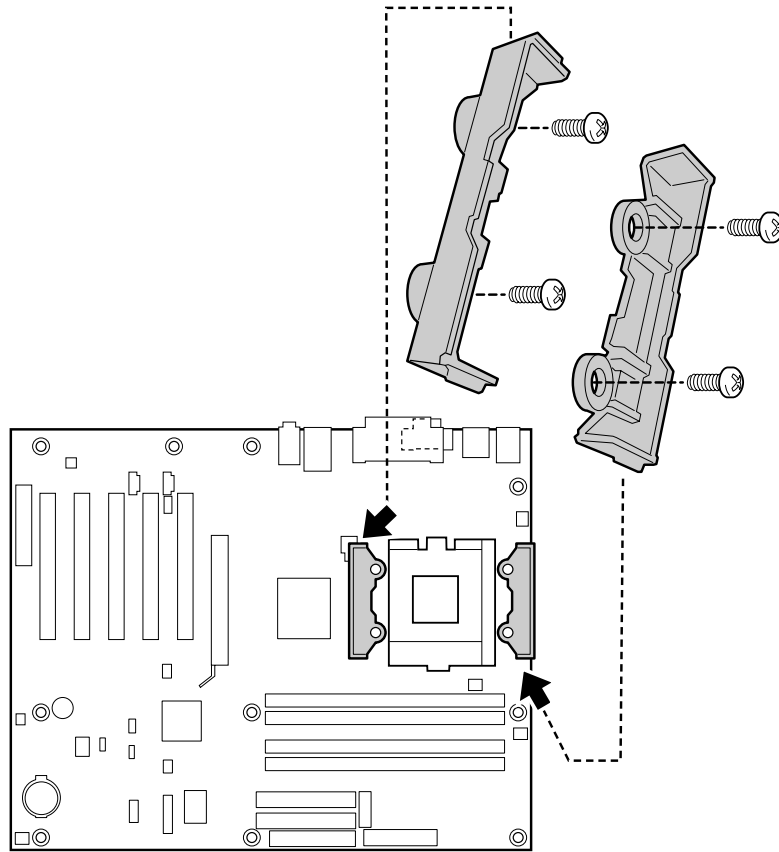
## 4 Installing the Processor Retention Mechanisms

- 1 The processor retention mechanisms are secured to the board with four screws supplied by the chassis manufacturer. See the location of the processor RM holes in the following figure.



OM11538

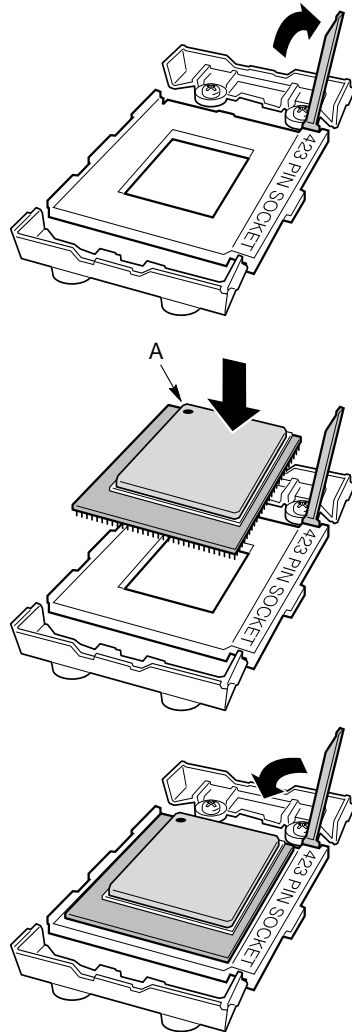
- 2 Place the retention mechanisms on the board by aligning the holes in the RM with the holes in the board. Using the screws provided by the chassis manufacturer, install the retention mechanisms into the four holes on the chassis.



OM11539

## 5 Installing the Processor

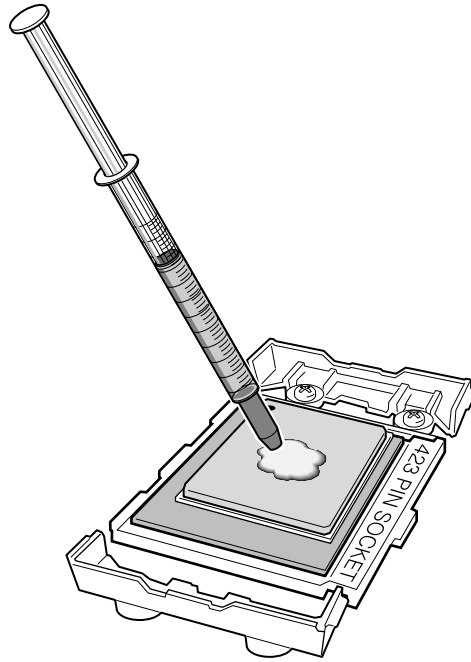
Lift the processor socket lever, install the processor so that the first pin (A) is aligned with the first pin location on the board silk screen, and lower the lever back to its original position.



OM10633

## 6 Applying Thermal Grease to the Processor

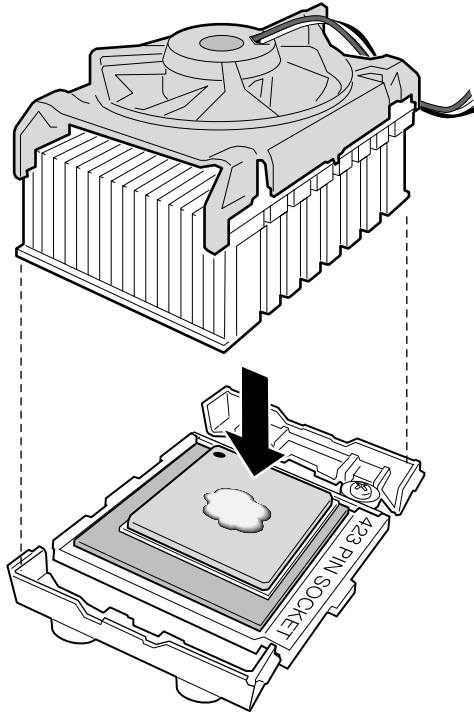
The processor package includes a thermal grease syringe. Apply about half of the thermal grease from the syringe to the center of the processor surface.



OM10642

## 7 Installing the Processor Fan Heatsink

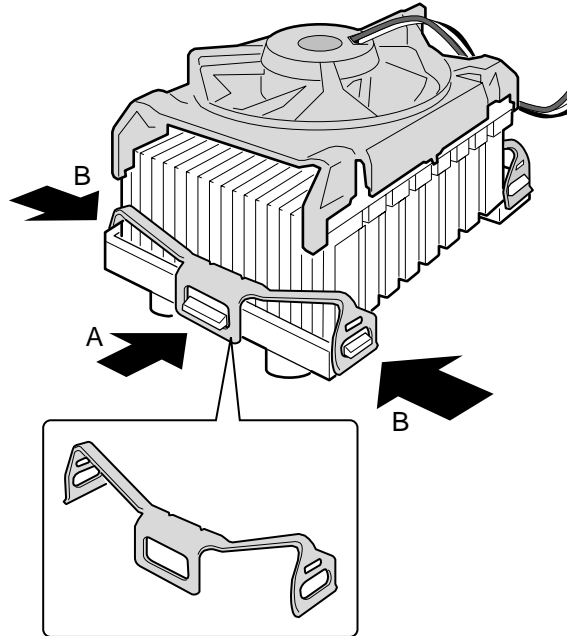
Place the fan heatsink on the processor so that the fan cable is facing the right edge of the board.



OM10634

## 8 Installing the Fan Heatsink Clips

Install the clip by attaching the opening at both ends of the clip (B) to the tabs on the RM. Then fasten the side clip (A) to the RM until you hear a click. Repeat this procedure on the opposite side of the fan heatsink. See step 12 on page 18 to connect the processor fan cable header to the board processor fan connector.



OM10643

## 9 Installing the Memory Modules



### CAUTIONS

*Insert a Continuity RIMM (CRIMM) in every unused memory socket or the board will not boot.*

*High insertion force is required to install the RIMMs. Use caution when inserting the RIMMs to prevent the board from flexing.*

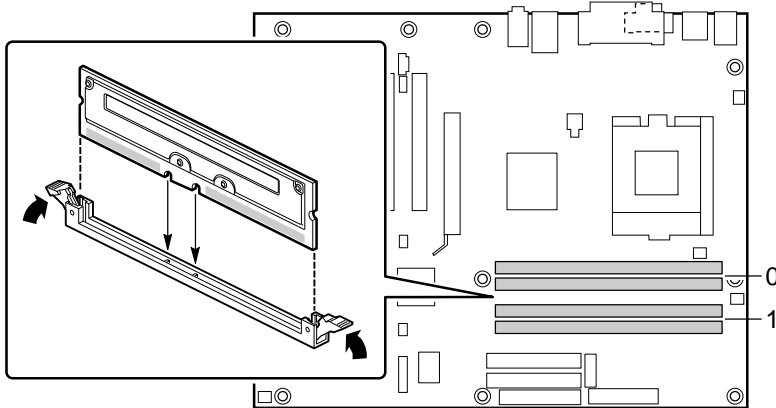


### NOTE

*RIMMs must be installed in identical pairs (same speed, size, and density).*

Install RIMMs into Bank 0 first. If the desired memory configuration has been achieved, insert CRIMMs into Bank 1.

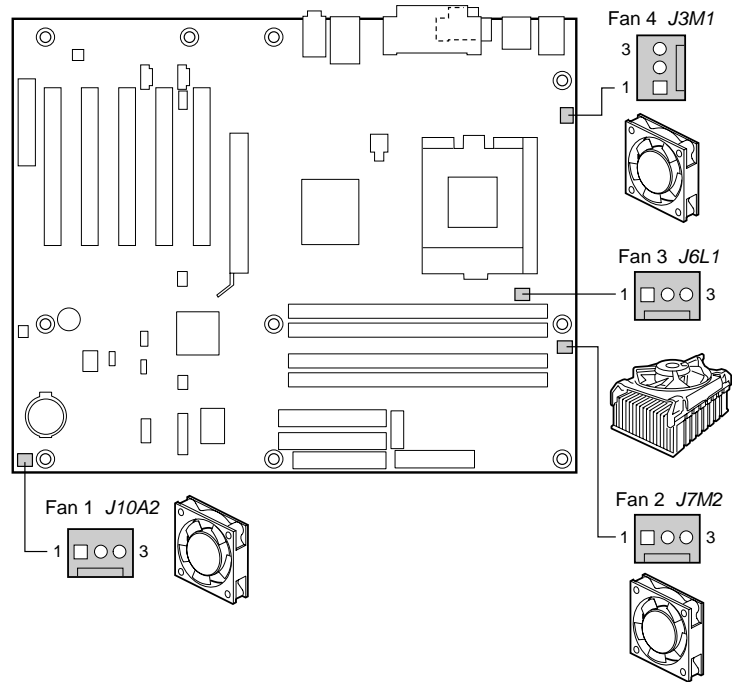
If memory is to be installed in bank 1, the RIMM modules to be installed must be identical in size and density to each other, and match the speed of the RIMM modules in bank 0. The RIMM modules do not, however, need to match those in bank 0 in size and density. For example, if bank 0 has two 128 MB RIMMs of PC800 RDRAM, bank 1 would require PC800 RDRAM also, however, any other supported RIMM modules such as 64 MB or 192 MB could be used.



OM11541

## 10 Connecting the Fans

The following figure shows the location of the fan connectors. If you are installing a processor with an active fan heatsink, connect the processor's fan cable to the board connector labeled J6L1. Connect the chassis fan cables to the board connectors labeled J3M1, J7M2, and J10A2.



OM111533

## 11 Installing an AGP Card

### NOTE

*The D850GB/D850GBAL board is only compatible with 1.5 V AGP cards.*

Follow these instructions to install an AGP card if it has a retention notch.

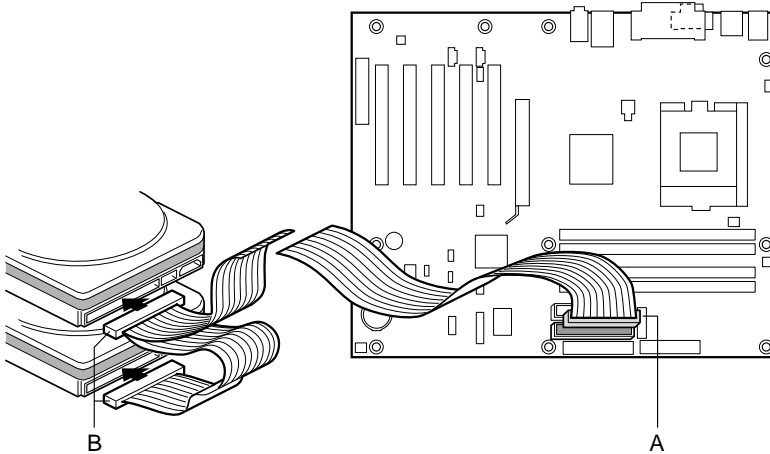
- 1 Place the AGP card in the AGP connector.
- 2 Press down on the card until it is completely seated in the connector and the card retention notch snaps into place below the RM (D850GB only).
- 3 Secure the card's metal bracket to the chassis back panel with a screw.

## 12 Attaching IDE Hard Drives with the Ultra ATA-66/100 Cable

The Intel® boxed board package includes a 40-contact, 80-conductor IDE cable. It is capable of connecting two drives to the board. The cable supports the Ultra ATA-66/100 transfer protocol and is backward compatible with drives using slower IDE transfer protocols.

The cable will work correctly only when oriented as shown in the figure below. For correct cable function:

- 1 Attach the cable end with the single connector (A) to the board.
- 2 Attach the cable end with the two closely spaced connectors (B) to the drives.



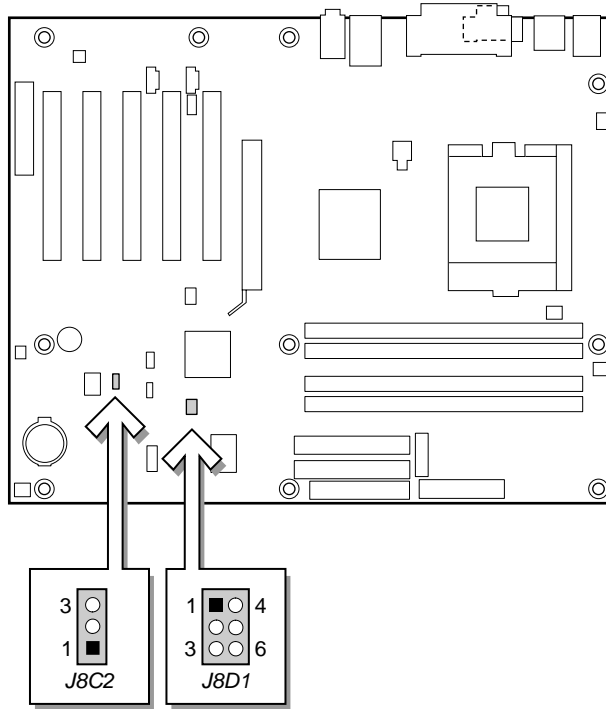
OM11544

## Setting the BIOS Configuration and USB Port 2 Routing Jumpers



### CAUTION

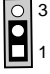
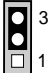
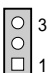
Always turn off the power and unplug the power cord from the computer before changing the jumper. Moving the jumper with the power on may result in unreliable computer operation.



OM11545

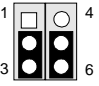
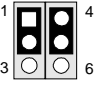
The BIOS configuration jumper determines the operating mode of the BIOS Setup Program and enables BIOS recovery in the event of a failed BIOS update. The following table describes the jumper settings for the BIOS Setup configuration jumper.

**BIOS Setup Configuration Jumper (J8C2) Settings**

Jumper Position	Mode	Description
 3 1	Normal (default)	The BIOS uses the current configuration and passwords for booting.
 3 1	Configure	After the Power-On Self-Test (POST) runs, the BIOS displays the Maintenance Menu. Use this menu to clear passwords.
 3 1	Recovery	The BIOS recovers data from a recovery diskette in the event of a failed BIOS update. To update or recover the BIOS, see the instructions in the Intel Desktop Board D850GB/D850GBAL Product Guide on the CD-ROM.

The USB port 2 routing jumper routes the signals of USB port 2. The table below describes the jumper settings for the front panel USB connector and CNR connector (D850GB only).

**USB Port 2 Routing Jumper (J8D1) Settings**

Jumper Setting	Configuration
 4 6 3	USB port 2 signals are routed to the front panel USB connector.
 4 6 3	USB port 2 signals are routed to the CNR connector.

## BIOS Setup Program Defaults

The following table is a partial list of the default BIOS Setup settings. For a complete list, see the *Intel Desktop Board D850GB/D850GBAL Product Guide* on the CD-ROM.

<b>Maintenance Menu *</b>	<b>Default</b>
Clear All Passwords	No options
<b>Main Menu</b>	
BIOS Version	No options
Processor Type	No options
Processor Speed	No options
System Bus Frequency	No options
Cache RAM	No options
Total Memory	No options
RIMM 1	No options
RIMM 2	
RIMM 3	
RIMM 4	
Languages	English
Memory Configuration	ECC
System Time	Not set
System Date	Not set
<b>Advanced Menu</b>	
Extended Configuration	N/A **
PCI Configuration Submenu	N/A **
Boot Configuration Submenu	N/A **
Peripheral Configuration Submenu	N/A **
IDE Configuration Submenu	N/A **
Diskette Configuration Submenu	N/A **
Event Log Configuration Submenu	N/A **
Video Configuration Submenu	N/A **
<b>Security Menu</b>	
Supervisor Password is	No options
User Password is	No options
Set Supervisor Password	Not set
Set User Password	Not set

continued

**BIOS Setup Program Defaults** (continued)

<b>Power Menu</b>	<b>Default</b>
Power Management	Enabled
Inactivity Timer	20 Minutes
Hard Drive	Enabled
Video Power Down	Disabled
ACPI Suspend State	S1 State
<b>Boot Menu</b>	<b>Default</b>
Quiet Boot	Enabled
Intel® Rapid BIOS Boot	Enabled
Scan User Flash Area	Disabled
After Power Failure	Last State
On Modem Ring	Stay Off
On LAN	Power On
On PME	Stay Off
On ACPI S5	Stay Off
1 <sup>st</sup> Boot Device, 2 <sup>nd</sup> Boot Device, 3 <sup>rd</sup> Boot Device, 4 <sup>th</sup> Boot Device	N/A **

\* To access the Maintenance Menu, set the configuration jumper on the desktop board to configure mode (see page 21).

\*\* Refer to the *Intel Desktop Board D850GB/D850GBAL Product Guide* on the CD-ROM for details on the defaults and options within this submenu.



# Intel® 桌面主板

## D850GB/D850GBAL

### 快速参考指南

---

本指南供有安装和配置桌面主板经验的合格技术人员使用。

#### 开始之前

警告和注意 .....	3
安全与规章通告: .....	3

桌面主板连接头.....	4
--------------	---

支持的元件.....	6
------------	---

#### 安装步骤

1 安装 AGP 卡固定装置（仅适用于 D850GB） .....	7
2 安装 I/O 防护板 .....	9
3 安装桌面主板.....	10
4 安装处理器固定装置.....	11
5 安装处理器.....	13
6 对处理器涂热润滑油.....	14
7 安装处理器风扇散热器.....	15
8 安装风扇散热器夹.....	16
9 安装内存模块.....	17
10 连接风扇.....	18
11 安装 AGP 卡.....	18
12 用 Ultra ATA-66/100 电缆连接 IDE 硬盘驱动器.....	19

设置 BIOS 配置和 USB 端口 2 布线跳线.....	20
--------------------------------	----

BIOS 设置程序默认设置.....	22
--------------------	----

#### CD-ROM 上提供的项目

- 产品担保书
- Intel® 快速安装程序
- 《Intel® 桌面主板 D850GB/D850GBAL 产品指南》
- 软件实用程序和驱动程序
- 软件许可协议
- 自述文件

## 获得帮助

从 Intel 的万维网站点查看或下载产品的支持信息:

<http://support.intel.com/support/motherboards/desktop>

万维网站点上的文档包括:

- Intel® Desktop Board D850GB Technical Product Specification (Intel 桌面主板 D850GB 产品技术规格)
- Intel® Desktop Board D850GB Specification Update (Intel 桌面主板 D850GB 技术规格更新)

如果在万维网上找不到需要的信息, 请与您的经销商联系。Intel 万维网站上还列出了 Intel 客户支持的电话号码和记帐付费方法 (如果适用)。

Intel 公司 (Intel) 对本资料不做任何形式的保证, 包括 (但不限于) 产品商用性及针对特殊目的之适用性的隐含保证。Intel 对本资料中可能出现的任何错误不承担任何责任。Intel 也不保证更新本资料的信息或在本资料中提供最新信息。未经 Intel 的事先书面许可, 不得以任何形式或手段拷贝或复制本资料的任何部分。

只要遵照相关文档来使用 Intel® 产品, 该产品就能在“2000 年正常运行” (Year 2000 Capable), 而且与该产品配合使用的所有其它技术均能够正确地与它交换日期数据。一旦安装后, 该产品就能够在廿世纪和廿一世纪之间正确地存储、显示、处理、提供和 (或) 接收日期数据, 闰年也包括在内。

† 第三方品牌及商标分别为其所有者的财产。

Copyright © 2000, 2001, Intel Corporation. 保留所有权利。

# 开始之前

## 警告和注意



### 警告

在连接或断开电缆、安装或拆下任何主板元件之前，请将主板的交流电源切断。否则会引起人身伤害或损坏设备。即使在前面板电源开关关闭后，桌面主板上的某些电路仍可能继续工作。



### 注意

静电释放 (ESD) 可能会损坏桌面主板的元件。请在有 ESD 控制的工作站安装主板。如果没有这样的工作站，请在接触主板之前戴上防静电腕带或接触防静电包装的表面。

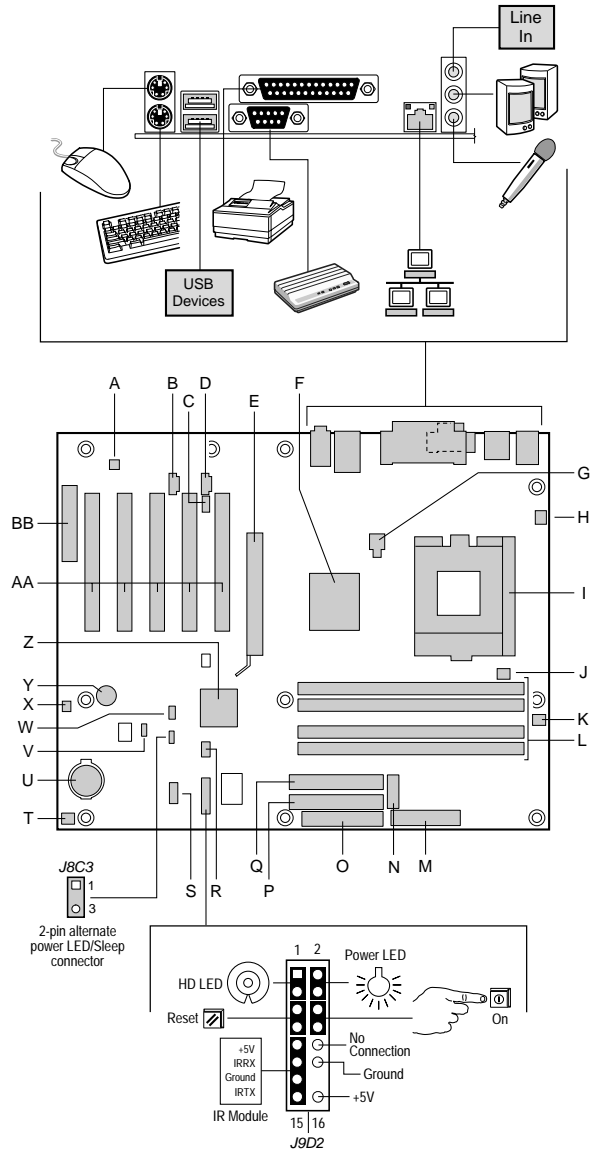
## 安全与规章通告：

有关本桌面主板适用的现行规章的一致性声明、产品认证标志以及安全与电磁兼容性 (EMC) 标准和规章，请参阅《Intel® 桌面主板 D850GB/D850GBAL 产品指南》。

提供的更换电池警告标签：将标贴签贴在机箱内靠近电池且容易看见的地方，注意不要贴在母板上。

指定用法：本产品已作为信息技术设备 (I.T.E.) 通过鉴定，安装在适当的计算机机箱上后用于家庭或办公室。用于其它目的或场所有待进一步鉴定。

# 桌面主板连接头



OM11532

续后

## 桌面主板连接头（接上页）

- |   |   |
|---|---|
| A. ADI AD1885 音频编解码器<br>（仅适用于 D850GBAL） | O. 软盘驱动器连接头                             |
| B. 辅助入线连接头<br>（仅适用于 D850GBAL）           | P. 主 IDE 连接头                            |
| C. 旧式光盘驱动器连接头<br>（仅适用于 D850GBAL）        | Q. 次 IDE 连接头                            |
| D. ATAPI 式光盘驱动器连接头<br>（仅适用于 D850GBAL）   | R. USB 端口 2 布线跳线<br>（仅适用于 D850GB）       |
| E. AGP 连接头                              | S. 前面板 USB 连接头                          |
| F. Intel® 82850 内存控制器<br>集线器 (MCH)      | T. 机箱风扇连接头                              |
| G. 12 V 处理器内核电压连接头                      | U. 电池                                   |
| H. 机箱风扇连接头                              | V. BIOS 配置跳线                            |
| I. 处理器插座                                | W. Wake on LAN† 技术连接头                   |
| J. 处理器风扇连接头                             | X. SCSI 指示灯连接头                          |
| K. RIMM 风扇连接头                           | Y. 扬声器                                  |
| L. RIMM 插座                              | Z. Intel® 82801BA I/O 控制器<br>集线器 (ICH2) |
| M. 电源连接头                                | AA. PCI 总线附加卡连接头                        |
| N. 辅助电源连接头                              | BB. 通信和联网提升器 (CNR)<br>（仅适用于 D850GB）     |



### 注意

许多中间母板和前面板的连接头为计算机机箱内的设备（如风扇和内部的外围设备）提供工作电压，例如直流 +5 V 和直流 +12 V。这些连接头没有过载保护。不要使用这些连接头为计算机机箱外的设备提供电源。由外部设备产生的电源加载故障可能会损坏计算机、互连的电缆和外部设备本身。

## 支持的元件

### 处理器

本主板支持下列处理器：

处理器类型	处理器频率 (GHz)	系统总线频率 (MHz)
Intel® Pentium 4 处理器	1.3、1.4 和 1.5	400

有关 D850GB/D850GBAL 主板所支持的处理器之最新信息，请访问 Intel 万维网站点：

<http://support.intel.com/support/motherboards/desktop>



#### 注意

不使用 ATX12V 电源或没有把两根附加的电源引线连接到 D850GB 或 D850GBAL 母板上，将会损坏桌面主板。

有关 ATX12V 电源更多的信息，请参阅 CD-ROM 上的《Intel® 桌面主板 D850GB/D850GBAL 产品指南》。

### 内存模块要求

本主板有四个 2.5 V 内存模块插座，支持包含 Direct Rambus DRAM (RDRAM) 设备的 RIMM。

本主板支持下列内存功能：

- 每个通道最大 32 个 Direct Rambus 设备
- 使用 128 兆位或 256 兆位技术，内存配置从 128 MB（最小）到 2 GB（最大）
- 符合 PC600 或 PC800 标准的 RDRAM
- 单面或双面 RIMM 模块
- 仅支持“串行设备检测” (SPD) 内存
- ECC 和非 ECC 的支持



#### 注释

有关支持这些内存要求的厂商信息，请参阅 Intel 万维网站点上的 D850GB 链接：

<http://support.intel.com/support/motherboards/desktop>

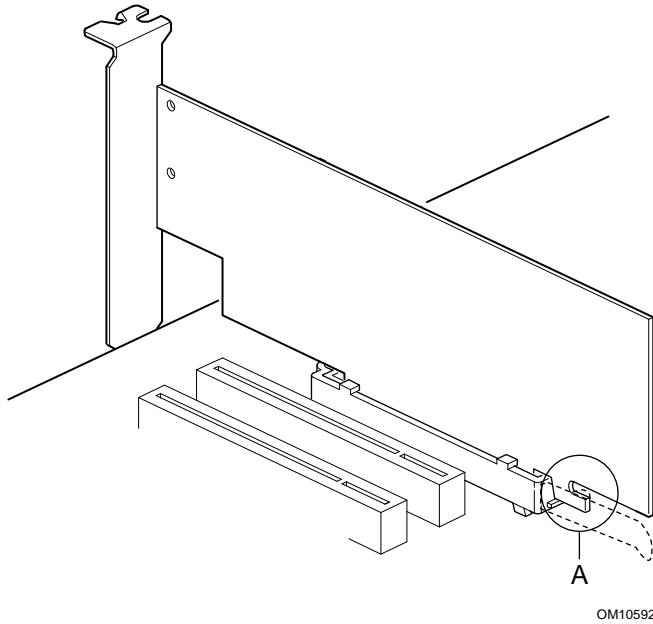
## 安装步骤

### 1 安装 AGP 卡固定装置 (仅适用于 D850GB)



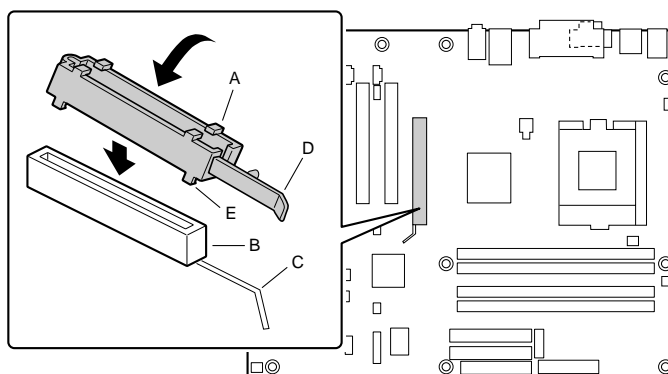
#### 注意

仅在使用带固定槽 (A) (如下图所示) 的 AGP 卡时, 才安装 AGP 卡固定装置 (RM)。无槽口的卡若使用固定装置 (RM) 可能会影响视频的正常运行。有关 RM 的拆卸说明, 请参阅 CD-ROM 上的《Intel 桌面主板 D850GB/D850GBAL 产品指南》。



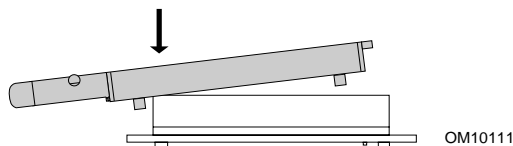
RM 封住母板的 AGP 接头并固定 AGP 卡。将主板元件面朝上放在平坦、有支持的表面上，最好放在随主板交付的防静电包装袋上。按照下列步骤将 RM (A) 连接到 AGP 接头 (B) 上：

- 1 如下图所示，找到主板上的 AGP 接头 (J5E1)。注意：母板的丝网印刷线 (C) 指示控制杆 (D) 在 RM 上的最终正确位置。

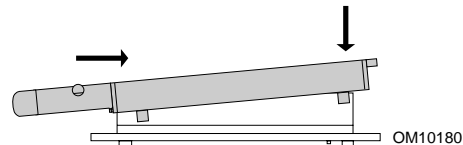


OM11536

- 2 如下图所示，将 RM 置于 AGP 连接头上。



- 3 按箭头指示方向推动 RM 的控制杆末端，直到最后部两个小突出部位 (E) 卡入 AGP 接头的末端。



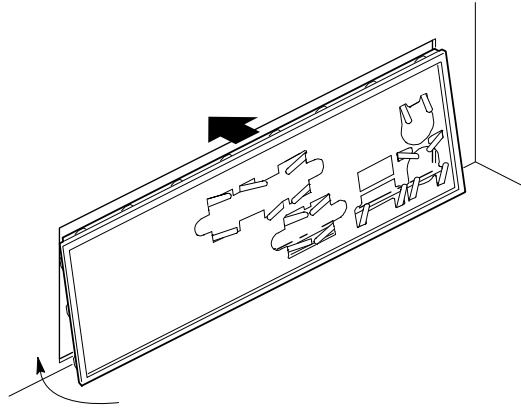
- 4 将 RM 的活动端对准 AGP 接头的另一端并沿 RM 两端均匀向下按，直到四个小突出部位全部卡入 AGP 接头的下面。不要用力过度，以免损坏主板。



## 2 安装 I/O 防护板

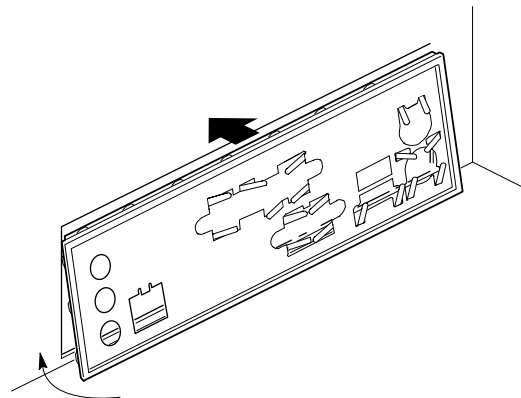
主板附带一个 I/O 防护板。机箱中安装了防护板后 [需要防护板才能通过辐射 (EMI) 认证测试]，可阻挡无线电射频的传播，保护内部元件不受灰尘和异物的侵害，在机箱内加强空气的正确流通。

在机箱中安装主板之前，先安装 I/O 防护板。如下图所示，将防护板置于机箱内部。将防护板按到位，使它安全紧固。如果防护板不适合机箱的大小，请从机箱供应商处取得大小合适的防护板。



OM11542

D850GB I/O 防护板



OM11543

D850GBAL I/O 防护板

### 3 安装桌面主板



#### 注意

不使用 ATX12V 电源或没有把两根附加的电源引线连接到 D850GB 或 D850GBAL 母板上，将会损坏桌面主板。

有关 ATX12V 电源更多的信息，请参阅 CD-ROM 上的《Intel 桌面主板 D850GB/D850GBAL 产品指南》。

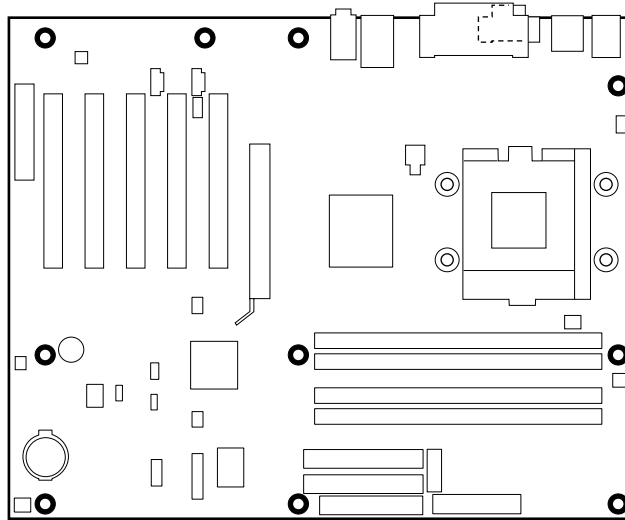


#### 注释

确保您的机箱支持 Intel Pentium 4 处理器。验证处理器固定装置的支撑立柱是否处于机箱的正确位置即可作出判断。

暂时不要安装处理器插座周围的四个螺丝。

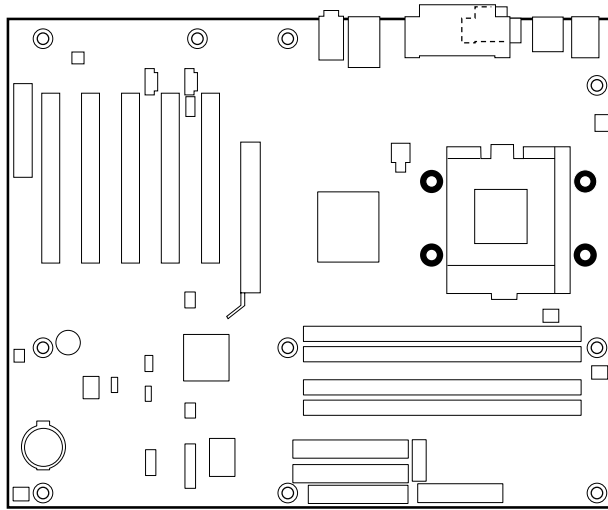
有关安装和拆卸主板的具体说明，请参阅机箱手册。使用 10 个螺丝将主板固定在机箱支撑立柱上。如下图所示，将螺丝插入安装孔。



OM11537

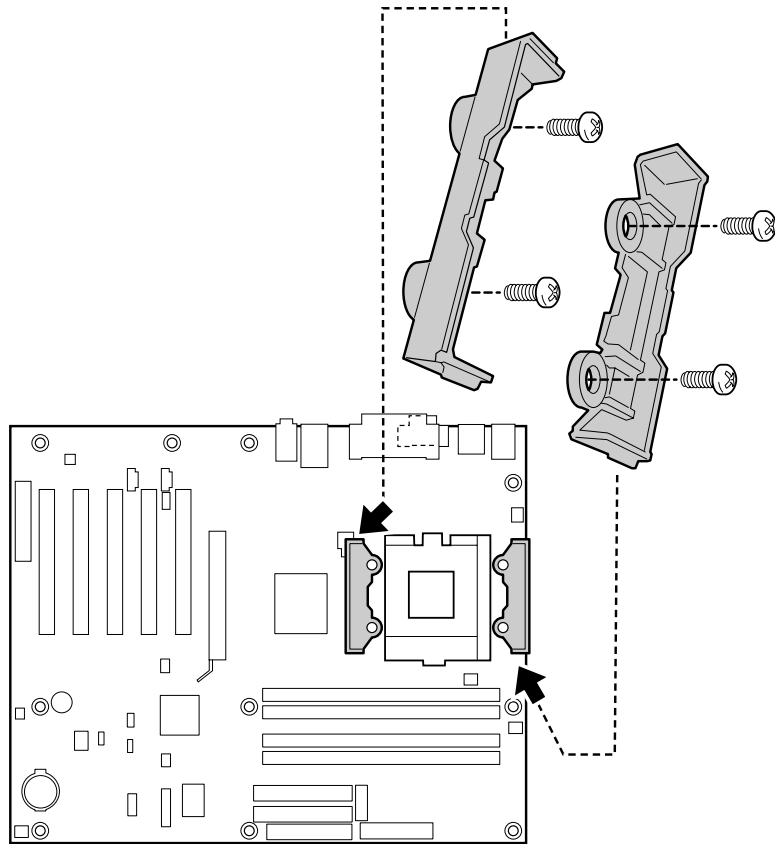
#### 4 安装处理器固定装置

- 1 用机箱制造商提供的四个螺丝将处理器固定装置固定到母板上。参见下图中处理器 RM 孔的位置。



OM11538

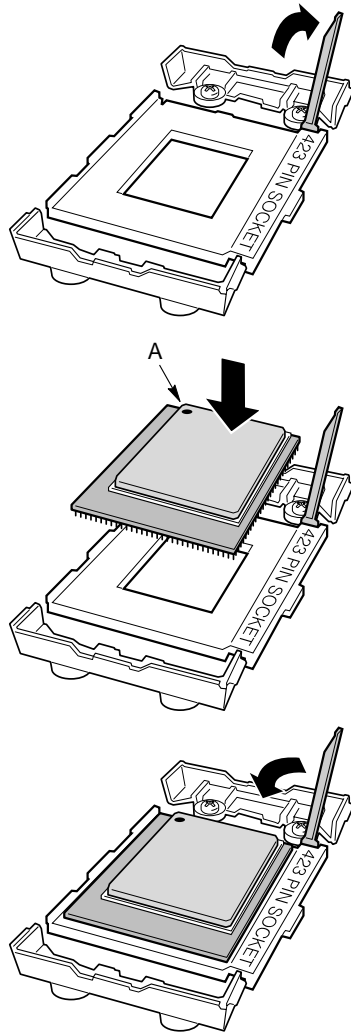
- 2 将 RM 中的孔与主板上的孔对准，将固定装置放在母板上。使用机箱制造商提供的螺丝，将固定装置装入机箱上的四个孔中。



OM11539

## 5 安装处理器

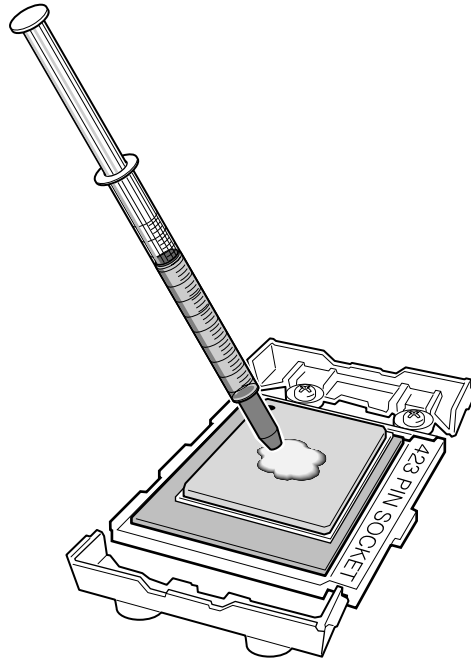
抬起处理器插座控制杆，安装处理器，使第一个引脚 (A) 与主板丝网上的第一个引脚位置对准，然后放低控制杆使其回到原始位置。



OM10633

## 6 对处理器涂热润滑油

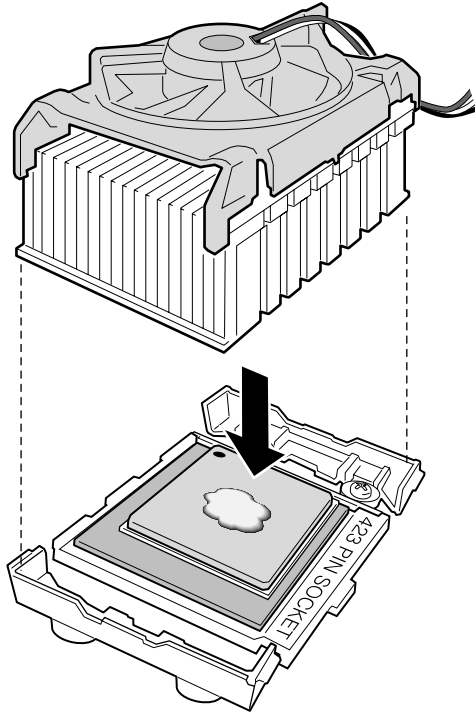
处理器包装中提供了热润滑油注射器。将注射器中约一半的热润滑油涂到处理器表面的中央部位。



OM10642

## 7 安装处理器风扇散热器

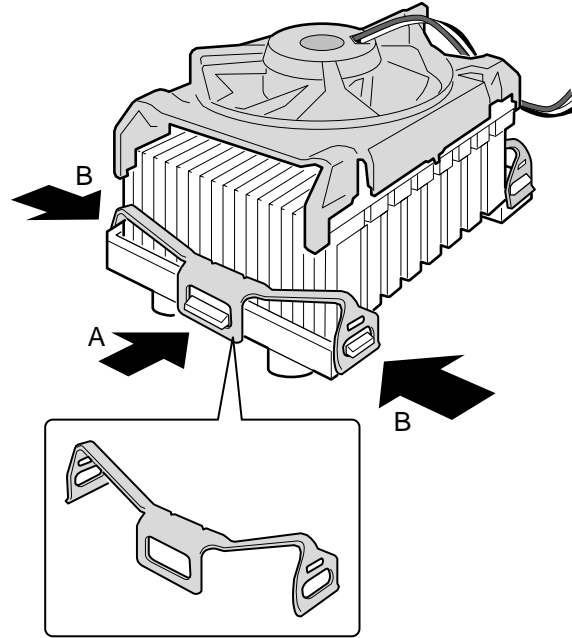
将风扇散热器放在处理器上，使风扇电缆朝向母板的右边。



OM10634

## 8 安装风扇散热器夹

将散热器夹 (B) 两端的开口连接到 RM 的突出部位上以安装夹子。然后将侧夹 (A) 固定到 RM 上，直到听见喀嚓一声。在风扇散热器的另一侧重复此过程。参见第 18 页的步骤 10，将处理器风扇电缆头连接到主板处理器风扇连接头上。



OM10643

## 9 安装内存模块



### 注意

在所有未使用的内存插座中均必须插入一个连续 RIMM (CRIMM)，否则主板将无法启动。

需要用力插入才能安装 RIMM。插入 RIMM 时要小心，以防主板弯曲。

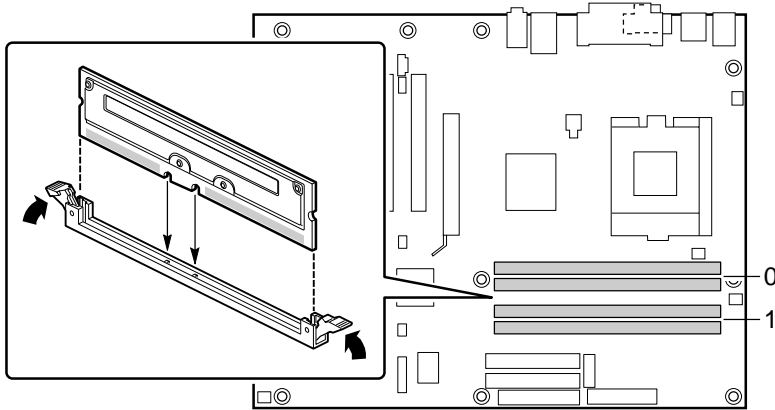


### 注释

RIMM 需成对安装（同样的速度、大小和密度）。

首先将 RIMM 装入槽 0。如果已达到所需的内存配置，将 CRIMM 插入槽 1。

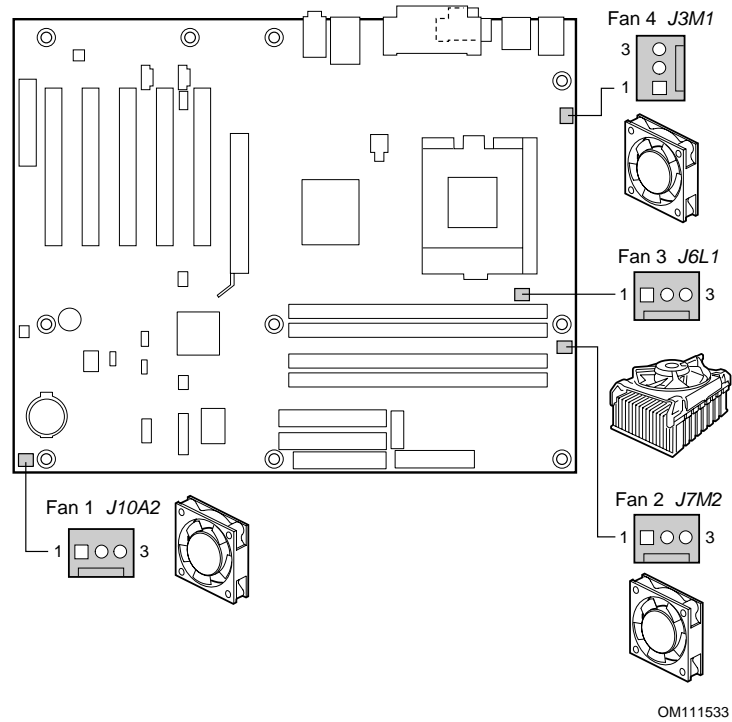
如果内存将安装到槽 1，要安装的 RIMM 模块的大小和密度必须彼此完全相同，且速度与槽 0 中 RIMM 模块的速度匹配。但是，RIMM 模块的大小和密度不必与槽 0 中 RIMM 模块相同。例如，若槽 0 有两个 PC800 RDRAM 的 128 MB RIMM，槽 1 也需要 PC800 RDRAM；但是，也可使用任何其所支持的 RIMM 模块，如 64 MB 或 192 MB。




OM11541

## 10 连接风扇

下图显示了风扇接头的位置。如果您正在安装带有源风扇散热器的处理器，将处理器的风扇电缆连接到标为 J6L1 的 motherboard 连接头上。将机箱风扇电缆连接到标为 J3M1、J7M2 和 J10A2 的 motherboard 连接头上。



## 11 安装 AGP 卡

 注释

D850GB/D850GBAL 主板仅与 1.5 V AGP 卡兼容。

按照以下说明安装带有固定槽口的 AGP 卡。

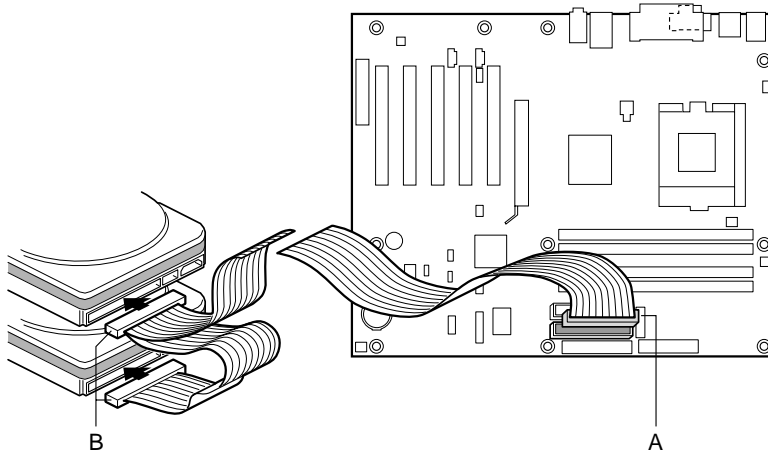
- 1 将 AGP 卡放入 AGP 接头。
- 2 向下按卡，直到它完全卡入接头且卡的固定槽口卡入 RM 下方为止（仅适用于 D850GB）。
- 3 用螺丝将卡的金属支架固定在机箱的后面板上。

## 12 用 Ultra ATA-66/100 电缆连接 IDE 硬盘驱动器

Intel® 盒装主板包装中有一根 40 触点 80 线 IDE 电缆。它用来将两个驱动器连接到母板上。此电缆支持 Ultra ATA-66/100 传输协议，并兼容使用较慢 IDE 传输协议的驱动器。

如下图所示，调整好电缆的方向，电缆才能正常工作。要使电缆发挥功能：

- 1 将电缆单连接头 (A) 的一端连接到母板上。
- 2 将电缆双连接头 (B) 的一端连接到驱动器上。



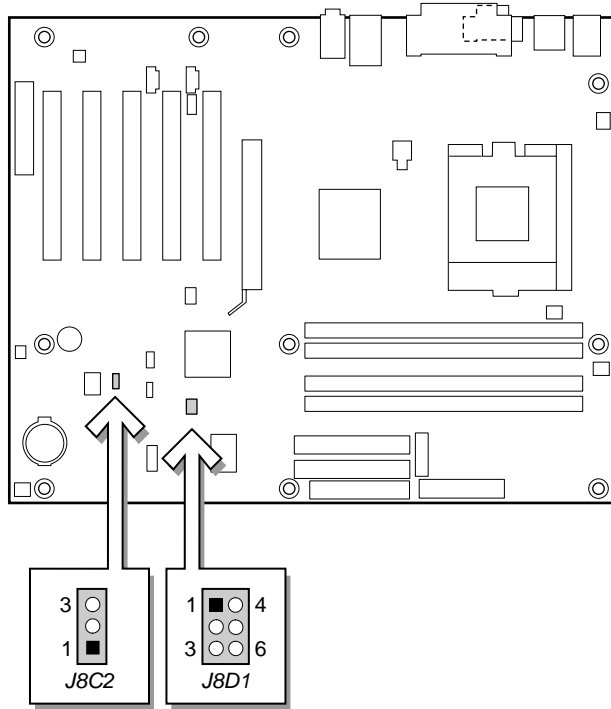
OM11544

## 设置 BIOS 配置和 USB 端口 2 布线跳线



注意

更改跳线前，一定要关闭电源并从计算机上拔下电源线。在电源接通时移动跳线可能导致计算机运行不可靠。



OM11545


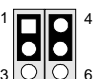
BIOS 的配置跳线决定 BIOS 设置程序的运行模式，并在 BIOS 升级失败时启用 BIOS 恢复。下表描述了 BIOS 设置程序配置跳线的跳线设置。

#### BIOS 设置配置跳线 (J8C2) 设置

跳线位置	模式	说明
 3 1	正常 (默认)	BIOS 使用当前配置和口令来启动系统。
 3 1	配置	开机自检 (POST) 运行后，BIOS 显示 Maintenance (维护) 菜单。此菜单用于清除口令。
 3 1	恢复	如果 BIOS 升级失败，BIOS 将从一张恢复软盘中恢复数据。要升级或恢复 BIOS，请参阅 CD-ROM 上《Intel 桌面主板 D850GB/D850GBAL 产品指南》中的说明。

USB 端口 2 布线跳线传递 USB 端口 2 的信号。下表描述了前面板 USB 连接头和 CNR 连接头的跳线设置（仅适用于 D850GB）。

#### USB 端口 2 布线跳线 (J8D1) 设置

跳线设置	配置
 4 3	USB 端口 2 信号被传递到前面板 USB 连接头。
 4 3	USB 端口 2 信号被传递到 CNR 连接头。

## BIOS 设置程序默认设置

下表是 BIOS 默认设置的部分列表。有关完整的列表，请参阅 CD-ROM 上的《Intel 桌面主板 D850GB/D850GBAL 产品指南》。

Maintenance (维护) 菜单*	默认设置
Clear All Passwords (清除所有口令)	无选项
Main (主) 菜单	默认设置
BIOS Version (BIOS 版本)	无选项
Processor Type (处理器类型)	无选项
Processor Speed (处理器速度)	无选项
System Bus Frequency (系统总线频率)	无选项
Cache RAM (高速缓存 RAM)	无选项
Total Memory (总内存)	无选项
RIMM 1	无选项
RIMM 2	
RIMM 3	
RIMM 4	
Languages (语言)	English (英语)
Memory Configuration (内存配置)	ECC
System Time (系统时间)	未设置
System Date (系统日期)	未设置
Advanced (高级) 菜单	默认设置
Extended Configuration (扩充配置)	不适用 **
PCI Configuration (PCI 配置) 子菜单	不适用 **
Boot Configuration (启动配置) 子菜单	不适用 **
Peripheral Configuration (外围设备配置) 子菜单	不适用 **
IDE Configuration (IDE 配置) 子菜单	不适用 **
Diskette Configuration (软盘配置) 子菜单	不适用 **
Event Log Configuration (事件日志配置) 子菜单	不适用 **
Video Configuration (视频配置) 子菜单	不适用 **
Security (安全) 菜单	默认设置
Supervisor Password is (管理员口令)	无选项
User Password is (用户口令)	无选项
Set Supervisor Password (设置管理员口令)	未设置
Set User Password (设置用户口令)	未设置

续后

BIOS 设置程序默认设置（接上页）

Power（电源）菜单	默认设置
Power Management （电源管理）	Enabled（启用）
Inactivity Timer （不活动计时器）	20 Minutes（20 分钟）
Hard Drive （硬盘驱动器）	Enabled（启用）
Video Power Down （视频电源关闭）	Disabled（禁用）
ACPI Suspend State （ACPI 暂停状态）	S1 State（S1 状态）
Boot（启动）菜单	默认设置
Quiet Boot（安静启动）	Enabled（启用）
Intel® Rapid BIOS Boot （Intel 快速 BIOS 启动）	Enabled（启用）
Scan User Flash Area （扫描用户快闪区域）	Disabled（禁用）
After Power Failure （断电故障之后）	Last State（上一次状态）
On Modem Ring （调制解调器振铃响应）	Stay Off（保持关闭）
On LAN（LAN 响应）	Power On（开机）
On PME（PME 响应）	Stay Off（保持关闭）
On ACPI S5（ACPI S5 响应）	Stay Off（保持关闭）
1 <sup>st</sup> Boot Device（第 1 启动设备）、 2 <sup>nd</sup> Boot Device（第 2 启动设备）、 3 <sup>rd</sup> Boot Device（第 3 启动设备）、 4 <sup>th</sup> Boot Device（第 4 启动设备）	不适用 **

\* 如要使用 Maintenance（维护）菜单，可将桌面主板上的配置跳线设为配置模式（请参阅第 21 页）。

\*\* 有关此子菜单下的默认设置和选项的详细内容，请参阅 CD-ROM 上的《Intel 桌面主板 D850GB/D850GBAL 产品指南》。

