



# Intel<sup>®</sup> Pentium<sup>®</sup> 4 Processor in 478-pin Package and Intel<sup>®</sup> 845G/845GL/845GV Chipset Platform

Design Guide Update

---

*August 2004*

**Notice:** The Intel<sup>®</sup> 845 chipset family may contain design defects or errors known as errata which may cause the product to deviate from published specifications. Current characterized errata are documented in the Specification Update.

Document Number: 251789-004



INFORMATION IN THIS DOCUMENT IS PROVIDED IN CONNECTION WITH INTEL® PRODUCTS. NO LICENSE, EXPRESS OR IMPLIED, BY ESTOPPEL OR OTHERWISE, TO ANY INTELLECTUAL PROPERTY RIGHTS IS GRANTED BY THIS DOCUMENT. EXCEPT AS PROVIDED IN INTEL'S TERMS AND CONDITIONS OF SALE FOR SUCH PRODUCTS, INTEL ASSUMES NO LIABILITY WHATSOEVER, AND INTEL DISCLAIMS ANY EXPRESS OR IMPLIED WARRANTY, RELATING TO SALE AND/OR USE OF INTEL PRODUCTS INCLUDING LIABILITY OR WARRANTIES RELATING TO FITNESS FOR A PARTICULAR PURPOSE, MERCHANTABILITY, OR INFRINGEMENT OF ANY PATENT, COPYRIGHT OR OTHER INTELLECTUAL PROPERTY RIGHT. Intel products are not intended for use in medical, life saving, or life sustaining applications.

Intel may make changes to specifications and product descriptions at any time, without notice.

Designers must not rely on the absence or characteristics of any features or instructions marked "reserved" or "undefined." Intel reserves these for future definition and shall have no responsibility whatsoever for conflicts or incompatibilities arising from future changes to them.

The Intel® Pentium 4 processor, 845G or 845GL chipsets may contain design defects or errors known as errata which may cause the product to deviate from published specifications. Current characterized errata are available on request.

Contact your local Intel sales office or your distributor to obtain the latest specifications and before placing your product order.

Intel, Pentium and the Intel logo are trademarks or registered trademarks of Intel Corporation or its subsidiaries in the United States and other countries.

\*Other names and brands may be claimed as the property of others.

Copyright © 2002–2004, Intel Corporation



# Contents

---

Contents .....	3
Revision History .....	4
Preface .....	5
General Design Considerations .....	7
Schematic, Layout, and Routing Updates .....	9
Documentation Changes .....	11

## Revision History

---

Rev.	Draft/Changes	Date
-001	Initial Release	June 2003
-002	Added Document Change #7, Replace Power Delivery Map in Section 14.1, Figures 174 and 175	September 2003
-003	Added Documentation Change #8, Revise Section 17.1.3, Schematic Checklist, Processor Connector/Intel ICH4 Items, PWRGOOD	March 2004
-004	Added Documentation Change 9-11	August 2004



## Preface

---

This public Design Guide Update document is an update to the specifications and information contained in the *Intel® Pentium® 4 Processor in 478-pin Package and Intel® 845G/845GL/845GV Chipset Platform Design Guide*, October 2002, Document Number 298654-002. This Design Guide Update may reference other documents listed in the following Affected Documents/Related Documents table. This document is a compilation of updates to the general design considerations; schematic, layout, and routing updates; and documentation changes. This document is intended for hardware system manufacturers and for software developers of applications, operating systems, and tools. The design guide (and this design guide update) is primarily targeted at the PC market segment and was first published in 2002. Those using this design guide and update should check for device availability before designing in any of the components included in this document.

Information types defined in the Nomenclature section of this document are consolidated into the public design guide update document when the public design guide document is first published. This design guide update document contains a complete list of all known information types.

### Affected Documents

Document Title	Document Number
<i>Intel® Pentium® 4 Processor in 478-pin Package and Intel® 845G/845GL/845GV Chipset Platform Design Guide</i> , October, 2002	298654-002

### Related Documents

Document Title	Document Number
<i>Intel® 845G/845GL/845GV Chipset Datasheet, Intel® 82845G/82845GL/82845GV Graphics and Memory Controller Hub (GMCH)</i> , October 2002	290746-002
<i>Intel® 82801DB I/O Controller Hub 4 (ICH4) Datasheet</i> , May 2002	290744-001

## Nomenclature

**General Design Considerations** include system level considerations that the system designer should account for when developing hardware or software products using the Intel® 845G/845GL/845GV Chipset: 82845G/82845GL/82845GV Graphics and Memory Controller Hub (GMCH).

**Schematic, Layout, and Routing Updates** include suggested changes to the current published schematics or layout, including typos, errors, or omissions from the current published documents.

**Documentation Changes** include suggested changes to the current published design guide not including the above.

## Codes Used in Summary Table

Doc: Document change or update that will be implemented.

Shaded: This item is either new or modified from the previous version of the document.

NO.	Plans	GENERAL DESIGN CONSIDERATIONS
		There are no General Design Consideration changes in this Design Guide Update revision.

NO.	Plans	SCHEMATIC, LAYOUT, AND ROUTING UPDATES
1	Doc	The Intel® 845G Chipset GMCH Ball AB3 is a RSVD Ball and is a No-Connect (NC) Ball

NO.	Plans	DOCUMENTATION CHANGES
1	Doc	Corrected CLK 408 Pin Names
2	Doc	Replaced Section 9.1.4, Hub Interface HI_REF/HI_SWING HI_SWING, Generation/Distribution
3	Doc	Modified Section 17.10.1, Intel® ICH4 Power and Ground Items Checklist
4	Doc	Changed Section 17.9.5, Intel® ICH4 System Bus / SMLink Interface Items Checklist
5	Doc	Changed the title of Section 10.10 to "Design and Layout Considerations for Intel® 82562EZ/ET/EX/EM"
6	Doc	Replaced Section 10.10.1, Intel® 82562EZ/ET/EX/EM Disable Guidelines
7	Doc	Replace Power Delivery Map in Section 14.1, Figures 174 and 175
8	Doc	Revise Section 17.1.3, Schematic Checklist, Processor Connector/Intel® ICH4 Items, PWRGOOD
9	Doc	Revise Section 10.8.1, RTC Crystal, to Figure 139 add Note 11
10	Doc	Revise Section 4.13.5, RTC External RTCRST# Circuit, Figure 4-40
11	Doc	Revise Section 6.3, Power-Well Isolation Control Requirement



## ***General Design Considerations***

---

There are no General Design Considerations in this Design Guide Update revision.

This page is intentionally left blank.





# Schematic, Layout, and Routing Updates

---

## 1. **The Intel® 845G Chipset GMCH Ball AB3 is a RSVD Ball and is a No-Connect (NC) Ball**

Reference sheet 11 of the *Intel® 845G DDR Schematics, Rev 2.0*, which is *Appendix A, Customer Reference Board Schematics*, of the *Intel® Pentium® 4 Processor in 478-pin Package and Intel® 845G/845GL/845GV Chipset Platform Design Guide*, document number 298654-002.

Also reference sheet 11 of the *Intel® 845G SDR Schematics, Rev 2.0*, which is *Appendix A2, Customer Reference Board Schematics*, of the *Intel® Pentium® 4 Processor in 478-pin Package and Intel® 845G/845GL/845GV Chipset Platform Design Guide*, document number 298654-002.

IC U6D1, block 5 of 5 of the 845G device, on the right side of both the DDR and SDR sheet 11 schematics, show ball AB3 in the lower left corner of block 5 of 5 as a RSVD pin with an input from sheet 77 and/or sheet 76 of the schematics. This is incorrect. There are no sheets 76 or 77 in the schematics.

AB3 is a RSVD ball and should be left as no-connect (NC) ball.

This page is intentionally left blank.



# Documentation Changes

## 1. CLK408 Pin Names

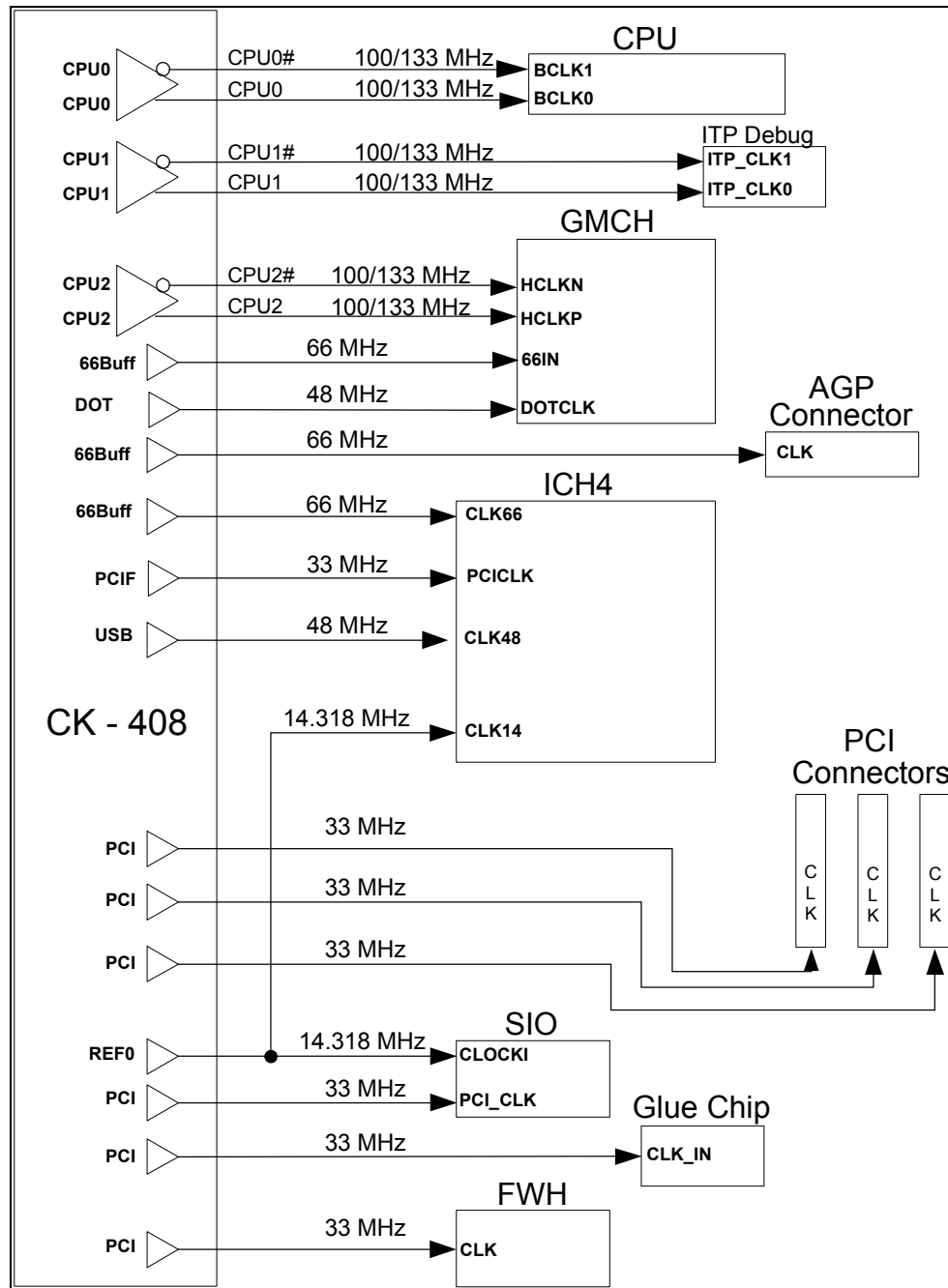
(1) Reference Section 13, Platform Clock Routing Guidelines. Replace Table 88, Platform System Clock Cross-Reference, with the following new table:

**Table 88. Platform System Clock Cross-Reference**

Clock Group	CK-408 Pin	Component	Component Pin Name
HOST_CLK	CPU0	CPU	BCLK0
	CPU0#	CPU	BCLK1
	CPU1	ITP Debug Port	BCK
	CPU1#	ITP Debug Port	BCK#
	CPU2	GMCH	HCLKP
	CPU2#	GMCH	HCLKN
DOT_CLK	DOT_48 MHz	GMCH	DREFCLK
CLK66	3V66	GMCH	GCLKIN
		ICH4	CLK66
AGPCLK	3V66	AGP Connector or AGP Device	AGPCLK
CLK33	PCIF	ICH4	PCICLK
	PCI	SIO	PCI_CLK
	3V66	Glue Chip	CLK_IN
	PCI	FWH/Flash BIOS	CLK
CLK14	REF0	ICH4	CLK14
		SIO	CLOCKI
PCICLK	PCI	PCI Connector #1	CLK
		PCI Connector #2	CLK
		PCI Connector #3	CLK
USBCLK	USB_48MHz	ICH4	CLK48

(2) Replace Figure 156, Platform Clocking Block Diagram, with the following new diagram:

**Figure 156. Platform Clocking Block Diagram**





- (3) Reference Section 17.8, Clock Interface CK\_408 Items. Replace the CPU2 and CPU2# Checklist Items with the following:

CPU2	<ul style="list-style-type: none"><li>• Connect to <b>HCLKP</b> in GMCH</li><li>• Connect to a series <math>27.4 \Omega \pm 1\%</math> resistor and terminate to GND through a <math>49.9 \Omega \pm 1\%</math> resistor</li></ul>	Host Clock Group Refer to Section 13.2.1.
CPU2#	<ul style="list-style-type: none"><li>• Connect to <b>HCLKN</b> in GMCH</li><li>• Connect to a series <math>27.4 \Omega \pm 1\%</math> resistor and terminate to GND through a <math>49.9 \Omega \pm 1\%</math> resistor</li></ul>	Host Clock Group Refer to Section 13.2.1.

**2. Replace Section 9.1.4, Hub Interface HI\_REF/HI SWING HI\_SWING, Generation/Distribution**

Replace Section 9.1.4, Hub Interface HI\_REF/HI\_SWING Generation/Distribution with the following new section. The new material includes a new Table 64 and new figures 107 and 108.

### 9.1.4 Hub Interface HI\_REF/HI\_SWING Generation/Distribution

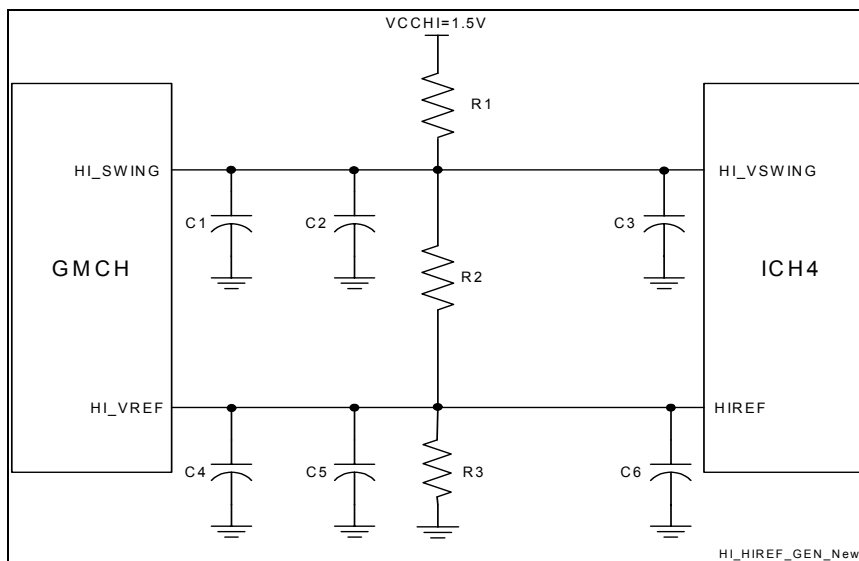
HI\_REF is the Hub Interface reference voltage. The ICH4 uses HI\_VSWING to control voltage swing and impedance strength of the hub interface buffers. The GMCH HI\_REF and HI\_SWING voltage requirement and associated resistor/capacitor recommendations for the voltage divider circuit are listed in Table 64. Only one of the two HI\_VSWING values (700mV or 800mV) should be used. It is suggested that 800mV be used on new designs. Any new design using either 700mV or 800mV should be validated.

**Table 64. Hub Interface HI\_REF/HI\_VSWING Generation Circuit Specifications**

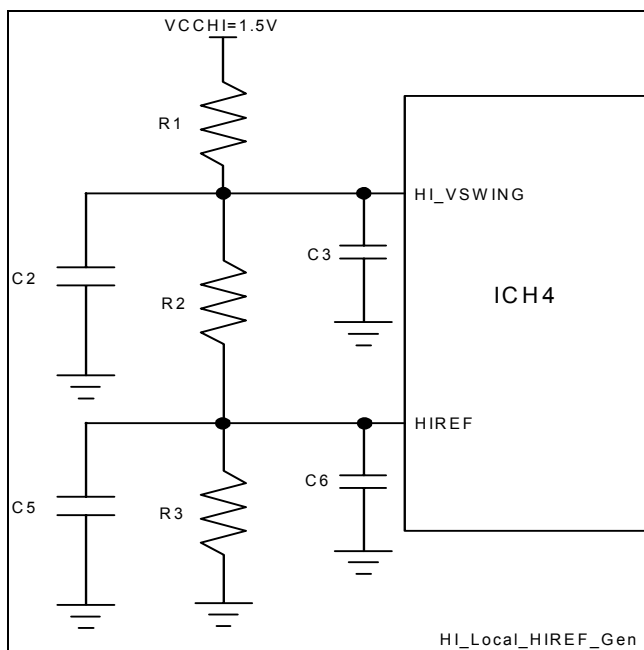
HIREF (V)	Recommended Values for the HIREF / HI_VSWING Divider Circuit ( $\Omega$ )	
350 mV +/- 2% at 1.5V nominal	<b>Using HI_VSWING Spec of 800mV +/- 2% at 1.5V nominal (Recommended)</b>	<b>Using HI_VSWING Spec of 700mV +/- 2% at 1.5V nominal (Requires System Validation)</b>
	Option 1 (Figure 107and Figure 108) R1 = 226 $\Omega \pm 1\%$ , R2 = 147 $\Omega \pm 1\%$ , R3 = 113 $\Omega \pm 1\%$  Option 2 (Figure 107and Figure 108) R1 = 80.6 $\Omega \pm 1\%$ , R2 = 51.1 $\Omega \pm 1\%$ , R3 = 40.2 $\Omega \pm 1\%$  Option 3 (Figure 107and Figure 108) R1 = 255 $\Omega \pm 1\%$ , R2 = 162 $\Omega \pm 1\%$ , R3 = 127 $\Omega \pm 1\%$  Capacitance Values For All Options C1 and C3 = 0.1uF (near divider) C2, C4, C5, C6 = 0.01uF (near component)	Option 1 (Figure 107and Figure 108) R1 = 226 $\Omega \pm 1\%$ , R2 = 100 $\Omega \pm 1\%$ , R3 = 100 $\Omega \pm 1\%$  Other options are available using Figure 107 and Figure 108 by changing resistor values to achieve the correct voltage.          Capacitance Values For All Options C1 and C3 = 0.1uF (near divider) C2, C4, C5, C6 = 0.01uF (near component)

The resistor values, R1, R2, and R3, must be rated at 1% tolerance. The selected resistor values ensure that the reference voltage tolerance is maintained over the input leakage specification. Two 0.1  $\mu$ F capacitors (C2, C5) should be placed close the divider. In addition, the 0.01  $\mu$ F bypass capacitors (C1, C3, C4, C6) should be placed within 0.25” of the component HI\_REF/VREF pin (for C3 and C4) and HI\_SWING pin (for C1 and C6). The max distance from the voltage divider resistor network to the device is 4” (less is better). Normal care must be taken to minimize crosstalk to other signals (< 10–15 mV). Two examples of the HI\_REF/HI\_VSWING voltage divider circuits are figure 107 and figure 108. If the single HI\_REF/HI\_SWING divider circuit is located more than 4 inches away from the divider network, the locally generated reference divider (figure 108) should be used.

**Figure 107. Hub Interface Single HI\_REF/HI\_SWING Generation Circuit**



**Figure 108. Hub Interface Local HI\_REF/HI\_SWING Generation Circuit (Intel® ICH4 side)**



### 3. **Section 17.10.1, Intel® ICH4 Power and Ground Items Checklist**

Reference Section 17.10.1, Intel® ICH4 Power and Ground Items Checklist.

- (1) In the “Reason/Impact/Documentation” section of the V5\_REF Checklist Item, add the following: “V5\_REF must be connected properly for USB2 to work.”
- (2) In the “Reason/Impact/Documentation” section of the V5\_REF\_Sus Checklist Item, add the following: “V5\_REF\_Sus must be connected properly for USB2 to work.”

### 4. **Section 17.9.5, Intel® ICH4 System Bus / SMLink Interface Items Checklist**

Change the “Recommendation” of the INTRUDER# Checklist Item to: “This signal requires a very weak pull-up to the RTC power well. Pull signal to VCCRTC (VBAT) through a 330K Ohm resistor.”

### 5. **Section 10.10 Title is Changed to “Design and Layout Considerations for Intel® 82562EZ/ET/EX/EM”**

Change the title of Section 10.10 show the correct title shown above.

### 6. **Section 10.10.1, Intel® 82562EZ/ET/EX/EM Disable Guidelines**

Section 10.10.1, Intel® 82562EZ/ET/EX/EM Disable Guidelines, is replaced with the following:

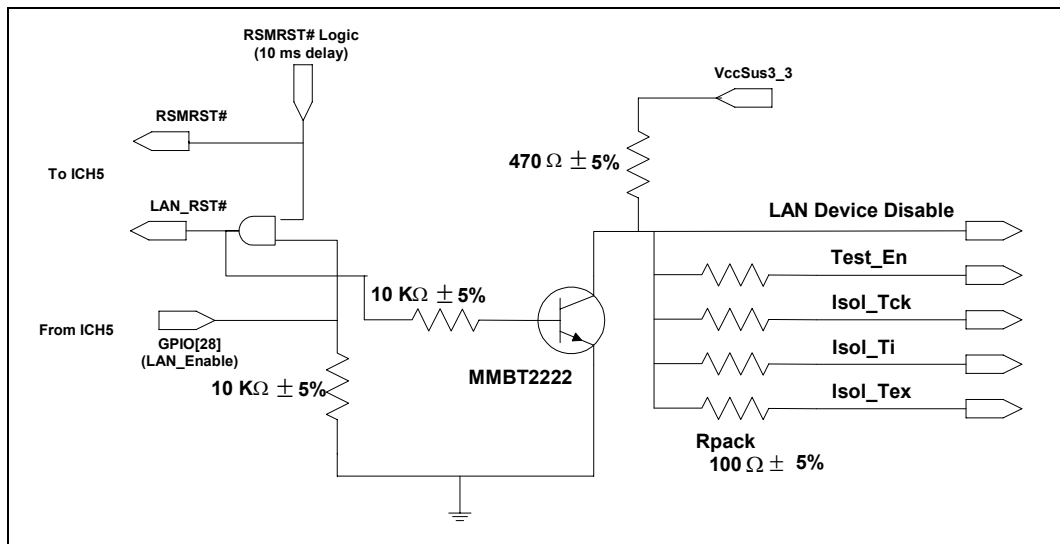
#### **10.10.1 Intel® 82562EZ/ET/EX/EM Disable / Power Down Guidelines**

To power down the Intel® 82562EZ/ET/EX/EM, the device must be isolated (disabled) prior to or during reset (LAN\_RST#) asserting. Using a GPIO, such as GPIO[28] to be LAN\_Enable (enabled high), LAN will default to enabled on initial power-up and after an AC power loss, since GPIO[28] is high during and after reset. The example circuit shown below will correct this behavior. The BIOS controlling the GPIO can disable the LAN PHY.

Note: LAN\_RST# needs to be held low for 10 ms after power is stable. It is assumed that the RSMRST# logic will provide this delay. Because GPIO[28] will default to high on power up, an AND gate has been implemented to ensure the required delay for LAN\_RST# is met.



Figure 149. Example Intel® 82562EZ/ET/EX/EM Disable/Power Down Circuitry



There are 4 pins which are used to put the Intel® 82562EZ/ET/EX/EM controller in different operating states: Test\_En, Isol\_Tck, Isol\_Ti, and Isol\_Tex. The table below describes the operational/disable features for this design.

The four control signals shown in the below table should be configured as follows:

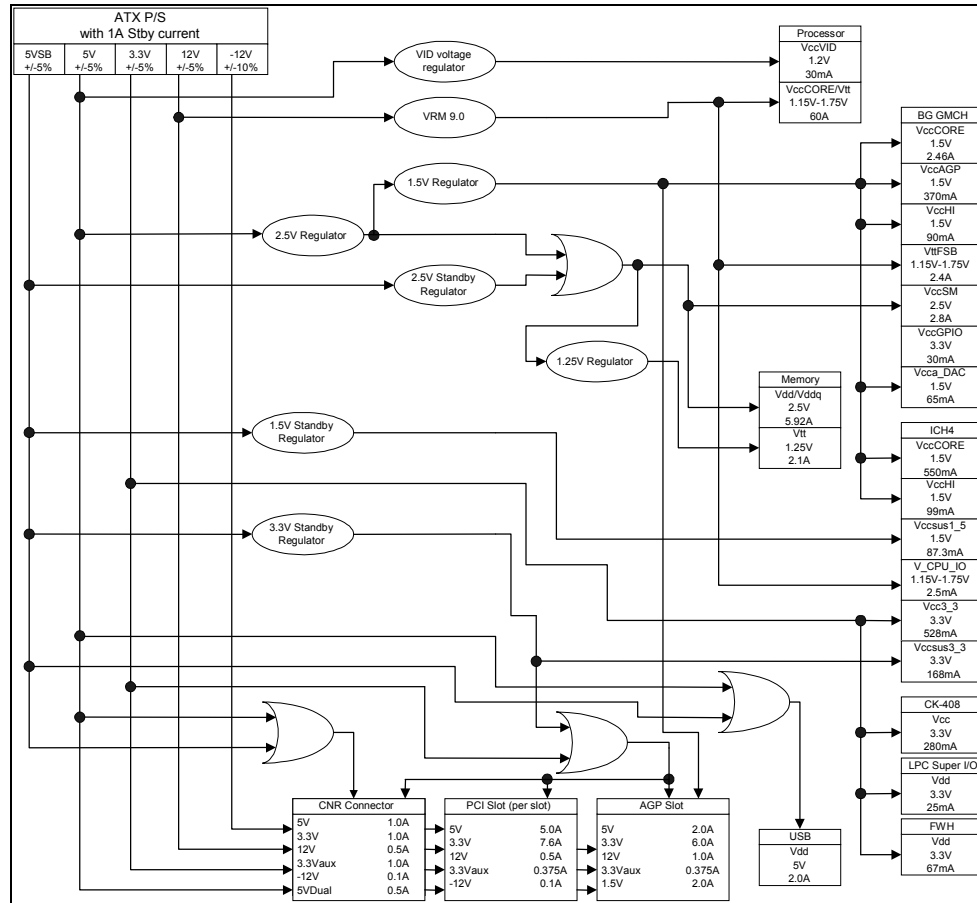
- Test\_En should be pulled-down thru a 100-ohm resistor.
- The remaining 3 control signals should each be connected thru 100-ohm series resistors to the common node “Intel® 82562EZ/ET/EX/EM \_Disable” of the disable circuit.

Table 85. Intel® 82562EZ/ET/EX/EM Control Signals

Test_En	Isol_Tck	Isol_Ti	Isol_Tex	State
0	0	0	0	Enabled
0	1	1	1	Disabled w/ Clock (low power)
1	1	1	1	Disabled w/out Clock (lowest power)

7. **Replace Power Delivery Map in Section 14.1, Figures 174 and 175**

Figure 174. Intel® 845G Chipset DDR Platform Power Delivery Map



8. **Revise Section 17.1.3, Schematic Checklist, Processor Connector/Intel® ICH4 Items, PWRGOOD**

Revise Section 17.1.3, Schematic Checklist, Processor Connector/Intel® ICH4 Items, PWRGOOD, Recommendation with the following:

Checklist Items	Recommendation
<b>PWRGOOD</b>	<p>Connects to CPUPWRGD on ICH4.</p> <p>Note that a weak pullup to VCCP (V_CPU_IO) is required and that such value should not exceed ICH4s loh2/loI2 specs.</p>



**9. Revise Section 10.8.1, RTC Crystal, Figure 139**

In Section 10.8.1, RTC Crystal, add Note 11 to Figure 139:

Note 11: The diodes should be Schottkey diodes.

**10. Revise Section 4.13.5, RTC External RTCRST# Circuit, Figure 4-40**

In Section 4.13.5, revise Figure 4-40 as follows:

The resistor and capacitor on RTCRST# should be changed to the following values:

R: 180k ohm to 20K ohm

C: 0.1uF to 1.0uF

**11. Revise Section 6.3, Power-Well Isolation Control Requirement**

In Section 6.3, Power-Well Isolation Control Requirement, replace the first sentence with the following:

The RSMRST# signal of the ICH4 must transition from 20% signal level to 80% signal level and vice-versa in 50uS **or less**.